

# HR-G1100 Generator



**JOHN DEERE**

**OPERATOR'S  
MANUAL**



# Introduction

THANK YOU for purchasing a John Deere product.

READ THIS MANUAL carefully to learn how to operate and service your machine correctly. Failure to do so could result in personal injury or equipment damage. This manual and safety signs on your machine may also be available in other languages. (See your John Deere dealer to order.)

THIS MANUAL SHOULD BE CONSIDERED a permanent part of your machine and should remain with the machine when you sell it.

MEASUREMENTS in this manual are given in both metric and customary U.S. unit equivalents. Use only correct replacement parts and fasteners. Metric and inch fasteners may require a specific metric or inch wrench.

RIGHT HAND AND LEFT HAND sides are determined by facing the control panel end of the machine.

The SERIAL NUMBER is located in the Specification or Identification Numbers section. Accurately record all the numbers to help in tracing the machine should it be stolen. Your dealer also needs these numbers when you order parts. File the identification numbers in a secure place off the machine.

WARRANTY is provided from your John Deere dealer for customers who operate and maintain their equipment as described in this manual. The warranty is explained on the warranty certificate shown in this manual.

This warranty provides you the assurance that your dealer will back products where defects appear within the warranty period. Should the equipment be abused, or modified to change its performance beyond the original factory specifications, the warranty will become void.



## WARNING

The engine exhaust from this product contains chemicals known to the State of California to cause cancer, birth defects or other reproductive harm.

## WARNING

This product contains one or more chemicals known to the State of California to cause cancer and birth defects or other reproductive harm.

## Introduction

### NOTICE

FEDERAL EMISSION COMPONENT DEFECT WARRANTY and CALIFORNIA EMISSION CONTROL WARRANTY are applicable to only those engines / generators complied with EPA (Environmental Protection Agency) and CARB (California Air Resources Board) emission regulations in the U.S.A.

### NOTICE

To the engines / generators exported to and used in the countries other than the U.S.A., warranty service shall be performed by the distributor in each country in accordance with the standard Robin engine / generator warranty policy as applicable.

### AIR INDEX

To show compliance with California emission regulations, a hang tag has been provided displaying the Air Index level and durability period of this engine.

The Air Index level defines how clean an engine's exhaust is over a period of time. A bar graph scaled from "0" (most clean) to "10" (least clean) is used to show an engine's Air Index level. A lower Air Index level represents cleaner exhaust from an engine.

The period of time (in hours) that the Air Index level is measured is known as the durability period. Depending on the size of the engine, a selection of time periods can be used to measure the Air Index level (see below).

<b>Descriptive Term</b>	<b>Applicable to Emissions Durability Period</b>
Moderate:	50 hours (engine from 0 to 80 cc) 125 hours (engine greater than 80 cc)
Intermediate:	125 hours (engine from 0 to 80 cc) 250 hours (engine greater than 80 cc)
Extended:	300 hours (engine from 0 to 80 cc) 500 hours (engine greater than 80 cc)

Notice: This hang tag must remain on the engine or piece of equipment, and only be removed by the ultimate purchaser before operation.

## FEDERAL EMISSIONS COMPONENT DEFECT WARRANTY

**EMISSIONS COMPONENT DEFECT WARRANTY COVERAGE** -- This emission warranty is applicable in all States, except the state of California.

Fuji Heavy Industries Ltd. and Robin America Inc., Wood Dale Illinois, (herein "ROBIN AMERICA") warrant(s) to the initial retail purchaser and each subsequent owner, that this Non-road engine (herein "engine") has been designed, built, and equipped to conform at the time of initial sale to all applicable regulations of the U.S.

Environmental Protection Agency (EPA), and that the engine is free of defects in materials and workmanship which would cause this engine to fail to conform with EPA regulations during its warranty period.

For the components listed under PARTS COVERED, the service dealer authorized by ROBIN AMERICA will, at no cost to you, make the necessary diagnosis, repair, or replacement necessary to ensure that the engine complies with applicable U.S. EPA regulations.

### EMISSIONS COMPONENT DEFECT WARRANTY PERIOD

The warranty period for this engine begins on the date of sale to the initial purchaser and continues for a period of two years.

### PARTS COVERED

Listed below are the parts covered by the Emission Components Defect Warranty. Some of the parts listed below may require scheduled maintenance and are warranted up to the first scheduled replacement point for that part.

1. Fuel Metering System
  - a. Carburetor and internal parts (and / or pressure regulator or fuel injection system).
  - b. Air / fuel ratio feedback and control system, if applicable.
  - c. Cold start enrichment system, if applicable.
  - d. Regulator assembly (gasoline fuel, if applicable).
2. Air Induction System
  - a. Intake manifold, if applicable.
  - b. Air filter.
3. Ignition System
  - a. Spark plugs.
  - b. Magneto or electronic ignition system.
  - c. Spark advance / retard system, if applicable.
4. Exhaust manifold, if applicable.
5. Miscellaneous items used in above systems.
  - a. Electronic controls, if applicable.
  - b. Hoses, belts, connectors, and assemblies.
  - c. Filter lock assembly (gaseous fuel, if applicable).

### OBTAINING WARRANTY SERVICE

To obtain warranty service, take your engine to the nearest authorized Robin America. Bring your sales receipts indicating date of purchase for this engine. The service dealer authorized by ROBIN AMERICA will perform the necessary repairs or adjustments within a reasonable amount of time and furnish you with a copy of the repair order. All parts and accessories replaced under this warranty become the property of ROBIN AMERICA.

### WHAT IS NOT COVERED

Conditions resulting from tampering, misuse, improper adjustment (unless they were made by the service dealer authorized by ROBIN AMERICA during a warranty repair), alteration, accident, failure to use the recommended fuel and oil, or not performing required maintenance services.

The replacement parts used for required maintenance services.

Consequential damages such as loss of time, inconvenience, loss of use of the engine or equipment, etc.

Diagnosis and inspection charges that do not result in warranty-eligible service being performed.

Any non-authorized replacement part, or malfunction of authorized parts due to use of non-authorized parts.

### OWNER'S WARRANTY RESPONSIBILITIES

As the engine owner, you are responsible for the performance of the required maintenance listed in your owner's manual. ROBIN AMERICA recommends that you retain all receipts covering maintenance on your engine, but ROBIN AMERICA cannot deny warranty solely for the lack of receipts or for your failure to ensure the performance of all scheduled maintenance.

As the engine owner, you should however be aware that ROBIN AMERICA may deny warranty coverage if your engine or a part has failed due to abuse, neglect, improper maintenance or unapproved modifications.

You are responsible for the presenting your engine to the nearest service dealer authorized by ROBIN AMERICA when a problem exists.

If you have any questions regarding your warranty rights and responsibilities, you should contact the ROBIN AMERICA customer service department at 1-630-350-8200 for the information.

### THINGS YOU SHOULD KNOW ABOUT THE EMISSION CONTROL SYSTEM WARRANTY MAINTENANCE AND REPAIRS

You are responsible for the proper maintenance of the engine. You should keep all receipts and maintenance records covering the performance of regular maintenance in the event questions arise. These receipts and maintenance records should be transferred to each subsequent owner of the engine. ROBIN AMERICA reserves the right to deny warranty coverage if the engine has not been properly maintained. Warranty claims will not be denied, however, solely because of the lack of required maintenance or failure to keep maintenance records.

MAINTENANCE, REPLACEMENT OR REPAIR OF EMISSION CONTROL DEVICES AND SYSTEMS MAY BE PERFORMED BY ANY REPAIR ESTABLISHMENT OR INDIVIDUAL; HOWEVER, WARRANTY REPAIRS MUST BE PERFORMED BY A SERVICE DEALER AUTHORIZED BY ROBIN AMERICA. THE USE OF PARTS THAT ARE NOT EQUIVALENT IN PERFORMANCE AND DURABILITY TO AUTHORIZED PARTS MAY IMPAIR THE EFFECTIVENESS OF THE EMISSION CONTROL SYSTEM AND MAY HAVE A BEARING ON THE OUTCOME OF A WARRANTY CLAIM.

If other than the parts authorized by ROBIN AMERICA are used for maintenance replacements or for the repair of components affecting emission control, you should assure yourself that such parts are warranted by their manufacturer to be equivalent to the parts authorized by ROBIN AMERICA in their performance and durability.

### HOW TO MAKE A CLAIM

All repair qualifying under this limited warranty must be performed by a service dealer authorized by ROBIN AMERICA. In the event that any emission-related part is found to be defective during the warranty period, you shall notify ROBIN AMERICA customer service department at 1-630-350-8200 and you will be advised of the appropriate warranty service dealer or service providers where the warranty repair can be performed.

## CALIFORNIA EMISSION CONTROL WARRANTY STATEMENT YOUR WARRANTY RIGHTS AND OBLIGATIONS

The California Air Resources Board and Fuji Heavy Industries Ltd. (herein "FUJI") are pleased to explain the emission control system warranty on your 2005 and later Small Off-Road engine (herein "engine"). In California, new engine must be designed, built and equipped to meet the State's stringent anti-smog standards. FUJI must warrant the emission control system on your engine for the periods of time described below, provided there has been no abuse, neglect or improper maintenance of your engine. Your emission control system may include parts such as the carburetor or fuel-injection system, and the ignition system. Also included may be hoses, belts, connectors and other emission-related assemblies. Where a warrantable condition exists, ROBIN AMERICA will repair your engine at no cost to you including diagnosis, parts and labor.

### MANUFACTURER'S WARRANTY COVERAGE:

The 2005 and later engines are warranted for two (2) years. If any emission related part on your engine is defective, the part will be repaired or replaced by ROBIN AMERICA.

### OWNER'S WARRANTY RESPONSIBILITIES:

- As the engine owner, you are responsible for the performance of the required maintenance listed in your Owner's Manual. ROBIN AMERICA recommends that you retain all receipts covering maintenance on your engine, but FUJI cannot deny warranty solely for the lack of receipts or for your failure to ensure the performance of all scheduled maintenance.
- As the engine owner, you should however, be aware that FUJI may deny you warranty coverage if your engine or a part has failed due to abuse, neglect, improper maintenance or unapproved modifications.
- You are responsible for presenting your engine to a service dealer or warranty station authorized by ROBIN AMERICA Inc. 940 Lively Blvd., Wood Dale, IL 60191 (herein ROBIN AMERICA) as soon as a problem exists. The warranty repairs should be completed in a reasonable amount of time, not to exceed 30 days.

If you have any questions regarding your warranty rights and responsibilities, you should contact Robin America Inc. Customer Service Department at 1-630-350-8200.

### LIMITED WARRANTY on Emission Control Systems - California Only -

FUJI warrants to the owner of the 2005 and later engine that the engine (1) has been designed, built and equipped so as to conform at the time of manufacture with the applicable regulations of the California Air Resources Board, and (2) is free from defects in materials and workmanship that could cause it to fail to conform with those regulations as may be applicable in the terms and conditions stated below.

#### A. COMMENCEMENT DATE

The warranty period begins on the date the engine is delivered to a first retail purchaser.

#### B. LENGTH OF COVERAGE

FUJI warrants to a first retail purchaser and each subsequent purchaser that the engine is free from defects in materials and workmanship that cause the failure of a warranted emission-related part for a period of two (2) years after the date of delivery to the first retail purchaser.

#### C. WHAT IS COVERED

1. REPAIR OR REPLACEMENT PARTS  
Repairs and replacement of any warranted part will be performed at no charge to you by an authorized service dealer or a warranty station. You may contact the Robin America Inc. Customer Service Department at 1-630-350-8200 to obtain the name of the nearest appropriate location where your warranty repairs are performed.
2. WARRANTY PERIOD  
This warranty continues for a period of two (2) years and applies only to the repair, replacement or adjustment of the component parts that are not scheduled for replacement as required maintenance. Further, component parts which are scheduled only for regular inspection to the effect of "repair or replace as necessary" are warranty for the warranty period. Any warranted part which is scheduled for replacement as required maintenance is warranted for the period of time up to the first scheduled replacement point for that part.
3. DIAGNOSIS  
You will not be charged for diagnostic labor that leads to the determination that a warranted part is defective, if the diagnostic work is performed at an authorized service dealer or warranty station.
4. DAMAGES  
If a warranted part failed causing damage to the engine components, consult an warranty station.

#### D. WHAT IS NOT COVERED

1. This limited warranty does not cover any part which malfunctions, fails or is damaged due to failure to follow the maintenance and operating instructions set forth in the 2005 and later Owner's Manual including:
  - a. Improper maintenance of any warranted parts.
  - b. Improper installation, adjustment or repair of the engine or of any warranted part unless performed by an authorized service dealer.
  - c. Failure to follow recommendations on fuel use contained in the 2005 and later Owner's Manual.
  - d. Repairs performed outside of the authorized warranty service dealers.
  - e. Use of parts which are not authorized by FUJI.
2. Add-on or modified parts.  
This warranty does not cover any part that malfunctions, fails or is damaged due to alterations by changing, adding to or removing parts from the engine.
3. Expenses incurred by processing warranty-claims.  
FUJI, any authorized service dealer and warranty station shall not be liable for any loss of use of the engine, for any alternative usage, for any damage to goods, loss of time or inconvenience.

#### E. HOW TO FILE A CLAIM

All repairs qualifying under this Limited Warranty must be performed by a dealer who sold you the engine or warranty station authorized by ROBIN AMERICA. In the event that any emission-related part is found to be defective during the warranty period, you must notify the Robin America Inc. Customer Service Department at 1-630-350-8200 and you will be advised of the appropriate warranty service facilities where the warranty repair is to be performed.

## F. WHERE TO OBTAIN WARRANTY SERVICE

It is recommended that warranty service be performed by the authorized dealer who sold you the engine, although warranty service will be performed by any authorized service dealers or warranty stations anywhere in the United States.

When warranty repair is needed, the engine must be brought to an authorized service dealer or warranty station's place of business during normal business hours. In all cases, a reasonable time, not to exceed 30 days, must be allowed for the warranty repair to be completed after the engine is received by the authorized service dealer or warranty station.

## G. MAINTENANCE, REPLACEMENT AND REPAIR OF EMISSION-RELATED PARTS

Only warranted engine replacement parts approved by FUJI should be used in the performance of any warranty maintenance or repairs on emission-related parts. If other than authorized parts are used for maintenance, replacement or repair of components affecting emission control, you should assure yourself that such parts are warranted by their manufacturer to be equivalent to authorized parts in performance and durability. FUJI, however, assumes no liability under this warranty with respect to parts other than authorized parts. The use of non-authorized replacement parts does not invalidate the warranty on other components unless the non-authorized parts cause damage to warranted parts.

## I. MAINTENANCE STATEMENTS

It is your responsibility to have all scheduled inspection and maintenance services performed at the times recommended in the 2005 and later Owner's Manual and to retain proof that inspection and maintenance services are performed at the times when recommended. FUJI will not deny a warranty claim solely because you have no record of maintenance; however, FUJI may deny a warranty claim if your failure to perform required maintenance resulted in the failure of warranted part. The proof which you maintain should be given to each subsequent owner of the engine. You are responsible for performing the scheduled maintenance described below based on the procedures specified in the 2005 and later Owner's Manual. The scheduled maintenance below is based on a normal engine operating schedule.

### PROCEDURE:

1. Change engine oil.
2. Clean air cleaner (element).
3. Replace air cleaner element.
4. Clean and adjust spark plug and electrodes.

### INTERVAL:

1. Initial 20 hours and every 100 hours afterward.
2. Every 50 hours.
3. Every 200 hours.
4. Every 200 hours.

**NOTE:** More frequent maintenance may be necessary under dusty, dirty or severe conditions.

## H. PARTS COVERED UNDER THE CALIFORNIA EMISSIONS WARRANTY

1. Fuel Metering System
  - a. Carburetor and internal parts (and / or pressure regulator or fuel injection system).
  - b. Air / fuel ratio feedback and control system, if applicable.
  - c. Cold start enrichment system, if applicable.
  - d. Regulator assembly (gaseous fuel, if applicable).
2. Air Induction System
  - a. Intake manifold, if applicable.
  - b. Air filter.
3. Ignition System
  - a. Spark Plug.
  - b. Magneto or electronic ignition system.
  - c. Spark advance / retard system, if applicable.
4. Exhaust manifold, if applicable.
5. Miscellaneous items used in above systems.
  - a. Electronic controls, if applicable.
  - b. Hoses, belts, connectors, and assemblies.
  - c. Filter lock assembly (gaseous fuel, if applicable).

# Contents

	Page
<b>Safety</b> .....	9
<b>Safety Signs</b> .....	16
<b>Controls</b> .....	17
<b>Preparing the Generator</b> .....	20
<b>Operation</b> .....	25
<b>Troubleshooting</b> .....	31
<b>Service</b> .....	32
<b>Storage</b> .....	36
<b>Specifications</b> .....	37
<b>Wire Diagram</b> .....	38
<b>Warranty</b> .....	39-41
<b>Notes</b> .....	42

*All information, illustrations and specifications in this manual are based on the latest information available at the time of publication. The right is reserved to make changes at any time without notice.*

*Contents*



# Safety

## RECOGNIZE SAFETY INFORMATION

This is the safety alert symbol. When you see this symbol on your machine or in this manual, be alert to the potential for personal injury.

Follow recommended precautions and safe operating practices.



## UNDERSTAND SIGNAL WORDS

A signal word--DANGER, WARNING or CAUTION--is used with the safety-alert symbol. DANGER identifies the most serious hazards.

DANGER or WARNING safety signs are located near specific hazards. General precautions are listed on CAUTION safety signs. CAUTION also calls attention to safety messages in this manual.



## FOLLOW SAFETY INSTRUCTIONS

Carefully read all safety messages in this manual and safety signs on your machine. Keep safety signs in good condition. Replace missing or damaged safety signs. Be sure new equipment components and repair parts include the current safety signs. Replacement safety signs are available from your John Deere dealer.

Learn how to operate the machine and how to use controls properly. Do not let anyone operate without instruction.

Keep your machine in proper working condition. Unauthorized modifications to the machine may impair the function and/or safety and affect machine life.

If you do not understand any part of this manual and need assistance, contact your John Deere dealer.





## CARBON MONOXIDE - POISONOUS GAS

Use generator outdoors, away from open windows, vents, or doors. Keep generator at least 1 meter (3 feet) away from any structure or building during use.

**Generator exhaust contains carbon monoxide - a poisonous gas that can kill you. You CAN NOT smell or see this gas.**

Never use a generator in enclosed or partially-enclosed spaces. Generators can produce high levels of carbon monoxide very quickly. When you use a portable generator, remember that you cannot smell or see carbon monoxide. Even if you can't smell exhaust fumes, you may still be exposed to carbon monoxide.

If you start to feel sick, dizzy, or weak while using a generator, get to fresh air RIGHT AWAY. DO NOT DELAY. The carbon monoxide from generators can rapidly lead to full incapacitation and death.

If you experience serious symptoms, get medical attention immediately. Inform medical staff that carbon monoxide poisoning is suspected. If you experienced symptoms while indoors, have someone call the fire department to determine when it is safe to re-enter the building.

NEVER operate the generator in an explosive atmosphere, near combustible materials or where ventilation is not sufficient to carry away exhaust fumes. **Exhaust fumes can cause serious injury or death.**

NEVER use a generator indoors, including in homes, garages, basements, crawl spaces, and other enclosed or partially-enclosed areas, even with ventilation. Opening doors and windows or using fans will not prevent carbon monoxide build-up in the home.

Follow the instructions that come with your generator. Locate the unit outdoors and away from doors, windows, and vents that could allow the carbon monoxide gas to come indoors.

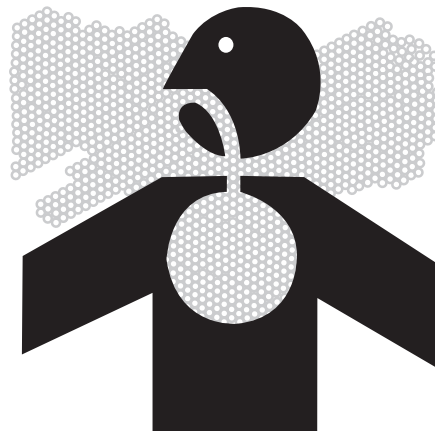
ONLY run generator outdoors and away from air intakes.

NEVER run generator inside homes, garages, sheds, or other semi-enclosed spaces. These spaces can trap poisonous gases EVEN IF you run a fan or open doors and windows.

If you start to feel sick, dizzy, or weak while using the generator, shut it off and get fresh air RIGHT AWAY. See a doctor. You may have carbon monoxide poisoning.

Install battery-operated carbon monoxide alarms or plug-in carbon monoxide alarms with battery back-up in your home, according to the manufacturer's installation instructions. The carbon monoxide alarms should be certified to the requirements of the latest safety standards for carbon monoxide alarms. (UL 2034, IAS 6-96, or CSA 6.19.01).

Test your carbon monoxide alarm frequently and replace dead batteries.





## SAFETY WARNING WHEN REFUELING

Gasoline is extremely flammable and its vapors can explode if ignited.

Observe all safety regulations for the safe handling of fuel. Handle fuel in safety containers. If the container does not have a spout, use a funnel.

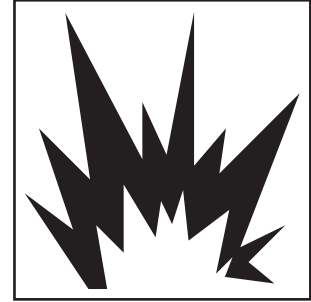
Do not overfill the fuel tank, leave room for the fuel to expand.

Do not refill fuel tank while the engine is running. Before refueling the generator, turn it off and let it cool down. Gasoline spilled on hot engine parts could ignite.

Fill the tank only on an area of bare ground. While fueling the tank, keep heat, sparks and open flame away. Carefully clean up any spilled fuel before starting engine.

Always fill fuel tank in an area with plenty of ventilation to avoid inhaling dangerous fumes.

NEVER store fuel for your generator in the home. Gasoline, propane, kerosene, and other flammable liquids should be stored outside of living areas in properly-labeled, non-glass safety containers. Do not store them near a fuel-burning appliance, such as a natural gas water heater in a garage. If the fuel is spilled or the container is not sealed properly, invisible vapors from the fuel can travel along the ground and can be ignited by the appliance's pilot light or by arcs from electric switches in the appliance.



## GROUND FAULT CIRCUIT INTERRUPTER PROTECTION

These generators are equipped with a GFCI (Ground Fault Circuit Interrupters) 120V duplex receptacles for protection against the hazards of electrical shock from defective attachments such as, tools, cords, and cables.



**WARNING: The GFCI may not function unless the generator is properly grounded. Follow the correct procedure specified in the section labeled "GROUNDING INSTRUCTIONS".**

A GFCI is a device that interrupts electricity from either the utility or generator by means of a special type of circuit breaker if a fault current flow to the ground occurs.

A GFCI can be used only with generators that have the neutral wire internally bonded to the frame, and the frame properly grounded to the earth. A GFCI will not work on generators that do not have the neutral wire bonded to the frame, or on generators which have not been properly grounded. All John Deere generators have internally bonded ground wires. A GFCI will not work if the unit is not properly grounded.

A GFCI may be required by OSHA regulations, the National Electric Code and/or local and federal codes when operating a generator.

For additional protections against shock hazards due to defective equipment attached to the twist-lock receptacles, consider the use of a GFCI on each of these receptacles as well.

GFCI and GFCI protected cord sets and cables may be purchased from local electrical supply houses.



## ELECTRICAL HAZARDS

This product must be grounded. If it should malfunction or breakdown, grounding provides a path of least resistance for electric current to reduce the risk of electric shock.

**! DANGER - IMPROPER CONNECTION OF THE EQUIPMENT-GROUNDING CONDUCTOR CAN RESULT IN A RISK OF ELECTROCUTION. CHECK WITH A QUALIFIED ELECTRICIAN OR SERVICE PERSON IF YOU ARE IN DOUBT AS TO WHETHER THE UNIT IS PROPERLY GROUNDED.**



This generator is equipped with a grounding terminal for your protection. Always complete the ground path from the generator to an external ground source as instructed in the section labeled “Grounding Instructions” in the Preparation section of this manual.

The generator is a potential source of electrical shock if not kept dry. Keep the generator dry and do not use in rain or wet conditions. To protect from moisture, operate it on a dry surface under an open, canopy-like structure. Dry your hands if wet before touching the generator.

Plug appliances directly into the generator. Or, use a heavy duty, outdoor-rated extension cord that is rated (in watts or amps) at least equal to the sum of the connected appliance loads. Check that the entire cord is free of cuts or tears and that the plug has all three prongs, especially a grounding pin.

NEVER try to power the house wiring by plugging the generator into a wall outlet, a practice known as “back feeding”. This is an extremely dangerous practice that presents an electrocution risk to utility workers and neighbors served by the same utility transformer. It also bypasses some of the built-in household circuit protection devices.

If you must connect the generator to the house wiring to power appliances, have a qualified electrician install the appropriate equipment in accordance with local electrical codes. Or, check with your utility company to see if it can install an appropriate power transfer switch.

For power outages, permanently installed stationary generators are better suited for providing backup power to the home. Even a properly connected portable generator can become overloaded. This may result in overheating or stressing the generator components, possibly leading to a generator failure.



## IMPORTANT SAFETY INSTRUCTIONS

**WARNING:** To reduce the risk of injury, read this operator's manual completely before using. When using this product, the following basic precautions should always be followed:

1. Read all the instructions before using the product.
2. Do not enclose the generator nor cover it with a box. The generator has a built-in forced air cooling system, and may become overheated if it is enclosed. If generator has been covered to protect it from the weather during non use, be sure to remove it and keep it well away from the area during generator use.
3. Operate the generator on a level surface. It is not necessary to prepare a special foundation for the generator. However, the generator will vibrate on an irregular surface, so choose a level place without surface irregularities.

If the generator is tilted or moved during operation, fuel may spill and/or the generator may tip over, causing a hazardous situation.

Proper lubrication cannot be expected if the generator is operated on a steep incline or slope. In such a case, piston seizure may occur even if the oil is above the upper level.

4. Pay attention to the wiring or extension cords from the generator to the connected device. If the wire is under the generator or in contact with a vibrating part, it may break and possibly cause a fire, generator burnout, or electric shock hazard. Replace damaged or worn cords immediately.
5. Do not operate in rain, in wet or damp conditions, or with wet hands. The operator may suffer severe electric shock if the generator is wet due to rain or snow.
6. If wet, wipe and dry it well before starting. Do not pour water directly over the generator, nor wash it with water.
7. Be extremely careful that all necessary electrical grounding procedures are followed during each and every use. Failure to do so can be fatal.
8. NEVER try to power the house wiring by plugging the generator into a wall outlet, a practice known as "back feeding". This is an extremely dangerous practice that presents an electrocution risk to utility workers and neighbors served by the same utility transformer. It also bypasses some of the built-in household circuit protection devices.

If you must connect the generator to the house wiring to power appliances, have a qualified electrician install the appropriate equipment in accordance with local electrical codes. Or, check with your utility company to see if it can install an appropriate power transfer switch.

9. No smoking while charging a battery. The battery emits flammable hydrogen gas, which can explode if exposed to electric arcing or open flame. Keep the area well-ventilated and keep open flames / sparks away when charging a battery.





## IMPORTANT SAFETY INSTRUCTIONS

10. Engine becomes extremely hot during and for some time after operation. Keep combustible materials well away from generator area. Be very careful not to touch any parts of the hot engine especially the muffler area or serious burns may result.
11. Keep children and all bystanders at a safe distance from work area.
12. It is absolutely essential that you know the safe and proper use of the power tool or appliance that you intend to use. All operators must read, understand and follow the tool / appliance owners manual. Tool and appliance applications and limitations must be understood. Follow all directions given on labels and warnings. Keep all instruction manuals and literature in a safe place for future reference.
13. Use only "LISTED" extension cords. When a tool or appliance is used outdoors, use only extension cords marked "For Outdoor Use". Extension cords, when not in use should be stored in a dry and well ventilated area.
14. Always disconnect tools or appliances when not in use, before servicing, adjusting, or installing accessories and attachments.



## SAVE THESE INSTRUCTIONS

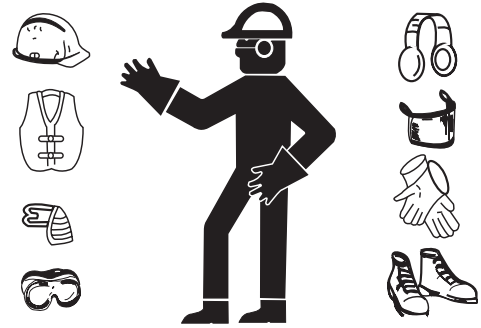


## WEAR PROTECTIVE CLOTHING

Wear close fitting clothing and safety equipment appropriate to the job.

Wear a suitable hearing protective device such as earmuffs or earplugs to protect against objectionable or uncomfortable loud noises.

Operating equipment safely requires the full attention of the operator. Do not wear radio or music headphones while operating machine.

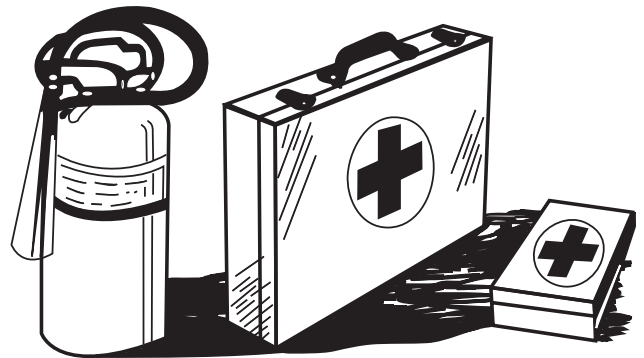


## PREPARE FOR EMERGENCIES

Keep a first aid kit and fire extinguisher handy.

Keep emergency numbers for doctors, ambulance service, hospital and fire department near your telephone.

Be prepared if a fire starts.



## INSPECT GENERATOR

Be sure all covers, guards and shields are tight and in place.

Locate all operating controls and safety labels.

Inspect power cord for damage before using. There is a hazard of electrical shock from crushing, cutting or heat damage.

## SERVICE GENERATOR SAFELY

Before servicing the generator, disconnect all equipment and allow unit to cool down.

Service generator in a clean dry flat area.

Make sure the engine is stopped before starting any maintenance servicing or repair.



## SAFETY SIGNS

In accordance with the European requirements (EEC Directives), the specified symbols as shown in the following table are used for the products and this instructions manual.



Read the operator's instruction manual.



Fire, open light and smoking prohibited.



Stay clear of the hot surface.



Caution, risk of electric shock.



Exhaust gas is poisonous.  
Do not operate in an unventilated room.



Do not connect the generator to the commercial power lines.



Stop the engine before refueling.



HOT, avoid touching the hot areas.



ON  
(power and Engine)



IN-position of a  
bistable push control



Engine start  
(Electric start)



OFF  
(power and Engine)



Protective earth  
(ground)



Engine stop



Alternating current



Fuse



Diesel fuel



Direct current



Engine oil



Fast



Plus ;  
positive polarity



Add oil



Slow



Minus ;  
negative polarity



Battery charging  
condition



Run



OUT-position of a  
bistable push control



Choke ;  
cold starting aid



Stop

$P_r$  Rated power (kW)

$COP$  Continuous power

$\cos \Phi_r$  Rated power factor

$f_r$  Rated frequency (Hz)

$U_r$  Rated voltage (V)

$I_r$  Rated current (A)

$H_{max}$  Maximum site altitude  
above sea-level (m)

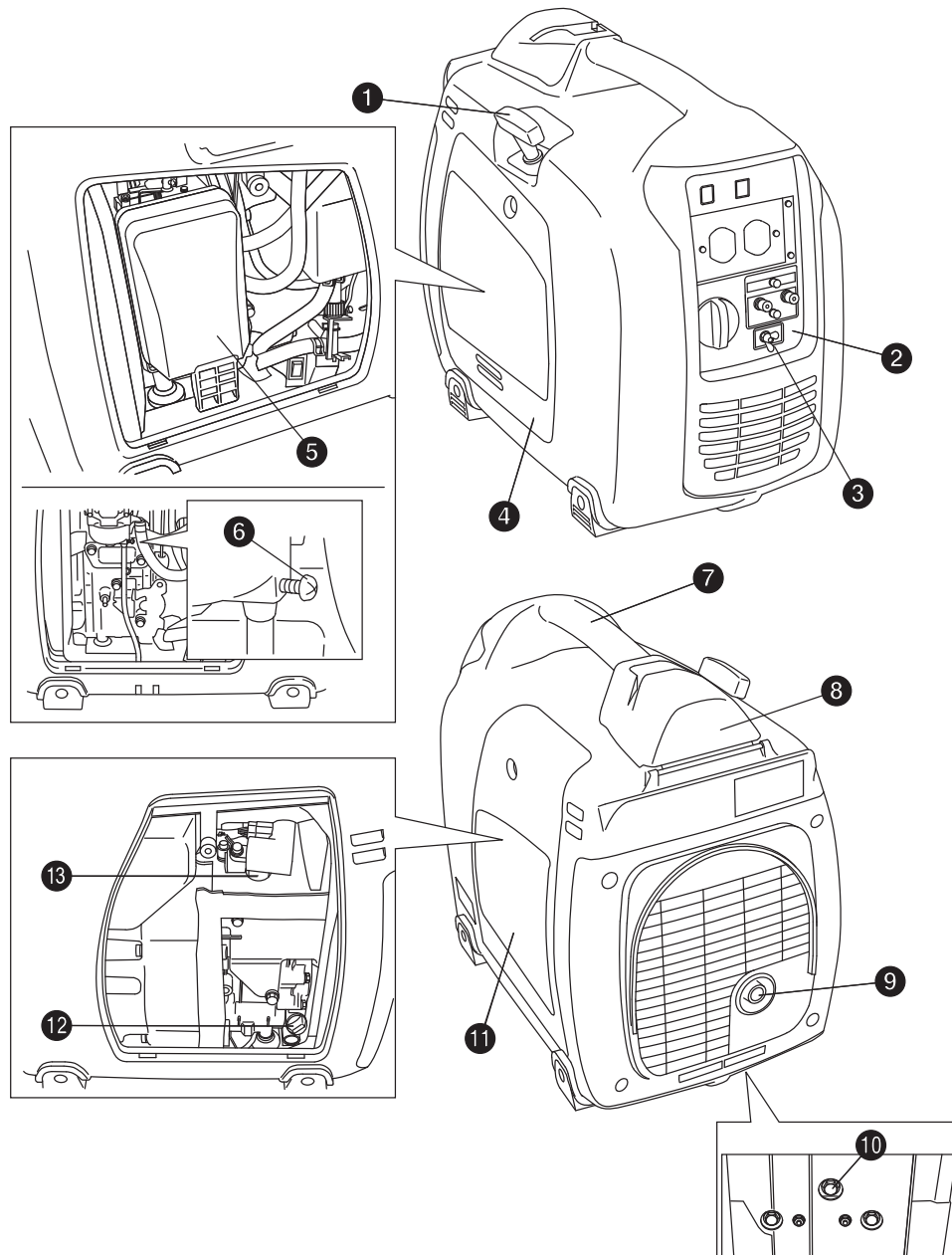
$T_{max}$  Maximum ambient  
temperature ( $^{\circ}C$ )

$m$  Mass (kg)



# Controls

## CONTROLS



1-- Recoil Starter  
2-- Control Panel  
3-- Ground Terminal

4-- Side Panel (L)  
5-- Air Cleaner  
6-- Fuel Drain Screw

7-- Carrying Handle  
8-- Tank Cap Cover  
9-- Exhaust Outlet

10-- Oil Drain Plug  
11-- Side Panel (R)  
12-- Oil Gauge  
13-- Spark Plug Cap

**CONTROLS**

**ENGINE SWITCH:** (Fig. 15)

The engine switch is designed for easy operation with the interlocking mechanism between the fuel valve and the choke.

**OUTPUT LAMP:** (Fig. 16)

These lamps are turned on in the following conditions:

Output Lamp (Green) --- The lamp is turned on while generating properly.

**Oil Sensor Lamp** --- (Fig. 17)

When the level of the engine oil falls below the prescribed value, the alarm lamp lights up and the engine stops automatically. When the engine stops due to oil shortage, it can not be started anymore even by pulling the recoil starter (just the alarm lamp flickers). In such a case, replenish engine oil. See "Pre-Operation; Engine Oil" on page 21.

**AC RECEPTACLES:** (Fig. 18)

AC electric power is available through this receptacle. Use a grounding type plug as shown on page 26, Table 1.

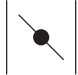


**WARNING: DO NOT PUT FOREIGN OBJECTS INTO THE PLUG RECEPTACLE.**

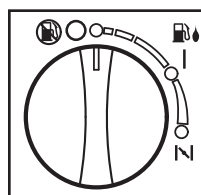
**CAUTION: DO NOT PLUG MORE THAN TWO APPLIANCES INTO THE GENERATOR AT A TIME.**

**DC TERMINAL:** (Fig. 19)

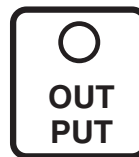
DC electric power for battery charging is available.

- Red is positive (+) terminal.
- Black is negative (-) terminal.

ENGINE SWITCHES	
<b>CHOKE</b> 	To start the engine, turn the knob to the position. (Choke valve is closed.)
<b>RUN</b> 	Keep the knob in this position after the engine starts. (The engine can be started with the knob at the position when the engine is warm.)
<b>STOP</b> 	To stop the engine, return the knob to the position. (The fuel cock is closed as well.)



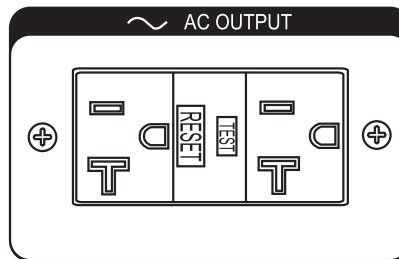
(Fig. 15)



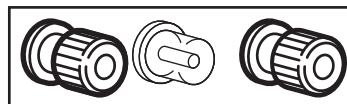
(Fig. 16)



(Fig. 17)



(Fig. 18)



(Fig. 19)

## CONTROLS

### DC CIRCUIT BREAKER: (Fig. 20)

DC circuit breaker shuts off electric current when the current exceeds its limit.

Check for excessive current consumption or defects in the appliance. After making sure everything is in order, push the button to the "ON" position.



**CAUTION: IF CIRCUIT BREAKER CONTINUES TO TRIP, CHECK APPLIANCE FOR DEFECT. IF GENERATOR IS MALFUNCTIONING, SEE YOUR AUTHORIZED JOHN DEERE SERVICE CENTER OR DEALER.**

**NEVER INTERFERE WITH THE OPERATION OF THE CIRCUIT BREAKER KNOB OR KEEP PUSHING IT IN THE "ON" POSITION.**

### RECOIL STARTER: (Fig. 21)

Pull this handle to start the generator.

### GROUND TERMINAL: (Fig. 22)

Terminal for grounding the generator.

### FUEL TANK CAP: (Fig. 23)

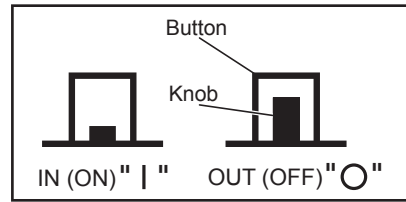
The fuel tank cap is located under the cover. To open the cover, lift up and towards the muffler end as shown in the illustration. Remove the fuel tank cap by turning counterclockwise.

### SIDE COVER: (Fig. 24)

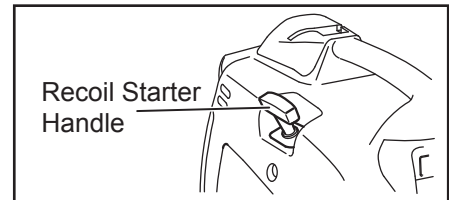
To access the following items for servicing, take the applicable side cover out by removing the screw with a screwdriver.

LH-Side Cover - Air cleaner, etc.

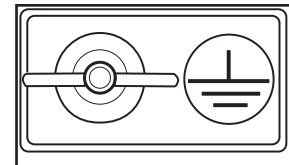
RH-Side Cover - Oil level gauge, Ignition Coil, Spark Plug, etc.



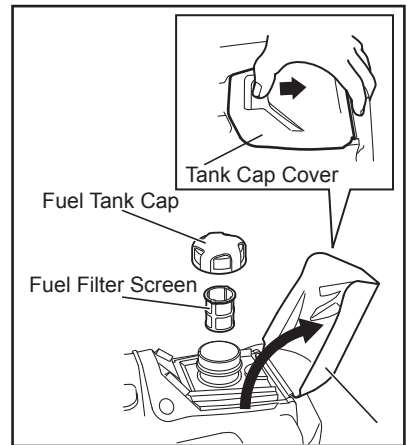
(Fig. 20)



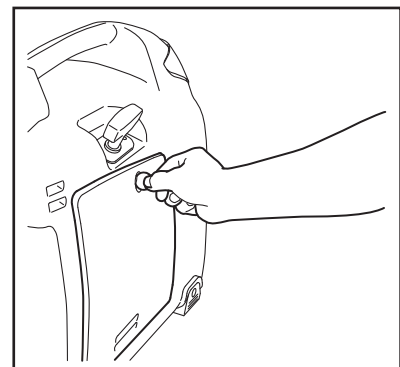
(Fig. 21)



(Fig. 22)



(Fig. 23)



(Fig. 24)

# Preparing the Generator

## GROUNDING INSTRUCTIONS

This product must be grounded. If it should malfunction or breakdown, grounding provides a path of least resistance for electric current to reduce the risk of electric shock.

**DANGER - IMPROPER CONNECTION OF THE EQUIPMENT-GROUNDING CONDUCTOR CAN RESULT IN A RISK OF ELECTROCUTION. CHECK WITH A QUALIFIED ELECTRICIAN OR SERVICE PERSON IF YOU ARE IN DOUBT AS TO WHETHER THE UNIT IS PROPERLY GROUNDED.**

The ground terminal on the frame must always be used to connect the generator to a suitable ground source. The ground path should be made with #8 size wire. Connect the grounding wire securely to the ground terminal. Connect the other end of the wire securely to a suitable ground source. (Fig. 1)

The National Electric Code contains several practical ways in which to establish a good ground source. Examples given below illustrate a few of the ways in which a good ground source may be established.

A metal underground water pipe in direct contact with the earth for at least 10 feet can be used as a grounding source. If a pipe is unavailable, an 8 foot length of pipe or rod may be used as the ground source. The pipe should be 3/4 inch trade size or larger and the outer surface must be noncorrosive. If a steel or iron rod is used it should be at least 5/8 inch diameter and if a nonferrous rod is used it should be at least 1/2 inch diameter and be listed as material for grounding. Drive the rod or pipe to a depth of 8 feet. If a rock bottom is encountered less than 4 feet down, bury the rod or pipe in a trench. All electrical tools and appliances operated from this generator, must be properly grounded by use of a third wire or be "Double Insulated".

It is recommended to:

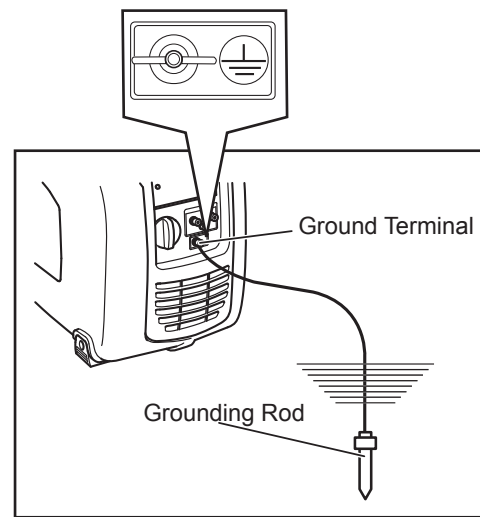
1. Use electrical devices with 3 prong power cords.
2. Use an extension cord with a 3 hole receptacle and a 3 prong plug at the opposite ends to ensure continuity of the ground protection from the generator to appliance.

We strongly recommend that all applicable federal, state and local regulations relating to grounding specifications be checked and followed.

## LINE TRANSFER SWITCH

If this generator is used for standby service, it must have a transfer switch between the utility power service and the generator. The transfer switch not only prevents the utility power from feeding into the generator, but is also prevents the generator from feeding out into the utility company's lines. This is intended to protect the serviceman who may be working on a damaged line.

**THIS INSTALLATION MUST BE DONE BY A LICENSED ELECTRICIAN AND ALL LOCAL CODES MUST BE FOLLOWED.**



(Fig. 1)

**PRE-OPERATION**

**ENGINE OIL:**

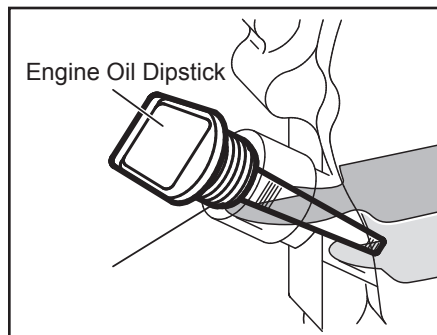
Before checking or refilling oil, be sure generator is located on stable and level surface with engine stopped.

1. Remove oil dipstick and check the engine oil level. (Fig. 2)
2. If oil level is below the lower level line, refill with suitable oil to upper level line. Do not screw in the oil dipstick when checking oil level. (Fig. 3)
3. Change oil if contaminated. (See "Maintenance Schedule; Changing Engine Oil" page 34.)

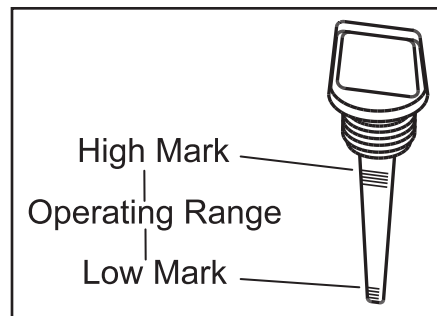
Oil Capacity ..... 0.106 gal. / 0.4 liters

**Recommended engine oil:**

John Deere PLUS-4® oil is the preferred oil to use. If John Deere PLUS-4® oil is not available, use 4-stroke automotive detergent oil of API service class SE or higher grade (SG, SH or SJ is recommended). If single viscosity oil is used, select the appropriate viscosity for the average temperature in your area. (Fig. 4)



(Fig. 2)



(Fig. 3)

		5W						
Single grade			10W					
				20W				
					#20			
						#30		
							#40	
Multigrade			10W-30					
			10W-40					
Ambient temperature		-20	-10	0	10	20	30	40°C
		-4	14	32	50	68	86	104°F

(Fig. 4)

## PRE-OPERATION

### FUELING:

 **WARNING: WARNING: EXPLOSIVE FUEL! GASOLINE IS EXTREMELY FLAMMABLE AND ITS VAPORS CAN EXPLODE IF IGNITED.**

**STORE GASOLINE ONLY IN APPROVED CONTAINERS, IN WELL VENTILATED, UNOCCUPIED BUILDINGS AND AWAY FROM SPARKS OR FLAMES.**

**DO NOT FILL THE FUEL TANK WHILE THE ENGINE IS HOT OR RUNNING, SINCE SPILLED FUEL COULD IGNITE IF IT COMES IN CONTACT WITH HOT PARTS OR SPARKS FROM IGNITION. DO NOT START THE ENGINE NEAR SPILLED FUEL.**

**NEVER USE GASOLINE AS A CLEANING AGENT.**

 **WARNING: DO NOT OVERFILL THE FUEL TANK, LEAVE ROOM FOR THE FUEL TO EXPAND.**

1. If fuel level is low, refill with unleaded automotive gasoline.
2. Fuel level should never go over the RED marking at the inlet portion. (Fig. 5)
3. Be sure to use the fuel filter screen on the fuel filter neck. (Fig. 6)  
Fuel Tank Capacity ..... 0.92 gal. / 3.5 liters
4. When using the generator for the first time or stopping due to the fuel running out, pull the recoil handle several times after filling the fuel up to the RED marking at the inlet portion of the fuel tank.

 **WARNING: MAKE SURE YOU REVIEW EACH WARNING IN ORDER TO PREVENT FIRE HAZARD.**

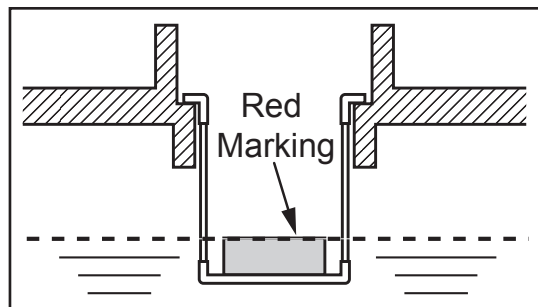
**DO NOT REFILL TANK WHILE ENGINE IS RUNNING OR HOT.**

**BEFORE FILLING FUEL, TURN THE ENGINE SWITCH TO “” (STOP) POSITION.**

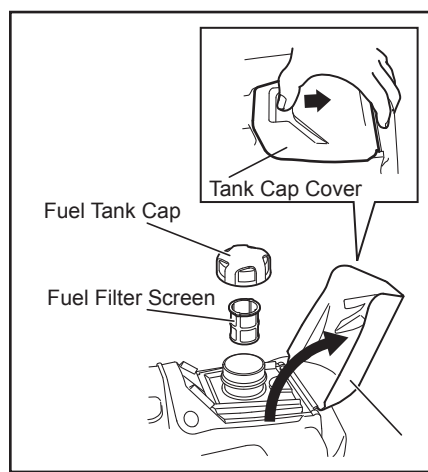
**BE CAREFUL NOT TO ADMIT DUST, DIRT, WATER OR OTHER FOREIGN OBJECTS INTO FUEL.**

**WIPE OFF SPILT FUEL THOROUGHLY BEFORE STARTING ENGINE.**

**KEEP OPEN FLAMES AWAY.**



(Fig. 5)



(Fig. 6)

## PRE-OPERATION

### FUELING (continued):

#### General Recommendations

- Purchase gasoline in small quantities and store in clean, approved containers.
- To minimize gum deposits in your fuel system and to insure easy starting, do not use gasoline left over from the previous season.
- Do not add oil to the gasoline.

#### Fuel Type

- For best results use only clean, fresh, unleaded gasoline with a pump sticker octane rating of 87 or higher.
- Unleaded gasoline is recommended as it leaves less combustion chamber deposits.

#### GASOLINE/ALCOHOL BLENDS:

Gasohol (up to 10% ethyl alcohol, 90% unleaded gasoline by volume) is approved, as a fuel. Other gasoline/alcohol blends are not approved.

#### GASOLINE/ETHER BLENDS:

Methyl Tertiary Butyl Ether (MTBE) and unleaded gasoline blends (up to a maximum of 15% MTBE by volume) are approved as a fuel. Other gasoline/ether blends are not approved.

## PRE-OPERATION

CHECK COMPONENT PARTS:

**Check following items before starting engine:**

1. Fuel leakage from fuel hose, etc.
2. Bolts and nuts for looseness.
3. Components for damage or breakage.
4. Generator not resting on or against any adjacent wiring.

CHECK GENERATOR SURROUNDINGS:

When listening to the radio near the generator, the radio sound may be disturbed on account of the radio wave condition and the radio performance.

**Make sure you review each warning in order to prevent fire hazard.**



**WARNING: KEEP AREA CLEAR OF FLAMMABLES OR OTHER HAZARDOUS MATERIALS.**

**KEEP GENERATOR AT LEAST 3 FEET (1 METER) AWAY FROM BUILDINGS OR OTHER STRUCTURES.**

**ONLY OPERATE GENERATOR IN A DRY, WELL VENTILATED AREA.**

**KEEP EXHAUST PIPE CLEAR OF FOREIGN OBJECTS.**

**KEEP GENERATOR AWAY FROM OPEN FLAME.  
NO SMOKING!**

**KEEP GENERATOR ON A STABLE AND LEVEL SURFACE.**

**DO NOT BLOCK GENERATOR AIR VENTS WITH PAPER OR OTHER MATERIAL.**





# Operation

## OPERATION

### STARTING THE GENERATOR:


 **CAUTION: CHECK THE OIL LEVEL BEFORE EACH OPERATION AS OUTLINED ON PAGE 21.**


1. Make sure all appliances are disconnected from the generator.
2. Turn engine switch to the “” (CHOKE) position (Fig. 7). (When the engine is warm or temperature is high, start engine with the switch at “” (RUN) position).

 **CAUTION: DO NOT CONNECT APPLIANCES WITH DEFECTIVE LINES AND/OR PLUGS.**

**BE SURE APPLIANCES ARE NOT CONNECTED TO GENERATOR WHEN STARTING UP. STARTING THE GENERATOR WITH AN APPLIANCE CONNECTED COULD RESULT IN DAMAGE TO THE GENERATOR AND/OR APPLIANCE AND PERSONAL INJURY.**

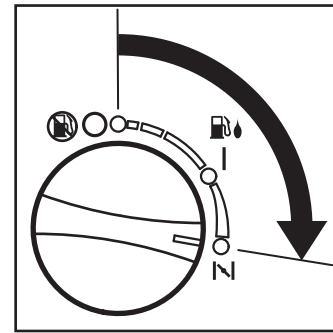
3. Pull the recoil starter handle slowly until passing the compression point (resistance will be felt), then return the handle to its original position and pull briskly. (Fig. 8)
4. After starting, allow the recoil starter handle to return to its original position with the handle still in your hand.

**NOTE:** If the engine fails to start after several attempts, repeat the starting procedures mentioned above with the engine switch placed at “” (RUN) position.

5. After 20 to 30 seconds of warm-up is completed, turn the engine switch to “” (RUN) position. (Fig. 9)
6. Make sure the output lamp is on. This indicates that the generator is properly operating.

**NOTE:** Please consult with an authorized John Deere Dealer if the output lamp is off during the proper operation.

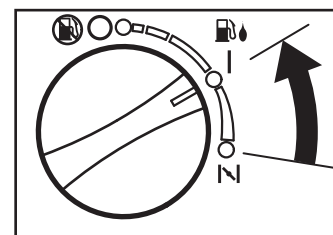
7. Test the GFCI receptacle on the unit. Push the test button. The reset button should pop out and there should be no power at the receptacle. Apply a test load or lamp to each receptacle to verify. IF THE RESET BUTTON DOES NOT POP OUT, DO NOT USE THE RECEPTACLE. SEE DEALER FOR SERVICE IMMEDIATELY.
8. If GFCI receptacle test correctly, firmly push the reset button to restore power. A distinctive click should be heard or felt when this is complete. IF THE RECEPTACLE DOES NOT RESET PROPERLY, DO NOT USE THE RECEPTACLE. SEE DEALER FOR SERVICE IMMEDIATELY.



(Fig. 7)



(Fig. 8)



(Fig. 9)

## OPERATION

### USING ELECTRIC POWER:



**WARNING: MAKE SURE THAT THE APPLIANCE IS SWITCHED OFF BEFORE CONNECTING IT TO THE GENERATOR.**

**DO NOT MOVE THE GENERATOR WHILE IT IS RUNNING.**

**BE SURE TO GROUND THE GENERATOR. FAILURE TO GROUND UNIT MAY LEAD TO ELECTRICAL SHOCK.**

### AC APPLICATION:

1. Make sure the output lamp is turned on.
2. Turn off the switch(es) of the electrical appliance(s) before connecting to the generator.
3. Insert the plug(s) of the electrical appliance(s) into the receptacle. (Fig. 10)

- Using Table 1, check appliance plug for compatibility with the generator receptacle.

- Be sure that the total wattage of all connected appliances does not exceed the rated output of the generator, see specifications on page 37.

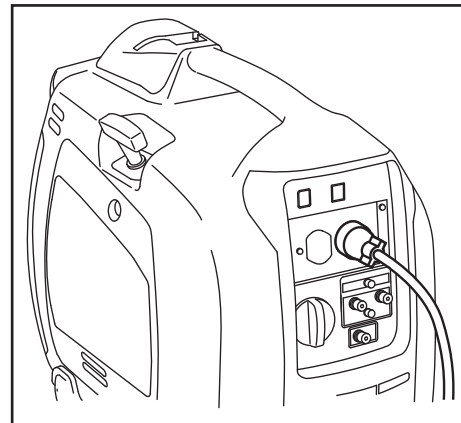
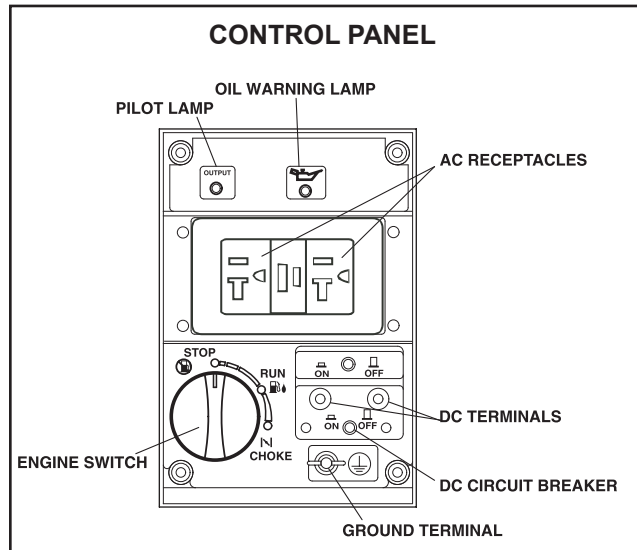


**WARNING: BE SURE TO GROUND THE GENERATOR IF THE CONNECTED ELECTRICAL DEVICE IS GROUNDED.**

**NOTE:** The generator is equipped with an overload. If the generator shuts off during operation, the generator may be overloaded or the appliance may be defective.

Stop the generator immediately, check the appliance and/or generator for overloading, and have repaired as necessary by an authorized John Deere Dealer.

4. Turn on the switch of the appliance.



(Fig. 10)

Style	Receptacle	AC plug		Description
	NEMA 5-20R			GFCI (Ground Fault Circuit Interrupter) Receptacle, duplex

Table 1

## OPERATION

### DC APPLICATION:

The DC terminal is used only for charging 12 volt batteries. It provides up to 12V - 8.3A (100W) of maximum power. (Fig. 11)

### CONNECTION OF CABLE:

Connect positive terminal (red) on generator to positive (+) terminal on battery.

Connect negative terminal (black) on generator to negative (-) terminal on battery.

Both AC and DC output can be used at the same time if the total output is within rated output of the generator.

### SAFETY PRECAUTIONS WHILE CHARGING:




**WARNING: AN EXPLOSIVE HYDROGEN GAS IS DISCHARGED THROUGH VENT HOLES IN THE BATTERY DURING THE CHARGING PROCESS. DO NOT ALLOW SPARK OR OPEN FLAME AROUND THE GENERATOR OR BATTERY DURING THE CHARGING PROCESS.**

**ELECTROLYTE FLUID CAN BURN EYES AND CLOTHING. BE EXTREMELY CAREFUL TO AVOID CONTACT. IF INJURED, WASH THE AFFECTED AREA IMMEDIATELY WITH LARGE QUANTITIES OF WATER AND CONSULT A DOCTOR FOR TREATMENT.**

When charging a large capacity battery or totally discharged battery, excessive current may force the DC breaker to turn off.

Battery defects may cause the DC breaker to trip. Check the battery before resetting the DC breaker.

### STOPPING THE GENERATOR:

1. Turn off the power switch of the electric equipment and unplug the cord from receptacle of the generator.
2. Allow the engine about 3 minutes to cool down at no load before stopping.
3. Turn the engine switch to the position “” (STOP). (See Fig. 12)

### OIL SENSOR:

The oil sensor detects the fall in oil level in the crankcase and automatically stops the engine when the oil level falls below a predetermined level.

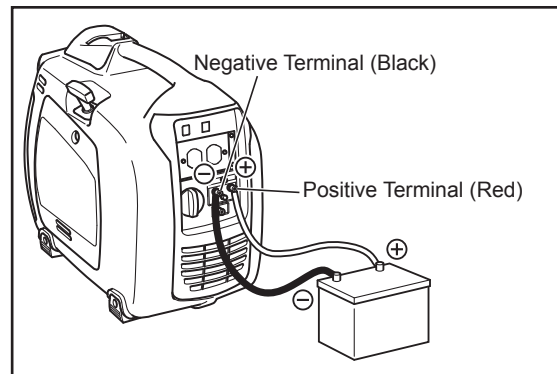
When the engine has stopped automatically, turn off the generator, and check the oil level. Refill engine oil to the upper level as instructed on page 21 and restart the engine.

If the engine does not start by usual starting procedures, check the oil level.

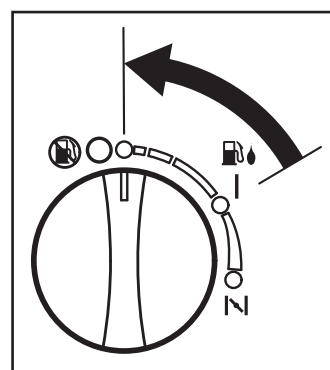


**CAUTION: DO NOT REMOVE OIL SENSOR PROBE WHEN REFILLING WITH OIL.**

**REMOVE OIL FILLER CAP ON THE OPPOSITE SIDE OF CARBURETOR.**



(Fig. 11)



(Fig. 12)

## OPERATION

### WATTAGE INFORMATION:

Some appliances need a “surge” of energy when starting. This means that the amount of electrical power needed to start the appliance may exceed the amount needed to maintain its use.

Electrical appliances and tools normally come with a label indicating voltage, cycles / Hz, amperage (amps) and electrical power needed to run the appliance or tool.

Check with your nearest dealer or service center with questions regarding power surge of certain appliances or power tools.

- Electrical loads such as incandescent lamps and hot plates require the same wattage to start as is needed to maintain use.
- Loads such as fluorescent lamps require 1.2 to 2 times the indicated wattage during start-up.
- Loads for mercury lamps require 2 to 3 times the indicated wattage during start-up.
- Electrical motors require a large starting current. Power requirements depend on the type of motor and its use. Once enough “surge” is attained to start the motor, the appliance will require only 30% to 50% of the wattage to continue running.
- Most electrical tools require 1.2 to 3 times their wattage for running under load during use.
- Loads such as submersible pumps and air compressors require a very large force to start. They need 3 to 5 times the normal running wattage in order to start.

**NOTE:** The following wattage chart is general guide only. Refer to your specific appliance for correct wattage.

To determine the total wattage required to run a particular electrical appliance or tool, multiply the voltage figure of the appliance / tool by the amperage (amps) figure of same. The voltage and amperage (amps) information can be found on a name plate which is normally attached to electrical appliances and tools.



**CAUTION: IF AN ELECTRIC MOTOR FAILS TO START OR REACH RUNNING SPEED, TURN OFF THE APPLIANCE OR TOOL IMMEDIATELY TO AVOID EQUIPMENT DAMAGE. ALWAYS CHECK THE REQUIREMENTS OF THE TOOL OR APPLIANCE BEING USED COMPARED TO THE RATED OUTPUT OF THE GENERATOR.**

Applications	Applicable Wattage (W) 60 Hz
Incandescent Lamp, Heater	approx. 900
Fluorescent Lamp, Electric Tool	approx. 450
Mercury Lamp	approx. 250
Compressor Pump	approx. 200

**OPERATION**

**CABLE SIZE:**

When a long electric extension cord is used to connect an appliance or tool to the generator, a certain amount of voltage drop or loss occurs in the extension cord which reduces the effective voltage available for the appliance or tool. The chart below has been prepared to illustrate the approximate voltage loss when an extension cord of 300 feet (approx. 100 meters) is used to connect an appliance or tool to the generator.

Equipment damage can result from low voltage. Therefore, to prevent excessive voltage drop between the generator and the equipment, the cable should be of adequate gauge for the length used. The cable selection chart gives the maximum cable lengths for various gauges of wire which can adequately carry the loads shown.

CURRENT IN AMPS	LOAD IN WATTS		MAXIMUM CABLE LENGTH (FEET)				
	120 VOLTS	240 VOLTS	#8 WIRE	#10 WIRE	#12 WIRE	#14 WIRE	#16 WIRE
2.5	300	600		1000	600	375	250
5	600	1200		500	300	200	125
7.5	900	1800		350	200	125	100
10	1200	2400		250	150	100	50
15	1800	3600		150	100	65	
20	2400	4800	175	125	75	50	
25	3000	6000	150	100	60		
30	3600	7200	125	65			
40	4800	9600	90				

## OPERATION

### SPARK ARRESTER:

In a dry or wooded area, it is recommended to use the product with a spark arrester. Some areas require the use of a spark arrester. Please check your local laws and regulations before operating your product.

The spark arrester must be cleaned regularly to keep it functioning as designed.

A clogged spark arrester :

- Prevents the flow of exhaust gas
- Reduces engine output
- Increases fuel consumption
- Makes starting difficult



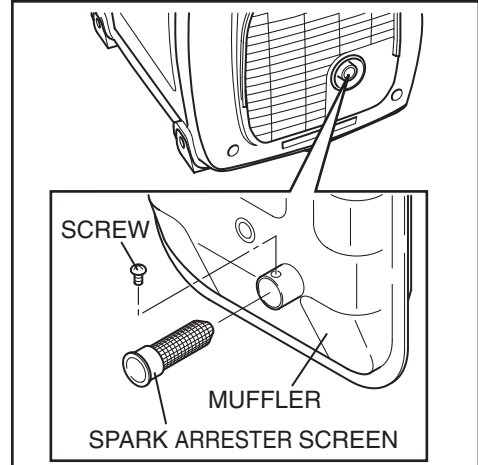
**CAUTION: IF THE ENGINE HAS BEEN RUNNING, THE MUFFLER AND THE SPARK ARRESTER WILL BE VERY HOT. ALLOW THE MUFFLER TO COOL BEFORE CLEANING THE SPARK ARRESTER.**

How to remove the spark arrester (Fig. 13):

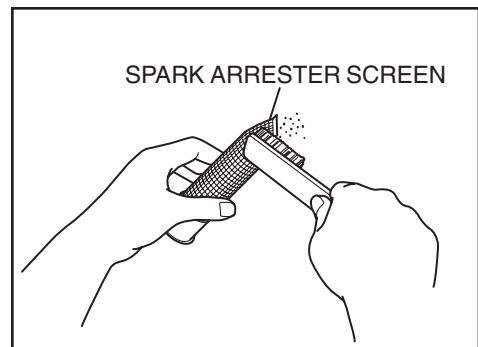
1. Remove the flange bolts from the muffler cover and remove the muffler cover.
2. Remove the special screw from the spark arrester and remove the spark arrester from the muffler.

Clean the spark arrester screen (Fig. 14):

1. Use a brush to remove carbon deposits from the spark arrester screen. Be careful to avoid damaging the screen.
2. The spark arrester must be free of breaks and holes. Replace the spark arrester if it is damaged.
3. Install the spark arrester, and muffler protector in the reverse order of disassembly.




(Fig. 13)



(Fig. 14)

# Troubleshooting

When generator engine fails to start after several attempts, or if no electricity is available at the output socket, check the following chart. If your generator still fails to start or generate electricity, contact your nearest John Deere dealer or service shop for further information or corrective procedures.

Symptom	Problem	Solution
<b>Engine will not start.</b>	Check if engine switch is off.	Turn engine switch to the  (CHOKE) position.
	Fuel Tank empty.	Fill tank making sure not to overfill.
	Check to make sure generator is not connected to an appliance.	If connected, turn off the power switch on the connected appliance and unplug.
	Check spark plug for loose spark plug cap.	If loose, push spark plug cap back into place.
	Check spark plug for contamination.	Remove spark plug and clean electrode.
	Check engine oil level.	If the engine oil level is low, add oil per "Pre-Operation; Engine Oil" on page 21.
<b>Generator has no output. (Output Lamp is ON)</b>	Check the AC and DC breakers. Check if the DC circuit breaker is turned off.	Depress the circuit breaker into the ON position, after making sure the electric power level is proper and the electric appliance (s) are in the normal condition.
	Check to see if the engine was started with appliances already connected to the generator.	Turn off the appliance, and disconnect cable from receptacle. Reconnect after the generator has been started properly.
	Low power.	Carbon brushes are excessively worn, contact an authorized John Deere Service Center or Dealer.
<b>Generator has no output. (Output Lamp is OFF)</b>		Contact an authorized John Deere Service Center or Dealer.

# Service

## MAINTENANCE SCHEDULE

Maintenance, replacement or repair of the emission control devices and systems must be performed by an authorized John Deere Service Center or Dealer.

### DAILY INSPECTION:

Before running the generator, check the following service items:

- Leakage of gasoline and engine oil.
- AC receptacles and DC terminals for damage.
- Excessive vibration, noise.
- Loose or broken bolts, nuts or shields.
- Clean air element.

### PERIODIC MAINTENANCE:

Periodic maintenance is vital to safe and efficient operation of your generator.

Check the Periodic Maintenance Table for periodic maintenance intervals.

***NOTE: REPLACEMENT, REPAIR AND ADJUSTMENT OF THESE COMPONENTS MUST BE PERFORMED BY AN AUTHORIZED JOHN DEERE SERVICE CENTER OR DEALER.***

The emission control system consists of the following parts:

- Carburetor and internal parts
- Cold start enrichment system, if applicable
- Intake manifold, if applicable
- Air cleaner element
- Spark plug
- Magneto or electronic ignition system
- Spark advance / retard system, if applicable
- Exhaust manifold, if applicable
- Hoses, belts, connectors, and assemblies



## MAINTENANCE SCHEDULE

### PERIODIC MAINTENANCE TABLE:

The maintenance schedule indicated in the table is based on the normal generator operation. Should the generator be operated in extremely dusty condition or in heavier loading condition, the maintenance intervals must be shortened depending on the contamination of oil, clogging of filter elements, wear of parts, and so on.

Maintenance Item	Every 8 hours (Daily)	Every 20 hours	Every 50 hours (Weekly)	Every 100 hours	Every 200 hours (Monthly)	Every 500 hours	Every 1000 hours
Clean generator and check bolts and nuts.	•						
Check and refill engine oil.	• (Refill daily up to upper level)						
AC receptacles	•						
DC terminal	•						
Engine switch	•						
Clean air element.			•				
Clean spark plug.			•				
Change engine oil. *		• (Initial)		•			
Spark arrester				•			
Replace air element.					•		
Clean fuel filter.					•		
Clean and adjust spark plug and electrodes.					•		
Replace spark plug.						•	
Remove carbon from cylinder head. **						•	
Check and adjust valve clearance. **						•	
Clean and adjust carburetor. **						•	
Clean and replace carbon brushes.**						•	
Overhaul engine **							•
Rotor **							•
Stator **							•
Replace engine mount **							•
Replace fuel lines **							Yearly

\* NOTE: Initial oil change should be performed after the first twenty (20) hours of operation. Thereafter, change oil every hundred (100) hours. Before changing oil, check for a suitable way to dispose of old oil. Your local zoning or environmental regulations will give you more detailed instructions on proper disposal.

\*\*NOTE: As to the procedures for these items, contact your authorized John Deere Service Dealer.

## MAINTENANCE SCHEDULE

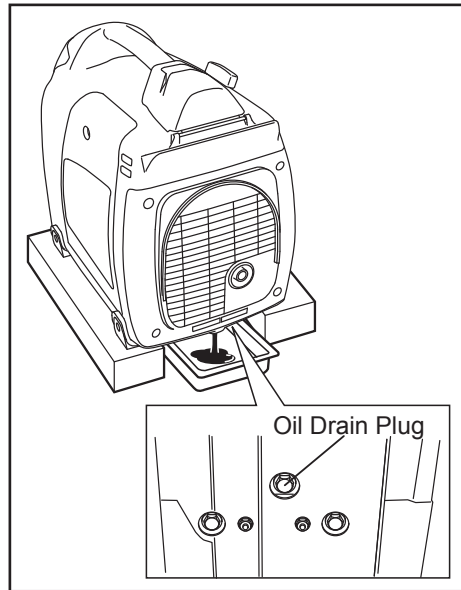
### CHANGING ENGINE OIL:

Change oil after the first 20 hours of operation. Thereafter it should be changed every 100 hours.

1. Drain oil by removing the drain plug and the oil filler cap while the engine is warm. (Fig. 15)
2. Reinstall the drain plug and fill the engine with oil until it reaches the upper level on the oil filler cap.

**NOTE:** John Deere PLUS-4® oil is the preferred oil to use. If John Deere PLUS-4® oil is not available, use 4-stroke automotive detergent oil of API service class SE or higher grade (SG, SH or SJ is recommended). If contaminated or deteriorated oil is used or the quantity of the engine oil is not sufficient, the engine damage will result and its life will be greatly shortened.

3. Dispose of used oil according to local zoning or environmental regulations.

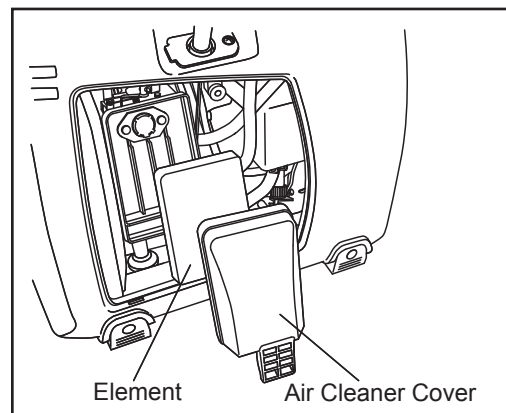


(Fig. 15)

### SERVICING THE AIR CLEANER:

Maintaining an air cleaner in proper condition is very important. Dirt induced through improperly installed, improperly serviced or inadequate elements damages and wears out engines. Always keep the element clean. (Fig. 16)

1. Unhook the cover and remove the cleaner element.
2. Urethane foam: Wash the element with fresh water. Squeeze out the water then dry the element. (Do not twist.)



(Fig. 16)

## MAINTENANCE SCHEDULE

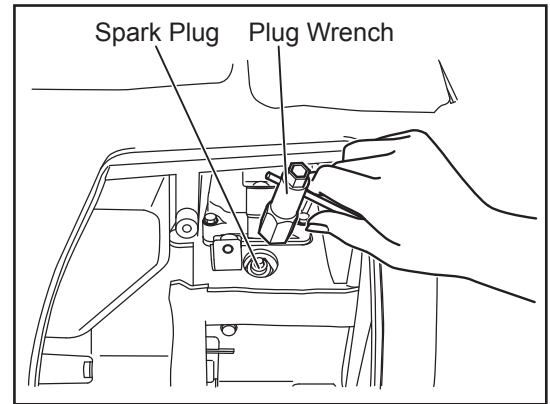
### CLEANING AND GAPPING SPARK PLUG:

If the plug is contaminated with carbon, remove the carbon using a plug cleaner or wire brush. (Fig. 17)

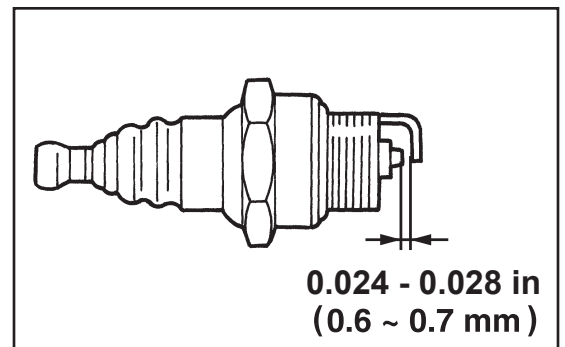
Adjust the electrode gap to 0.6 to 0.7 mm (0.024 to 0.028 in). (Fig. 18)

### Recommended Spark Plug:

Spark Plug .....NGK BMR4A Champion



(Fig. 17)



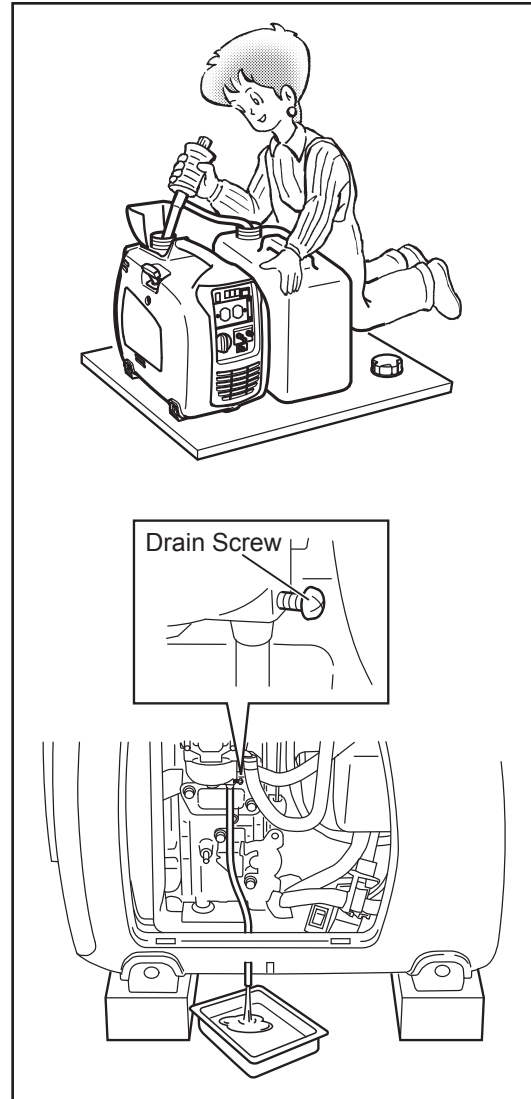
(Fig. 18)

# Storage

## PREPARATION FOR STORAGE

The following procedures should be followed prior to storage of your generator for periods of 6 months or longer.

1. Drain fuel from fuel tank carefully by disconnecting the fuel line. Gasoline left in the fuel tank will eventually deteriorate making engine-starting difficult.
2. When draining fuel from the fuel tank, it is best use a hand pump and set it into the refilling port. Do not tip unit over to empty fuel.
3. Remove the drain screw of the carburetor. (Fig. 19)
4. Change engine oil.
5. Check for loose bolts and screws, tighten them if necessary.
6. Clean generator thoroughly with clean cloth. **NEVER USE WATER TO CLEAN GENERATOR!**
7. Pull recoil starter handle until resistance is felt, leaving handle in that position.
8. Store generator in a well ventilated, low humidity area.



(Fig. 19)

# Specifications

## SPECIFICATIONS

ITEM	SPECIFICATION
ALTERNATOR .....	2-pole, Revolving Field, Self Exciting, Single Phase, AVR Brush Type
Frequency .....	60 Hz
Rated voltage .....	AC 120V
Rated output .....	900 VA (0.9 kVA)
Rated Amperage .....	7.5 A
Rated power factor .....	1.0
DC output.....	12V @ 8.3A
Over current protector.....	Circuit Breaker
 GROUND SYSTEM .....	 Neutral Ground
ENGINE .....	Forced air-cooled, 4-cycle, OHV Gasoline Engine
Displacement .....	5.24 cu. in. (85.8 mL)
Fuel .....	Automotive Unleaded Gasoline
Fuel tank capacity (gal./L).....	0.93 / 3.5
Rated continuous operation.....	3.5 hours (approx.)
Starting system .....	Recoil starter
DIMENSION.....	Length: 19.3 in (490 mm) Width: 11.6 in (295 mm) Height: 17.5 in (445 mm)
DRY WEIGHT .....	56.1 lb. (25.5kg)
VALVE CLEARANCE (Intake & Exhaust) (in / mm) .....	0.0039±0.0012 / 0.1±0.03 <i>Note: Adjust the valve clearance while the engine is cold.</i>
EMISSIONS DURABILITY PERIOD .....	250 hours (California Only)



## RECORD SERIAL NUMBER

Write your model number, machine serial number (see serial number tag in illustration) and date of purchase in the spaces provided below. Your dealer needs this information when ordering parts.

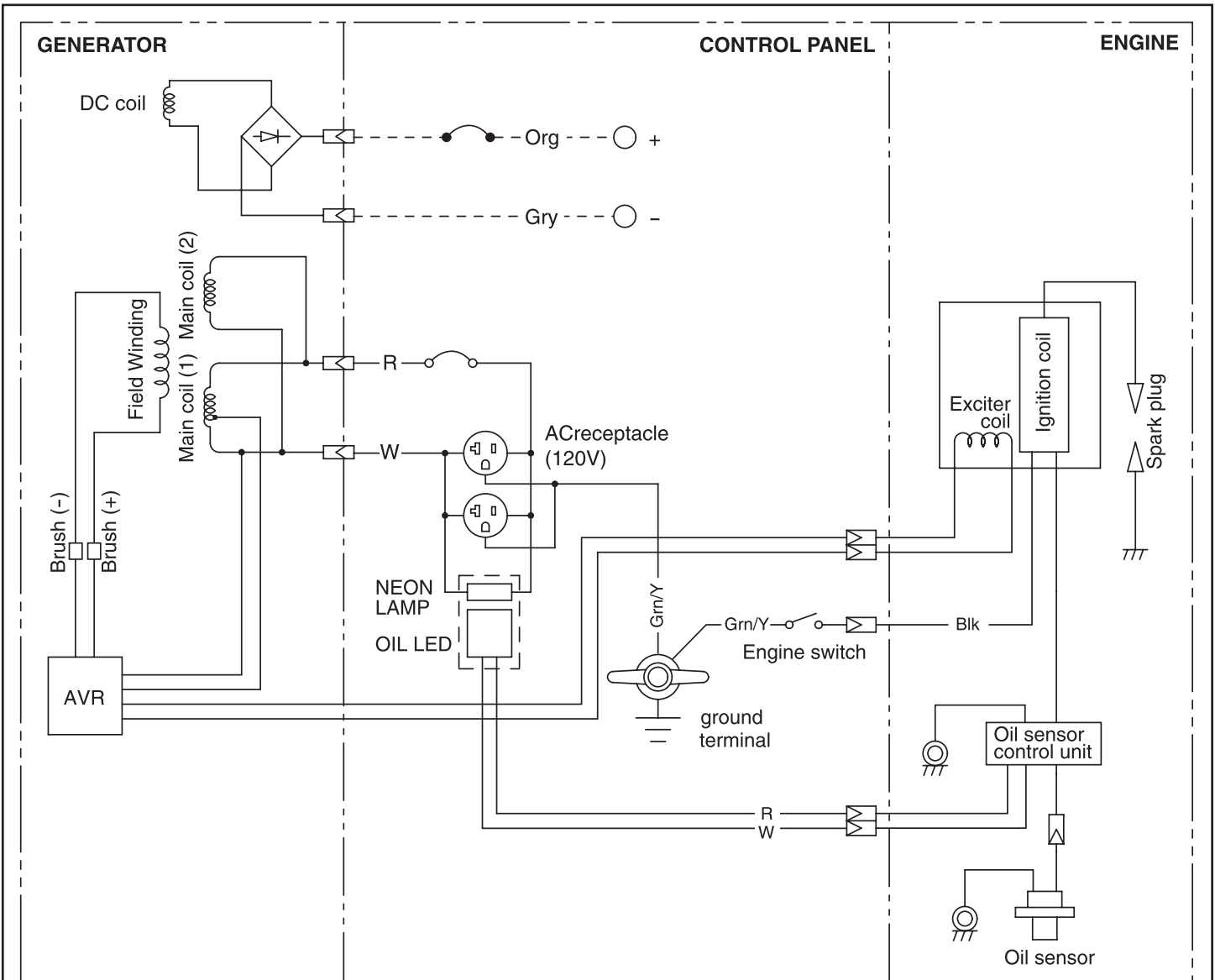
Model No. \_\_\_\_\_

Machine Serial No. \_\_\_\_\_

Date of Purchase \_\_\_\_\_  
(To be filled in by purchaser)

<input type="checkbox"/> FOR ELECTRICAL EQUIPMENT ONLY   <small>LR45042</small>	POUR ACCESSOIRES ELECTRIQUES	NOTICE 1. DO NOT USE IN RAIN OR SNOW. 2. DO NOT USE INDOORS DUE TO DANGER OF CARBON MONOXIDE POISONING.  AVIS 1. NE PAS UTILISER QUAND IL PLEUT OU IL NEIGE. 2. NE PAS UTILISER À L'INTÉRIEUR PAR SUITE DU DANGER CAUSÉ PAR L'OXYDE DE CARBONE.
<ul style="list-style-type: none"> <li>• AC: 120V 60Hz 1Φ RATED 900VA</li> <li>• DC: 12V 8.3A 100W</li> <li>• Insulation system _____ B</li> <li>• Système d'isolement _____</li> </ul>	<ul style="list-style-type: none"> <li>• Maximum ambient temperature _____ 40°C (104°F)</li> <li>• Température ambiante maximum _____</li> <li>• Lubricant _____</li> <li>• Lubrifiant _____ 0.4L (0.85pt)</li> </ul>	
	<b>JOHN DEERE</b> <small>MADE IN JAPAN</small>	<b>HR-G1100</b>

# Wire Diagram



**Wiring color code**

Blk : Black	LBlu : Light blue	Grn : Green	Gry : Gray	Y : Yellow	Pur : Purple
Blk/W : Black/White	Brn : Brown	Grn/W : Green/White	R : Red	W/Blk : White/Black	
Blu : Blue	Brn/W : Brown/White	Org : Orange	W : White	Grn/Y : Green/Yellow	□

# Warranty

## STATEMENT OF WARRANTY

The John Deere warrants all parts, (except those referred to below), of your new generator to be free from defects in materials and workmanship during the following periods:

For Two (2) Years from the date of original purchase.

Defective parts not subject to normal wear and tear will be repaired or replaced at our option during the warranty period. In any event, reimbursement is limited to the purchase price paid.

## EXCLUSIONS

1. Engine/Motor and Generator are covered under separate warranty by its respective manufacturer and is subject to the terms set forth therein.
2. This warranty does not cover parts damaged due to normal wear, misapplication, misuse, operation at other than recommended . Failure to follow recommended operating and maintenance procedures also voids warranty.
3. The use of other than genuine manufacturer repair parts will void warranty.
4. Parts returned, prepaid to our factory or to an Authorized John Deere Service Center will be inspected and replaced free of charge if found to be defective and subject to warranty. There are no warranties which extend beyond the description of the face hereof. Under no circumstances shall the manufacturer bear any responsibility for loss of use of the unit, loss of time or rental, inconvenience, commercial loss or consequential damages.

For Service or Warranty Consideration, contact  
Mi-T-M® Corporation, 8650 Enterprise Drive, Peosta, IA 52068  
1-877-JD-KLEEN / (1-877-535-5336) Fax 563-556-1235  
Monday - Friday 8:00 a.m. - 5:00 p.m. CST

**CALIFORNIA EMISSIONS CONTROL WARRANTY STATEMENT  
YOUR WARRANTY RIGHTS AND OBLIGATIONS**

The California Air Resources Board and John Deere are pleased to explain the emissions control system warranty on your small off-road engine (SORE). In California, new SOREs must be designed, built and equipped to meet the State's stringent anti-smog standards. John Deere must warrant the emissions control system on your SOREs for the periods of time listed below provided there has been no abuse, neglect or improper maintenance of your SOREs.

Your emissions control system may include parts such as the carburetor or fuel-injection system, fuel lines and the ignition system. Also included may be hoses, clamps, connectors and other associated components.

Where a warrantable condition exist, John Deere will repair your small off-road engine at no cost to you including diagnosis, parts and labor.

**MANUFACTURER'S WARRANTY COVERAGE:**

This emissions control system is warranted for two years. If any emissions-related part on your engine is defective, the part will be repaired or replaced by John Deere.

**OWNER'S WARRANTY RESPONSIBILITIES:**

-As the SORE owner, you are responsible for performance of the required maintenance listed in your owner's manual. John Deere recommends that you retain all receipts covering maintenance on your SORE, but John Deere cannot deny warranty solely for the lack of receipts.

-As the SORE owner, you should however be aware that John Deere may deny you warranty coverage if your SORE or a part has failed due to abuse, neglect, or improper maintenance or unapproved modifications.

-You are responsible for presenting your SORE to distribution center or service center authorized by John Deere - Mi-T-M Corporation, 8650 Enterprise Drive, Peosta, IA 52068 (herein John Deere) as soon as the problem exists. The warranty repairs should be completed in a reasonable amount of time, not to exceed 30 days.

If you have a question regarding your warranty coverage, you should contact John Deere Customer Service Department at 1-877-JD-KLEEN / (1-877-535-5336).



**GENERAL EMISSIONS WARRANTY COVERAGE  
- California Only -**

John Deere warrants to the ultimate purchaser and each subsequent purchaser that the SORE (1) has been designed, built and equipped so as to conform with all applicable regulations; and (2) is free from defects in materials and workmanship that cause the failure of a warranted part to conform with those regulations as may be applicable to the terms and conditions stated below.

- (a) The warranty period begins on the date the engine is delivered to an ultimate purchaser or first placed into service. The warranty period is two years.
- (b) Subject to certain conditions and exclusions as stated below, the warranty on emissions related parts is as follows:
  - (1) Any warranted part that is not scheduled for replacement as required maintenance in your owner's manual is warranted for the warranty period stated above. If the part fails during the period of warranty coverage, the part will be repaired or replaced by John Deere according to subsection (4) below. Any such part repaired or replaced under warranty will be warranted for the remainder of the period.
  - (2) Any warranted part that is scheduled only for regular inspection in your owner's manual is warranted for the warranty period stated above. Any such part repaired or replaced under warranty will be warranted for the remaining warranty period.
  - (3) Any warranted part that is scheduled for replacement as required maintenance in your owner's manual is warranted for the period of time before the first scheduled replacement date for that part. If the part fails before the first scheduled replacement, the part will be repaired or replaced by John Deere according to subsection (4) below. Any such part repaired or replaced under warranty will be warranted for the remainder of the period prior to the first scheduled replacement point for the part.
  - (4) Repair or replacement of any warranted part under the warranty provisions herein must be performed at a warranty station at no charge to the owner.
  - (5) Notwithstanding the provisions herein, warranty services or repair will be provided at all of our distribution centers that are franchised to service the subject engines.
  - (6) The owner must not be charged for diagnostic labor that leads to the determination that a warranted part is in fact defective, provided that such diagnostic work is performed at a warranty station.
  - (7) John Deere is liable for damages to other engine components proximity caused by a failure under warranty of any warranted part.
  - (8) Throughout the engine warranty period stated above, John Deere will maintain a supply of warranted parts sufficient to meet the expected demand for such parts.
  - (9) Any replacement part may be used in the performance of any warranty maintenance or repairs and must be provided without charge to the owner. Such use will not reduce the warranty obligations of John Deere.
  - (10) Add-on or modified parts that are not exempted by the Air Resources Board may not be used. The use of any non-exempted add-on or modified parts by the ultimate purchaser will be grounds for disallowing a warranty claims. John Deere will not be liable to warrant failures of warranted parts caused by the use of a non-exempted add-on or modified part.

(c) **WARRANTED PARTS:**

The repair or replacement of any warranted part otherwise eligible for warranty coverage may be excluded from such warranty coverage if John Deere demonstrates that the engine has been abused, neglected, or improperly maintained, and that such abuse, neglect, or improper maintenance was the direct cause of the need for repair or replacement of the part. That notwithstanding, any adjustment of a component that has a factory installed, and properly operating, adjustment limiting device is still eligible for warranty coverage. The following emissions warranty parts list are covered.

- (1) Fuel Metering System/
  - (A) Carburetor and internal parts (and/or pressure regulator or fuel injection system)./
  - (B) Air/fuel ratio feedback and control system, if applicable./
  - (C) Cold start enrichment system, if applicable./
  - (D) Regulator assy (gaseous fuel, if applicable)
- (2) Air Induction System/
  - (A) Intake manifold, if applicable/
  - (B) Air filter.
- (3) Ignition System/
  - (A) Spark plugs. /
  - (B) Magneto or electronic ignition system. /
  - (C) Spark advance/retard system, if applicable.
- (4) Exhaust manifold, if applicable
- (5) Evaporation System /
  - (A) Fuel line /
  - (B) Fuel line fittings

# Notes

# Notes

# Introduction

MERCI de la confiance témoignée par l'achat d'un produit John Deere.

LIRE CE MANUEL ATTENTIVEMENT AFIN de pouvoir utiliser et entretenir correctement votre appareil, sinon des dommages corporels ou matériels pourraient en résulter. Ce manuel et les symboles de sécurité sur votre appareil peuvent également être disponible en d'autres langues. (Voir votre concessionnaire John Deere pour les commander.)

CE MANUEL DOIT ÊTRE CONSIDÉRÉ comme faisant partie intégrante de votre appareil et doit l'accompagner en cas de revente.

LES MESURES dans ce manuel sont indiquées à la fois dans leurs équivalents métriques et en unités usuelles des USA. Utiliser seulement les pièces de rechange et les éléments de fixation corrects. Les éléments de fixation métriques et en pouces peuvent nécessiter des clés spécifiques à leurs système d'unités.

LES CÔTÉS DROITS ET GAUCHES de l'appareil sont déterminés en faisant face au côté moteur de l'appareil.

Le NUMÉRO DE SÉRIE de l'appareil se situe dans la section Caractéristiques ou Numéros d'Identification. Noter correctement tous les numéros afin de faciliter les recherches en cas de vol. Les communiquer également au concessionnaire lors de toute commande de pièces. Ranger les numéros d'identification dans un endroit sûr et séparé de l'appareil.

LA GARANTIE fait partie du programme de soutien John Deere destiné aux clients qui utilisent et entretiennent leur équipement tel qu'il est décrit dans ce manuel. Les conditions de garantie dont bénéficie cet appareil figurent sur le certificat de garantie dans ce manuel.

Cette garantie vous fournit l'assurance que votre concessionnaire fournira du support pour les produits où des défauts apparaîtraient au cours de la période de garantie. Toute utilisation abusive de l'équipement ou modification visant à dépasser les performances spécifiées par le constructeur annuleront la garantie.



## AVERTISSEMENT

Le gaz d'échappement du moteur de cet appareil contient des produits chimiques qui sont connus par l'état de Californie comme étant la cause de cancer, de défauts de naissance et d'autres problèmes reproductifs.



## AVERTISSEMENT

Ce produit contient un ou plusieurs produits chimiques qui sont connus par l'état de Californie comme étant la cause de cancer, de défauts de naissance et d'autres problèmes reproductifs.

### AVIS

La GARANTIE DÉFAUT de COMPOSANT ANTIPOLLUTION FÉDÉRALE et la Garantie Contrôle d'émission pour la CALIFORNIE sont applicables seulement aux moteurs/groupes électrogènes conformes aux normes d'émission en vigueur aux Etats-Unis, selon les directives d'EPA (Environmental Protection Agency: Agence de protection de l'environnement) et de CARB (California Air Resources Board: Comité des ressources de l'air de la Californie)

### AVIS

Pour les moteurs/groupes électrogènes exportés vers et utilisés dans les pays autres que les Etats-Unis, le service de garantie sera assuré par le distributeur dans chaque pays selon la politique standard de garantie Robin applicable au moteur/groupe électrogène.

### INDICE D'AIR

Pour montrer la conformité aux normes d'émission de la Californie, une étiquette est accrochée indiquant le niveau d'indice d'air de ce moteur et sa longévité.

Le niveau d'indice d'air définit la pureté de l'échappement d'un moteur sur une certaine durée. Une échelle graphique graduée de "0" (le plus propre) à "10" (le moins propre) est employée pour indiquer le niveau d'indice d'air du moteur. Un niveau plus bas d'indice d'air représente un échappement de moteur plus propre.

La durée (en heures) durant laquelle le niveau d'indice d'air est mesuré est appelée période de durabilité. Selon la cylindrée du moteur, on peut sélectionner des durées de temps différentes pour mesurer le niveau d'indice d'air (voir ci-dessous).

<b>Terme descriptif</b>	<b>Applicable à la période de durabilité d'émissions</b>
Modéré :	50 heures (moteur de 0 à 80 cc) 125 heures (moteur de plus de 80 cc)
Intermédiaire :	125 heures (moteur de 0 à 80 cc) 250 heures (moteur de plus de 80 cc)
Prolongé :	300 heures (moteur de 0 à 80 cc) 500 heures (moteur de plus de 80 cc)

Avis: Cette étiquette doit rester accrochée sur le moteur ou l'appareil, et ne peut être enlevée que par l'acheteur final avant la mise en opération.

## GARANTIE COMPOSANT D'ÉMISSIONS FÉDÉRALES DÉFECTUEUX

**COUVERTURE DE LA GARANTIE COMPOSANT D'ÉMISSIONS DÉFECTUEUX** -- Cette garantie d'émission est applicable dans tous les états, à l'exception de la Californie.

Fuji Heavy Industries Ltd. et Robin America Inc., Wood Dale Illinois, (désigné ci-dessous par "ROBIN AMERICA") garantit à l'acheteur au détail initial et chaque propriétaire suivant, que ce moteur non routier (désigné ci-dessous par "moteur") a été conçu, fabriqué, et équipé pour se conformer au moment de la vente initiale à tous les règlements en vigueur de l'agence de protection de l'environnement (EPA) des États-Unis et que ce moteur est exempt de défauts de matière première ou de construction qui feraient que ce moteur ne soit pas conforme aux normes EPA durant sa période de garantie.

Pour les composants énumérés dans PIÈCES COUVERTES, le concessionnaire réparateur agréé ROBIN AMERICA effectuera gratuitement le diagnostic, la réparation ou le remplacement nécessaire pour s'assurer que le moteur est conforme aux normes EPA applicables aux ETATS-UNIS.

### PÉRIODE DE GARANTIE COMPOSANTS D'ÉMISSIONS DÉFECTUEUX

La période de garantie pour ce moteur commence à la date de la vente à l'acheteur initial et continue pendant une durée deux ans.

### PIÈCES COUVERTES

Ci-dessous sont énumérées les pièces couvertes par la garantie composants d'émissions défectueux. Certaines des pièces énumérées ci-dessous peuvent nécessiter un entretien programmé et sont garanties jusqu'au premier remplacement programmé pour cette pièce.

1. Système de dosage de Carburant
  - a. Carburateur et pièces internes (et/ou régulateur de pression or système d'injection de carburant).
  - b. Système de rétroaction et de commande de rapport d'air/carburant, si applicable.
  - c. Système d'enrichissement au démarrage à froid, si applicable.
  - d. Assemblage régulateur (carburant essence, si applicable).
2. Système d'admission d'air
  - a. Collecteur d'admission, si applicable.
  - b. Filtre à air.
3. Circuit d'allumage
  - a. Bougies d'allumage.
  - b. Magnéto ou circuit d'allumage électronique.
  - c. Système d'avance/retard à l'allumage, si applicable.
4. Tubulure d'échappement, si applicable.
5. Articles divers utilisés dans les systèmes ci-dessus.
  - a. Commandes électroniques, si applicable.
  - b. Tuyaux, courroies, connecteurs, et assemblage.
  - c. Ensemble de verrouillage du filtre (combustible gazeux, si applicable).

### COMMENT OBTENIR LE SERVICE DE GARANTIE

Pour obtenir le service de garantie, amenez votre moteur au concessionnaire agréé ROBIN AMERICA le plus proche. Apportez vos reçus de vente indiquant la date d'achat pour ce moteur. Le concessionnaire réparateur agréé ROBIN AMERICA effectuera les réparations ou les ajustements nécessaires dans un délai raisonnable et vous fournira avec une copie de l'ordre de réparation. Toutes les pièces et accessoires remplacés sous cette garantie deviennent la propriété de ROBIN AMERICA.

### CE QUI N'EST PAS COUVERT

Les conditions résultant de manipulations non autorisées, d'abus, de réglage incorrect (à moins qu'ils n'aient été faits par le concessionnaire réparateur agréé ROBIN AMERICA pendant une réparation de garantie), d'une altération, d'un accident, la non-utilisation des carburants et huile recommandés, ou la non-réalisation des opérations d'entretien obligatoires.

Les pièces de rechange utilisées pour les opérations d'entretien obligatoires

Les dommages indirects tels que la perte de temps, le dérangement, la perte d'utilisation du moteur ou de l'équipement, etc

Les frais de diagnostic et d'inspection n'amenant pas à une réparation sous garantie.

Les pièces de rechange non agréées ou le défaut de fonctionnement de pièces agréées dues à l'utilisation des pièces non agréées.

### RESPONSABILITÉS DU PROPRIÉTAIRE VIS À VIS DE LA GARANTIE

En tant que propriétaire de moteur, vous êtes responsable de l'exécution des opérations d'entretien obligatoire énumérées dans le manuel du propriétaire. ROBIN AMERICA recommande que vous conserviez tous les reçus concernant l'entretien sur votre moteur, mais ROBIN AMERICA ne peut dénier la garantie seulement à cause de reçus manquants ou pour la non-réalisation de l'intégralité de toutes les opérations d'entretien programmées.

En tant que propriétaire de moteur, vous devez cependant être conscient que ROBIN AMERICA peut dénier la couverture de la garantie si votre moteur ou une pièce tombe en panne à cause d'abus, de négligence, d'entretien incorrect ou de modifications non approuvées.

Vous êtes responsable de la présentation du moteur au concessionnaire réparateur agréé ROBIN AMERICA le plus proche quand un problème est identifié.

Pour toute question relative à vos droits et responsabilités vis à vis de la garantie, vous devez contacter le département Service après-vente de ROBIN AMERICA à 1-630-350-8200 pour obtenir l'information.

### CHOSES A CONNAÎTRE CONCERNANT LA GARANTIE L'ENTRETIEN ET LES RÉPARATIONS DU SYSTÈME DE CONTRÔLE D'ÉMISSIONS

Vous êtes responsable de l'entretien correct du moteur. Vous devez conserver tous les reçus et les dossiers de maintenance couvrant l'exécution de l'entretien normal au cas où des questions surgiraient. Ces reçus et dossiers de maintenance doivent être transmis à chaque propriétaire suivant du moteur. ROBIN AMERICA se réserve le droit de dénier la couverture de la garantie si le moteur n'a pas été correctement entretenu. Les réclamations de garantie ne seront pas rejetées, cependant, uniquement à cause d'un manque d'entretien ou de la non-conservation des dossiers de maintenance.

L'ENTRETIEN, LE REMPLACEMENT OU LA RÉPARATION DES DISPOSITIFS ET DES SYSTÈMES DE CONTRÔLE D'ÉMISSIONS PEUVENT ÊTRE EXÉCUTÉS PAR N'IMPORTE QUEL RÉPARATEUR (ÉTABLISSEMENT OU INDIVIDU) ; CEPENDANT, LES RÉPARATIONS SOUS GARANTIE DOIVENT ÊTRE EXÉCUTÉES PAR UN CONCESSIONNAIRE RÉPARATEUR AGRÉÉ ROBIN AMERICA. L'UTILISATION DE PIÈCES QUI NE SONT PAS ÉQUIVALENTES EN PERFORMANCE ET DURABILITÉ AUX PIÈCES AGRÉÉES PEUT ALTÉRER L'EFFICACITÉ DU SYSTÈME CONTRÔLE D'ÉMISSIONS ET PEUT INFLUER SUR LE RÉSULTAT D'UNE RÉCLAMATION DE GARANTIE.

Si des pièces autres que des pièces agréées par ROBIN AMERICA sont employées pour des remplacements d'entretien ou pour la réparation de composants affectant le contrôle d'émissions, vous devrez vous assurer que ces pièces sont garanties par leur fabricant comme étant équivalentes en performance et durabilité aux pièces agréées par ROBIN AMERICA.

### COMMENT FAIRE UNE RÉCLAMATION

Toute réparation au titre de cette garantie limitée doit être exécutée par un concessionnaire réparateur agréé par ROBIN AMERICA. Au cas où une pièce relative aux émissions s'avérerait défectueuse pendant la période de garantie vous devrez informer le département service après-vente de ROBIN AMERICA à 1-630-350-8200 et vous serez informé sur les concessionnaires ou fournisseurs de service qualifiés pour effectuer la réparation sous garantie.

## DÉCLARATION DE GARANTIE CONTRÔLE D'ÉMISSIONS POUR LA CALIFORNIE VOS DROITS ET OBLIGATIONS DE GARANTIE

Le comité des ressources de l'air de la Californie et Fuji Heavy Industries Ltd. (désigné ci-dessous par "FUJI") sont heureux d'expliquer la garantie du système de contrôle d'émissions de votre petit moteur non routier (désigné ci-dessous par "moteur") 2005 ou postérieur. En Californie, un nouveau moteur doit être conçu, construit et équipé pour se conformer aux normes anti-smog rigoureuses de l'état. FUJI doit garantir le système de contrôle d'émissions de votre moteur pendant la durée de temps décrite ci-dessous, à condition qu'il n'y ait eu aucun abus, négligence ou entretien incorrect de votre moteur. Votre système de contrôle d'émissions peut inclure des pièces telles que le carburateur ou le système d'injection de carburant, et le circuit d'allumage. Les tuyaux, courroies, connecteurs et autres assemblages liés aux émissions peuvent aussi être inclus. Quand une condition couverte par la garantie existe, ROBIN AMERICA réparera gratuitement votre moteur, y compris le diagnostic, les pièces et la main d'œuvre.

### COUVERTURE DE LA GARANTIE DU FABRICANT:

Les moteurs 2005 et postérieurs sont garantis pendant deux (2) années. Si toute pièce de votre moteur relative aux émissions est défectueuse, elle sera réparée ou remplacée par ROBIN AMERICA.

### RESPONSABILITÉS DU PROPRIÉTAIRE VIS À VIS DE LA GARANTIE:

- En tant que propriétaire de moteur, vous êtes responsable de l'exécution des opérations d'entretien obligatoires énumérées dans le manuel du propriétaire. ROBIN AMERICA recommande que vous conserviez tous les reçus concernant l'entretien de votre moteur, mais FUJI ne peut dénier la garantie seulement à cause de reçus manquants ou pour la non-réalisation de l'intégralité de toutes les opérations d'entretien programmées.
- En tant que propriétaire de moteur, vous devez cependant être conscient que FUJI peut dénier la couverture de la garantie si votre moteur ou une pièce tombent en panne à cause d'abus, de négligence, d'entretien incorrect ou de modifications non approuvées.
- Vous êtes responsable de la présentation du moteur à votre concessionnaire réparateur ou station de garantie agréé par ROBIN AMERICA Inc. 940 Lively Blvd., Wood Dale, IL 60191 (désigné ci-dessous par ROBIN AMERICA) dès qu'un problème est identifié. Les réparations de garantie devraient être effectuées dans un délai raisonnable sans dépasser 30 jours.

Pour toute question relative à vos droits et responsabilités vis à vis de la garantie, vous devez contacter le département Service après-vente de Robin America à 1-630-350-8200.

## GARANTIE LIMITÉE Sur les systèmes de contrôle d'émissions -La Californie seulement-

FUJI garantit au propriétaire du moteur 2005 et moteur postérieur que le moteur (1) a été conçu, fabriqué et équipé pour se conformer au moment de la fabrication à tous les règlements en vigueur du Comité des Ressources de l'air de la Californie, et (2) est exempt de défauts de matière première ou de construction qui feraient qu'il ne soit pas conforme aux normes comme peut être applicable dans les termes et conditions indiquées ci-dessous.

### A. DATE DE COMMENCEMENT

La période de garantie commence à la date où le moteur est livré à l'acheteur au détail initial.

### B. DURÉE DE LA COUVERTURE

FUJI garantit à l'acheteur au détail initial et chaque acheteur suivant que le moteur est exempt de défauts de matière première et de construction qui sont la cause de défaillance de pièces sous garantie relatives aux émissions pendant une durée de deux (2) années après la date de livraison au premier acheteur au détail.

### C. CE QUI EST COUVERT

1. PIÈCES DE RÉPARATION OU DE RECHANGE  
Les réparations et le remplacement de n'importe quelle pièce sous garantie seront exécutés gratuitement par un concessionnaire réparateur agréé ou une station de garantie agréée. Vous pouvez contacter le département Service après-vente de Robin America Inc. à 1-630-350-8200 pour obtenir le nom du concessionnaire ou fournisseur de service qualifié le plus proche pour effectuer la réparation sous garantie.
2. PÉRIODE DE GARANTIE  
Cette garantie continue pendant une période de deux (2) années et s'applique seulement à la réparation, au remplacement ou à l'ajustement des pièces composantes qui ne sont pas programmées pour le remplacement en tant qu'entretien obligatoire. De plus, les pièces composantes qui sont programmées pour une inspection régulière au titre de "réparer et remplacer si besoin est" sont sous garantie pendant la période de garantie. Toute pièce sous garantie qui est programmée pour le remplacement en tant qu'entretien obligatoire n'est garantie que pendant la période de temps jusqu'à un premier remplacement programmé pour cette pièce.
3. DIAGNOSTIC  
Vous ne serez pas facturé pour le travail de diagnostic qui mène à la détermination qu'une partie garantie est défectueuse, si le travail de diagnostic est effectué chez un concessionnaire réparateur agréé ou une station de garantie agréée.
4. DOMMAGES  
Si une pièce sous garantie s'avère défectueuse et endommage les composants du moteur, consulter une station de garantie.

### D. CE QUI N'EST PAS COUVERT

1. Cette garantie limitée ne couvre pas toute pièce qui fonctionne mal, s'avère défectueuse ou est endommagée dû au non-respect des instructions d'entretien et d'utilisation exposées dans le manuel du propriétaire 2005 et postérieur y compris :
  - a. Entretien incorrect de toute pièce sous garantie.
  - b. Installation, réglage ou réparation incorrect du moteur ou de toute pièce sous garantie à moins que le travail n'ait été effectué par un concessionnaire réparateur agréé.
  - c. Le non-respect des recommandations se rapportant à l'utilisation de carburant contenues dans le manuel du propriétaire 2005 et postérieur.
  - d. Les réparations effectuées en dehors des centres de service agréés.
  - e. L'utilisation de pièces qui ne sont pas agréées par FUJI.
2. Pièces ajoutées ou modifiées. Cette garantie ne couvre pas toute pièce qui fonctionne mal, s'avère défectueuse ou est endommagée par suite d'altérations faites en changeant, ajoutant ou en enlevant des pièces du moteur.
3. Les dépenses encourues durant le traitement de réclamations de garantie. Ni FUJI, ni les concessionnaires réparateurs agréés ou les stations de garantie agréées, ne seront responsables pour la perte d'utilisation du moteur, pour toute utilisation alternative, pour tout dommage aux appareils, la perte de temps ou le dérangement.

### E. COMMENT FAIRE UNE RÉCLAMATION

Toutes réparations au titre de cette garantie limitée doivent être exécutées par le concessionnaire qui vous a vendu le moteur ou par une station de garantie agréée par ROBIN AMERICA. Au cas où une pièce relative aux émissions s'avérerait défectueuse pendant la période de garantie, vous devrez informer le département service après-vente de Robin America Inc. à 1-630-350-8200 et vous serez informé sur les concessionnaires ou fournisseurs de service qualifiés pour effectuer la réparation sous garantie.

## F. OÙ OBTENIR LE SERVICE DE GARANTIE

Il est recommandé que le service de garantie soit exécuté par le concessionnaire agréé qui vous a vendu le moteur, bien que le service de garantie sera exécuté par n'importe quel concessionnaire réparateur agréé ou station de garantie agréée n'importe où aux États-Unis.

Quand une réparation sous garantie s'avère nécessaire, le moteur doit être amené chez un concessionnaire réparateur agréé ou une station de garantie agréée pendant les heures d'ouverture normales. Dans tous les cas, un délai raisonnable, qui ne dépassera pas 30 jours, doit être accordé pour que la réparation sous garantie soit terminée après que le concessionnaire réparateur agréé ou la station de garantie agréée aura reçu le moteur.

## G. L'ENTRETIEN, LE REMPLACEMENT ET LA RÉPARATION DES PIÈCES RELATIVE AUX ÉMISSIONS.

Seules les pièces de rechange du moteur sous garantie approuvées par FUJI doivent être utilisées pour l'exécution de tout entretien sous garantie ou réparation de pièces relative aux émissions. Si des pièces autres que des pièces agréées par FUJI sont employées pour l'entretien, les remplacements ou pour la réparation de composants affectant le contrôle d'émissions, vous devrez vous assurer que ces pièces sont garanties par leur fabricant comme étant équivalentes en performance et durabilité aux pièces agréées par FUJI. Cependant, FUJI n'assume aucune responsabilité sous cette garantie par rapport aux pièces autres que des pièces agréées. L'utilisation de pièces de rechange non-agréées n'annule pas la garantie des autres composants à moins que les pièces non-agréées endommagent les pièces sous garantie.

## I. DÉCLARATIONS D'ENTRETIEN

Vous êtes responsable de l'exécution de tous les services programmés d'entretien et d'inspection aux intervalles recommandés dans le manuel du propriétaire 2005 et postérieur et de conserver la preuve que les services d'entretien et d'inspection ont été effectués aux intervalles recommandés. FUJI ne rejettera pas une réclamation de garantie seulement parce que vous n'avez pas de dossiers d'entretien; cependant, FUJI peut rejeter une réclamation de garantie si la non-réalisation des opérations d'entretien est la cause d'une défaillance d'une pièce sous garantie. La preuve que vous conservez doit être transmise à chaque propriétaire suivant du moteur. Vous êtes responsable de l'exécution des opérations d'entretien programmées décrites ci-dessous qui sont basées sur la procédure spécifiée dans le manuel du propriétaire 2005 et postérieur. Les opérations d'entretien programmées qui se trouvent ci-dessous sont basées sur un emploi normal du moteur.

### PROCÉDURE:

1. Vidange d'huile.
2. Nettoyer le filtre à air (élément).
3. Remplacer l'élément de filtre à air.
4. Nettoyer et ajuster la bougie et régler l'écartement des électrodes.

## H. PIÈCES COUVERTES SOUS LA GARANTIE D'ÉMISSIONS POUR LA CALIFORNIE

1. Système de dosage de Carburant
  - a. Carburateur et pièces internes (et/ou régulateur de pression or système d'injection de carburant).
  - b. Système de rétroaction et de commande de rapport d'air/carburant, si applicable.
  - c. Système d'enrichissement au démarrage à froid, si applicable.
  - d. Assemblage régulateur (carburant essence, si applicable).
2. Système d'admission d'air
  - a. Collecteur d'admission, si applicable.
  - b. Filtre à air.
3. Circuit d'allumage
  - a. Bougies d'allumage.
  - b. Magnéto ou circuit d'allumage électronique.
  - c. Système d'avance/retard à l'allumage, si applicable.
4. Tubulure d'échappement, si applicable.
5. Articles divers utilisés dans les systèmes ci-dessus.
  - a. Commandes électroniques, si applicable.
  - b. Tuyaux, courroies, connecteurs, et assemblage.
  - c. Ensemble de verrouillage du filtre (combustible gazeux, si applicable).

### INTERVALLE:

1. Après les premières 20 heures et toutes les 100 heures ensuite.
2. Toutes les 50 heures.
3. Toutes les 200 heures.
4. Toutes les 200 heures.

**NOTE:** Un entretien plus fréquent sera peut être nécessaire dans des conditions poussiéreuses, sales ou rigoureuses.



# Table des matières

	Page
Sécurité .....	50
Symboles de sécurité .....	57
Commandes .....	59
Préparation du groupe électrogène .....	63
Fonctionnement .....	67
Dépannage .....	73
Entretien .....	75
Remisage .....	78
Caractéristiques .....	79
Diagramme du câblage.....	80
Garantie .....	81-83
Note .....	84

*Toutes les informations, illustrations et caractéristiques contenues dans la présente publication sont à jour au moment de la publication, le constructeur se réservant le droit d'apporter sans notification toute modification jugée appropriée.*



# Sécurité

## RECONNAITRE LES SYMBOLES DE SÉCURITÉ

Voici le symbole d'alerte de sécurité. Lorsqu'il apparaît sur votre appareil ou dans ce manuel, rester conscient du risque potentiel de blessures.

Respecter tous les conseils de sécurité ainsi que les consignes générales de prévention des accidents.



## COMPRENDRE LES MOTS D'ALERTE

Un mot d'alerte—DANGER, AVERTISSEMENT ou ATTENTION—est utilisé avec le symbole d'alerte de sécurité. Le terme DANGER identifie les dangers les plus graves.

Les signes de sécurité avec DANGER ou AVERTISSEMENT se trouvent près des dangers spécifiques. Les signes de sécurité avec ATTENTION se réfèrent à des précautions d'ordre général. Le terme ATTENTION demande aussi de prêter attention aux messages de sécurité dans ce manuel.

 **DANGER**

 **AVERTISSEMENT**

 **ATTENTION**

## RESPECTER LES CONSEILS DE SÉCURITÉ

Lire attentivement tous les conseils de sécurité contenus dans ce manuel et ceux apposés sur l'appareil. Veiller à ce que les signes de sécurité soient lisibles. Remplacer ceux qui manqueraient ou seraient endommagés. S'assurer que les nouveaux composants ou pièces de rechange incluent les signes de sécurité courants. Des signes de rechange sont disponibles chez votre concessionnaire John Deere.

Apprendre à faire fonctionner l'appareil et à utiliser les commandes correctement. Ne laisser aucune personne se servir de l'appareil sans instruction.

Maintenir votre appareil en bonne condition de marche. Toute modification illicite de votre appareil risque d'en affecter son fonctionnement et/ou sa sécurité ainsi que d'en réduire sa durée de vie.

Si vous ne comprenez pas toute partie de ce manuel et avez besoin d'assistance, prenez contact avec votre concessionnaire John Deere.



## OXYDE DE CARBONE – GAZ TOXIQUE

Utiliser le groupe électrogène dehors, loin de fenêtres ouvertes, de conduits d'aération, ou de portes.

**Le gaz d'échappement du groupe électrogène contient de l'oxyde de carbone – un gaz toxique qui peut vous tuer. Vous NE POUVEZ PAS sentir ou voir ce gaz.**

Ne jamais se servir d'un groupe électrogène dans des espaces fermés ou partiellement fermés. Les groupes électrogènes peuvent produire de hauts niveaux d'oxyde de carbone très rapidement. Pendant l'utilisation d'un groupe électrogène portable, se rappeler que vous ne pouvez pas sentir ou voir l'oxyde de carbone. Même si vous ne sentez pas les gaz d'échappement, vous pouvez tout de même être exposé à l'oxyde de carbone.

Si vous commencez à vous sentir malade, étourdi, ou faible pendant l'utilisation d'un groupe électrogène, sortez au grand air immédiatement. **NE PAS ATTENDRE.** L'oxyde de carbone provenant des groupes électrogènes peut rapidement être la cause d'une incapacité complète ou de mort.

En cas des symptômes sérieux, trouver de l'aide médicale immédiatement. Informer le personnel médical qu'une intoxication à l'oxyde de carbone est possible. Si vos symptômes sont apparus à l'intérieur, ne pas retourner dans le bâtiment avant que les sapeurs pompiers s'assurent que le bâtiment est sans danger.

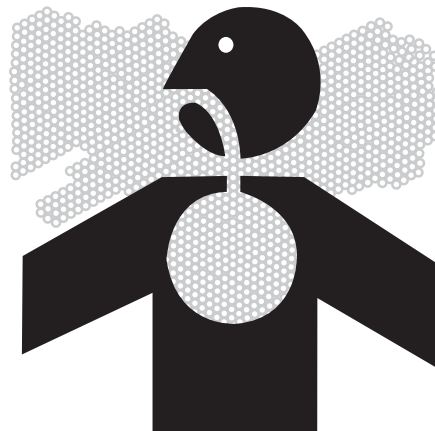
NE JAMAIS utiliser le groupe électrogène dans une atmosphère explosible, près de matériaux combustibles ou dans un endroit où la ventilation n'est pas suffisante pour évacuer les gaz d'échappement. **Les gaz d'échappement peuvent être la cause de blessures graves ou de mort.**

NE JAMAIS se servir d'un groupe électrogène à l'intérieur, que ce soit dans des maisons, garages, sous-sols, vides de comble ou vides sanitaire, et autres espaces fermés ou partiellement fermés, même avec ventilation. Le fait d'ouvrir des fenêtres et des portes ou d'utiliser des ventilateurs n'empêchera pas l'accumulation d'oxyde de carbone dans la maison.

Suivre les instructions qui accompagnent votre groupe électrogène. Placer l'appareil dehors et loin des portes, fenêtres, et conduits d'aération qui pourraient permettre au gaz d'oxyde de carbone d'entrer à l'intérieur.

Installer des alarmes d'oxyde de carbone à piles ou des alarmes d'oxyde de carbone avec batterie de secours qui se branche dans votre maison, selon les instructions d'installation du fabricant. Les alarmes d'oxyde de carbone doivent être conforme aux exigences des dernières normes de sécurité pour les alarmes d'oxyde de carbone. (UL 2034, IAS 6-96, ou CSA 6.19.01).

Tester votre alarme d'oxyde de carbone fréquemment et remplacer les piles à plat.





## CONSIGNES DE SÉCURITÉ LORS DU RAVITAILLEMENT EN CARBURANT

L'essence est extrêmement inflammable et ses vapeurs peuvent exploser si on l'enflamme.

Respecter tous les règlements de sécurité concernant la manipulation sans danger de carburant. Manier le carburant dans des récipients de sécurité. Si le récipient n'a pas de bec, se servir d'un entonnoir.

Ne pas trop remplir le réservoir de carburant, laisser toujours de la place pour que le carburant se dilate.

Ne jamais remplir le réservoir de carburant lorsque le moteur tourne. Arrêter le groupe électrogène et lui permettre de refroidir avant de le ravitailler en carburant. L'essence renversée sur les parties chaudes du moteur pourrait s'enflammer.

Ne remplir le réservoir de carburant que sur une surface nue. Lors du ravitaillement en carburant, écarter le réservoir de toute source de chaleur, d'étincelles ou de flammes nues. Nettoyer soigneusement toute essence renversée avant de démarrer le moteur.

Remplir toujours le réservoir de carburant dans un endroit avec une bonne ventilation pour éviter d'inhaler des vapeurs dangereuses.

N'entreposer JAMAIS le carburant de votre groupe électrogène dans la maison. L'essence, le propane, le kérosène, et autres liquides inflammables doivent être entreposés en dehors des espaces habités dans des récipients de sécurité (pas en verre) clairement étiquetés. Ne pas les entreposer près d'un appareil alimenté en combustible, tel qu'un chauffe-eau au gaz naturel dans un garage. Si du carburant est renversé ou si le récipient n'est pas fermé correctement, des vapeurs invisibles provenant du carburant peuvent voyager le long du sol et peuvent être enflammées par la veilleuse de l'appareil ou par des arcs des interrupteurs électriques dans l'appareil.



## PROTECTION PAR DISJONCTEUR DIFFÉRENTIEL

Ces groupe électrogènes sont équipées de deux prises de courant de 120V avec disjoncteur différentiel (GFCI) pour offrir de la protection contre les risques de chocs électriques causés par des accessoires défectueux tels que des outils, des cordons ou des câbles.



**AVERTISSEMENT : LE DISJONCTEUR DIFFÉRENTIEL RISQUE DE NE PAS FONCTIONNER SI LE GROUPE ÉLECTROGÈNE N'EST PAS CORRECTEMENT RELIÉ À LA TERRE. RESPECTER LA MÉTHODE CORRECTE DE RACCORDEMENT À LA TERRE QUI EST SPÉCIFIÉE DANS LA PARTIE INTITULÉE "INSTRUCTIONS DE MISE À LA TERRE."**

Le disjoncteur différentiel est un coupe-circuit spécial qui, en cas de courant parasite allant à la terre, coupe le courant venant du secteur ou du groupe électrogène.

Un disjoncteur différentiel (GFCI) ne peut être utilisé qu'avec les groupe électrogènes qui ont le fil neutre relié au châssis en interne et le châssis lui-même correctement mis à la terre. Un disjoncteur différentiel (GFCI) ne marchera pas avec les groupes électrogènes qui n'ont pas le fil neutre relié au châssis en interne, ou avec les groupes électrogènes qui n'ont pas été reliés à la terre correctement. Tous les groupes électrogènes John Deere ont des fils de mise à la terre interne. Un disjoncteur différentiel (GFCI) ne fonctionnera pas si l'appareil n'est pas relié à la terre correctement.

Un disjoncteur différentiel (GFCI) peut être exigé par les règlements de OSHA (loi sur la santé et la sécurité du travail), le Code Electrique Nationale et/ou les codes locaux et fédéraux lors de l'utilisation d'un groupe électrogène.

Pour une meilleure protection contre les risques de chocs électriques par de l'équipement défectueux branché sur des prises à verrouillage par rotation, il faut considérer la possibilité d'utiliser un disjoncteur différentiel pour chacune de ces prises également.

Les disjoncteurs différentiel (GFCI) et les cordons amovibles et câbles protégés par des disjoncteurs différentiels peuvent être achetés dans des magasins locaux de matériel électrique.

## RISQUES ÉLECTRIQUES

Ce produit doit être mis à la terre. En cas de mauvais fonctionnement ou de panne, la mise à la terre fournit un chemin de moindre résistance au courant électrique, réduisant ainsi les risques de choc électrique.



**DANGER - UN BRANCHEMENT INCORRECT DU CONDUCTEUR DE MISE À LA TERRE DE L'ÉQUIPEMENT PEUT ENTRAÎNER DES RISQUES D'ÉLECTROCUTION. VÉRIFIER AVEC UN DÉPANNEUR OU UN ÉLECTRICIEN QUALIFIÉ EN CAS DE DOUTES CONCERNANT LA MISE À LA TERRE.**

Ce groupe électrogène est équipé d'une borne de terre pour votre protection. Finaliser toujours la liaison à la terre du groupe électrogène jusqu'à une prise de terre externe comme l'explique les instructions dans la section intitulée "Instructions de mise à la terre" dans la partie Préparation de ce manuel.

Le groupe électrogène est une source potentielle de choc électrique si il n'est pas gardé au sec. Maintenir le groupe électrogène au sec et ne pas l'utiliser par temps de pluie ou dans des conditions humides. Pour protéger le groupe électrogène contre l'humidité, s'en servir sur une surface sèche et sous une structure ouverte tel qu'un auvent. Ne jamais toucher le groupe électrogène avec les mains mouillées.

Risque de choc électrique en cas d'utilisation du groupe électrogène avec un disjoncteur différentiel (GFCI) défectueux. Tester le disjoncteur différentiel (GFCI) avant chaque utilisation. Voir les instructions d'utilisation pour plus d'information. Si le disjoncteur différentiel (GFCI) s'avère défectueux, NE PAS utiliser votre groupe électrogène. Contacter votre concessionnaire John Deere.

Brancher les appareils directement dans le groupe électrogène. Ou, se servir d'une rallonge renforcée et pour usage extérieur certifié (en watts ou en ampères) pour au moins la somme des consommations de tous les appareils branchés dessus. Vérifier que toute la rallonge est en bon état, sans entailles ou déchirures et que la fiche a bien trois broches, et surtout une lame de terre.

Ne JAMAIS essayer d'alimenter les circuits de la maison en branchant le groupe électrogène à une prise murale, une pratique connue sous le nom de "back feeding/ alimentation en retour". Ceci est une pratique extrêmement dangereuse qui présente un risque d'électrocution aux ouvriers d'entretien du réseau public et aux voisins desservis par le même transformateur de réseau. Ceci court-circuite également certains des dispositifs de protection intégrés dans l'installation électrique de la maison.

Si vous devez brancher le groupe électrogène au circuit d'alimentation électrique de la maison pour amener du courant aux appareils, faire installer l'équipement approprié par un électricien qualifié conformément aux codes électriques locaux. Ou, vérifier avec votre compagnie d'électricité pour voir si un commutateur de transfert inverseur de source peut être installé.

Pour les coupures de courant, des groupes électrogènes stationnaires en installation permanente sont mieux adaptés pour fournir une source d'énergie de secours pour votre maison. Même un groupe électrogène portable qui est branché correctement peut devenir surchargé. Les éléments constitutifs du groupe électrogène peuvent alors surchauffer ou être sous trop de pression avec la conséquence possible de défaillance du groupe électrogène.



## CONSEILS DE SÉCURITÉ IMPORTANTS

**AVERTISSEMENT:** Pour réduire le risque de blessures, lire ce manuel de l'utilisateur au complet avant l'utilisation du produit. Pendant l'utilisation de ce produit, les précautions de base suivantes doivent toujours être suivies:

1. Lire toutes les instructions avant d'utiliser ce produit.
2. Ne pas enfermer le groupe électrogène ou le recouvrir avec une boîte. Le groupe électrogène a un système intégré de refroidissement par circulation forcée d'air, et peut surchauffer s'il est recouvert. Si le groupe électrogène a été recouvert afin de le protéger contre les conditions météorologiques lorsqu'il n'est pas utilisé, retirer sa protection lors de l'emploi et la maintenir loin du lieu de travail.
3. Faire fonctionner le groupe électrogène sur une surface plane. Il n'est pas nécessaire de préparer une fondation spéciale pour le groupe électrogène. Cependant il vibrerait sur une surface irrégulière, donc choisir un endroit plat sans irrégularité.

Si le groupe est incliné ou déplacé pendant son fonctionnement, il se pourrait que du carburant se déverse ou que le groupe se renverse, ce qui causerait une situation dangereuse.

Si le groupe fonctionne incliné ou sur une pente prononcée, la lubrification ne sera pas satisfaisante. Si tel était le cas, les pistons pourraient gripper même si le niveau d'huile est au-dessus du maximum.

4. Prêter attention aux fils électriques et aux rallonges raccordant le groupe électrogène à l'appareil. Si le fil électrique est sous le groupe électrogène ou entre en contact avec une pièce qui vibre, il pourrait casser et être la cause d'un incendie, d'un grillage du groupe ou d'un risque de choc électrique. Remplacer immédiatement les cordons abîmés ou usés.
5. Ne pas utiliser l'appareil par temps de pluie, dans des conditions humides ou avec les mains mouillées. L'opérateur pourrait être victime d'un choc électrique grave si le groupe électrogène est mouillé à cause de pluie ou de neige.
6. Si le groupe électrogène est mouillé, l'essuyer et bien le sécher avant de le démarrer. Ne pas verser d'eau directement sur le groupe électrogène ni le laver avec de l'eau.
7. S'assurer que toutes les procédures nécessaires de mise la terre sont suivies lors de chaque et toute utilisation. Le non-respect de cette règle peut être mortel.
8. Ne JAMAIS essayer d'alimenter les circuits de la maison en branchant le groupe électrogène à une prise murale, une pratique connue sous le nom de "back feeding/ alimentation en retour". Ceci est une pratique extrêmement dangereuse qui présente un risque d'électrocution aux ouvriers d'entretien du réseau public et aux voisins desservis par le même transformateur de réseau. Ceci court-circuite également certains des dispositifs de protection intégrés dans l'installation électrique de la maison.

Si vous devez brancher le groupe électrogène au circuit d'alimentation électrique de la maison pour amener du courant aux appareils, faire installer l'équipement approprié par un électricien qualifié conformément aux codes électriques locaux. Ou, vérifier avec votre compagnie d'électricité pour voir si un commutateur de transfert inverseur de source peut être installé.

9. Il est interdit de fumer pendant la charge de la batterie. La batterie émet de l'hydrogène inflammable qui peut exploser s'il est exposé à des arcs électriques ou à des flammes nues. Pendant la charge de la batterie, s'assurer que la zone de travail est bien ventilée et se tenir à l'écart de flammes nues et/ou d'étincelles.



## CONSEILS DE SÉCURITÉ IMPORTANTS

10. Le moteur devient très chaud pendant le fonctionnement et reste chaud pendant une certaine période après l'emploi. Maintenir toute substance combustible bien éloignée de la zone où se trouve le groupe électrogène. Faire très attention à ne pas toucher toute partie du moteur chaud, surtout autour du silencieux car des blessures graves pourraient en résulter.
11. S'assurer que les enfants et autres personnes se tiennent bien éloignés de la zone de travail.
12. Il est absolument essentiel de connaître la bonne utilisation de l'outil ou de l'appareil que vous comptez utiliser. Tous les opérateurs doivent lire, comprendre et respecter le manuel du propriétaire de l'outil/l'appareil. Les applications et les limitations de l'outil et de l'appareil doivent être comprises. Respecter toutes les instructions données sur les étiquettes et les avertissements. Garder tous les manuels d'instruction et la documentation pertinente dans un endroit sûr en cas de besoin d'information dans l'avenir.
13. Ne se servir que de rallonges "certifiées". Quand un outil ou appareil est utilisé dehors, ne se servir que de rallonges marquées "pour usage extérieur". Les rallonges doivent être rangées dans un endroit sec et bien ventilé lorsqu'elles ne servent pas.
14. Débrancher toujours les outils et appareils lorsqu'ils ne servent pas, ainsi qu'avant de les entretenir, les ajuster ou d'installer des accessoires.



## CONSERVER CES INSTRUCTIONS

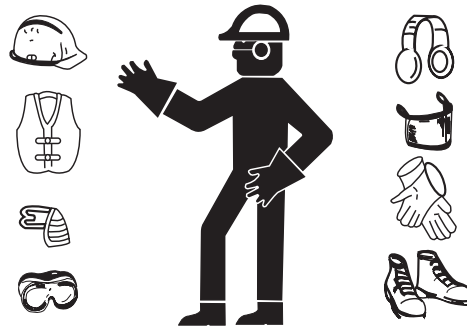


## PORTER DES VÊTEMENTS DE PROTECTION

Porter des vêtements ajustés et un équipement de sécurité adapté au travail.

Porter un dispositif protecteur d'audition approprié tel que des couvre-oreilles ou des bouche-oreilles pour se protéger contre des bruits forts répréhensibles ou inconfortables.

La pleine attention de l'opérateur est requise afin d'utiliser l'équipement en toute sécurité. Ne pas porter des écouteurs de radio ou de musique tout en actionnant la machine.

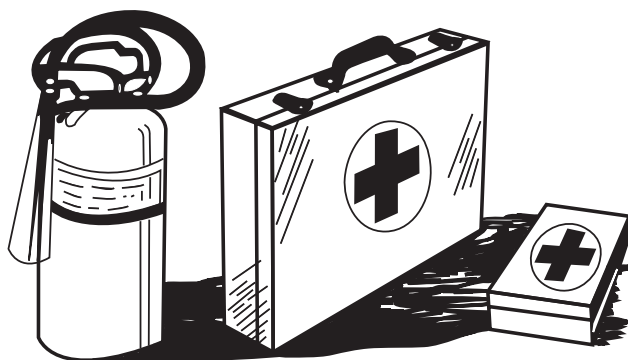


## PRÉPARATION POUR LES URGENCES

Garder une trousse des premiers secours et un extincteur à portée de la main.

Garder les numéros d'urgence des docteurs, du service d'ambulance, de l'hôpital et des pompiers en cas d'urgence près du téléphone.

Etre prêt si un incendie débute.



## INSPECTER LE GROUPE ÉLECTROGÈNE

S'assurer que tous les couvercles, gardes et plaques de protection sont serrés et bien en place.

Repérer toutes les commandes et les étiquettes de sécurité.

Inspecter le cordon de secteur pour déceler tout dommage avant utilisation. Il y a un risque de choc électrique en cas d'écrasement, de coupures ou de lésions dues à la chaleur.

## FAIRE L'ENTRETIEN DU GROUPE ÉLECTROGÈNE EN TOUTE SÉCURITÉ

Avant d'entretenir le groupe électrogène, débrancher tout l'équipement et la batterie (s'il en est équipé) et permettre à l'appareil de refroidir.

Faire l'entretien du groupe électrogène dans un endroit propre, sec et plat.

S'assurer que le moteur est à l'arrêt avant de commencer l'entretien et les réparati



## ÉTIQUETTES DE SÉCURITÉ

Conformément aux obligations européennes (les directives de la CEE), les symboles spécifiés comme ils le sont montrés dans le tableau suivant sont utilisés pour les produits et ce manuel d'instructions.



Lire le manuel d'instructions de l'opérateur.



Feu, flammes nues et fumer sont interdits.



Se tenir à l'écart de la surface chaude.



Attention, risque de choc électrique.



Les gaz d'échappement sont toxiques.  
Ne pas faire fonctionner dans une pièce non-ventilée.



Ne pas relier le groupe électrogène aux lignes du réseau public/commercial.



Arrêter le moteur avant le ravitaillement en carburant.



CHAUD, éviter de toucher les surfaces chaudes.



Marche  
(Courant et Moteur)



Position enclenchée (IN)  
d'une commande poussoir  
bistable



Démarrage du moteur  
(Démarrage électrique)



Arrêt  
(Courant et Moteur)



Protection par terre  
(Terre)



Arrêt du moteur



Courant alternatif



Fusible



Carburant diesel



Courant continu



Huile Moteur



Rapide



Plus;  
Polarité positive



Ajouter huile



Lent



Moins;  
Polarité négative



Condition de la batterie  
en cours de charge



Marche



Position sortie (OUT)  
d'une commande poussoir  
bistable



Starter; aide au  
démarrage à froid



Arrêt

$P_r$

Puissance Nominale (kW)

$COP$

Puissance en continu

$\cos\Phi_r$

Coefficient de puissance

$f_r$

Fréquence Nominale (Hz)

$U_r$

Tension nominale (V)

$I_r$

Intensité nominale (A)

$H_{max}$

altitude maximum du site  
au-dessus du niveau de  
la mer (m)

$T_{max}$

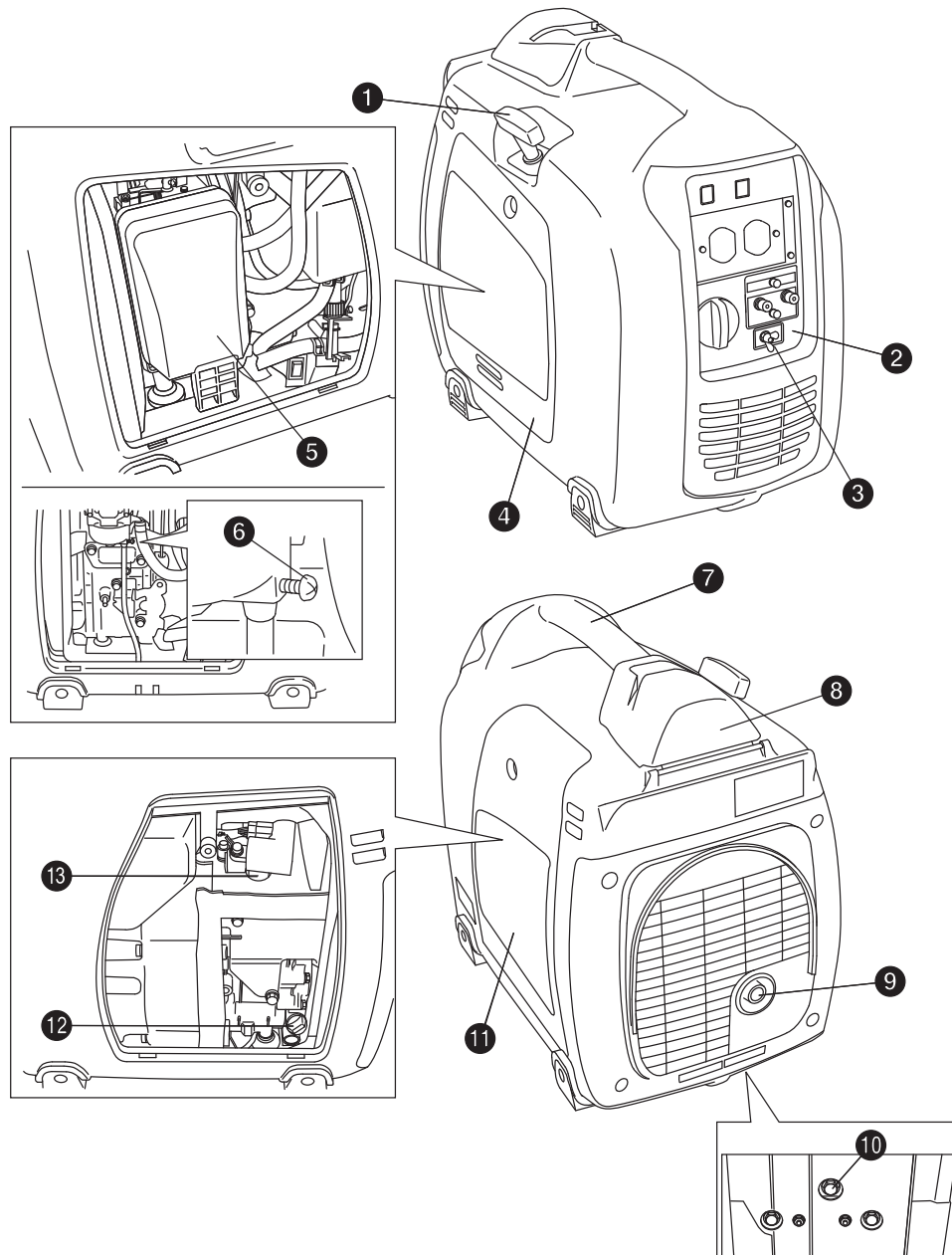
Température ambiante  
maximum (°C)

$m$

Masse (kg)

# Commandes

## COMMANDES



1-- Lanceur à rappel  
2-- Panneau de  
commande  
3-- Borne de terre

4-- Panneau de coté (L)  
5-- Filtre à air  
6-- Vis du robinet de  
vidange

7-- Poignée de levage  
8-- Couvercle bouchon  
du réservoir  
9-- Sortie d'échappement

10-- Bouchon de vidange  
d'huile  
11-- Panneau de coté (R)  
12-- Jauge de niveau  
d'huile  
13-- Protecteur de bougie

## COMMANDES

COMMANDE DU MOTEUR: (Fig. 15)

La commande du moteur est conçue pour une utilisation facile avec le mécanisme couplé entre le robinet d'essence et le starter.

VOYANT DE PUISSANCE FOURNIE : (Fig. 16)

Ces voyants sont allumés dans les conditions suivantes :

Voyant de puissance fournie (Vert) --- Ce voyant est allumé lors d'un bon fonctionnement du groupe électrogène.

VOYANT DÉTECTEUR DE NIVEAU D'HUILE: (Fig. 17)

Quand le niveau d'huile du moteur tombe sous le niveau requis, le voyant d'alarme s'allume et le moteur s'arrête automatiquement. Quand le moteur s'arrête à cause d'un manque d'huile, il ne peut plus être mis en marche même en tirant sur le lanceur à rappe (le voyant d'alarme clignote). Dans tel cas, réapprovisionner en huile. Voir "Avant utilisation; Huile du moteur" à la page 63.

PRISES FEMELLES DE COURANT ALTERNATIF (AC) : (Fig. 18)

Le courant alternatif est fourni par cette prise. Se servir d'une prise mise à la terre comme on le voit à la page 68, Tableau 1.



**AVERTISSEMENT : NE PAS METTRE DE CORPS ÉTRANGERS DANS LA PRISE FEMELLE.**






**ATTENTION: NE PAS BRANCHER PLUS DE DEUX APPAREILS À LA FOIS AU GROUPE.**

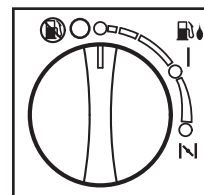
BORNES DE COURANT CONTINU (DC) : (Fig. 19)

Du courant continu pour la mise en charge de la batterie est disponible.

-La borne positive (+) est rouge.

-La borne négative (-) est noire.

COMMANDES DU MOTEUR	
<p><b>STARTER</b></p> 	<p>Pour démarrer le moteur, tourner le bouton jusqu'à la position. (Le volet du starter est fermé.)</p>
<p><b>MARCHE</b></p> 	<p>Maintenir le bouton en cette position après le démarrage du moteur. (Le moteur peut être mis en marche avec le bouton à la position quand le moteur est chaud.)</p>
<p><b>ARRÊT</b></p> 	<p>Pour arrêter le moteur, replacer le bouton à la position. (Le robinet de carburant est aussi fermé.)</p>



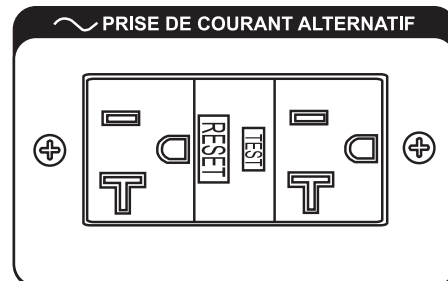
(Fig. 15)



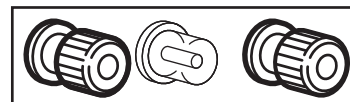
(Fig. 16)



(Fig. 17)



(Fig. 18)



(Fig. 19)

## COMMANDES

**DISJONCTEUR DE COURANT CONTINU:** (Fig. 20)  
Le disjoncteur de courant continu coupe le courant lorsque le courant dépasse sa limite.

Vérifier que l'appareil ne consomme pas trop de courant et qu'il n'est pas défectueux. Après s'être assuré que tout est en ordre, pousser le bouton en position armée (ON).



**ATTENTION : SI LE DISJONCTEUR CONTINUE DE SAUTER, S'ASSURER QUE L'APPAREIL N'EST PAS DÉFECTUEUX. SI LE GROUPE ÉLECTROGÈNE FONCTIONNE MAL, VOIR VOTRE CONCESSIONNAIRE OU CENTRE DE RÉPARATION AGRÉE JOHN DEERE.**

**IL NE FAUT JAMAIS INTERFÉRER AVEC LE FONCTIONNEMENT DU TÉTON DU DISJONCTEUR OU LE POUSSER DE MANIÈRE RÉPÉTÉE EN POSITION ARMÉE (ON).**

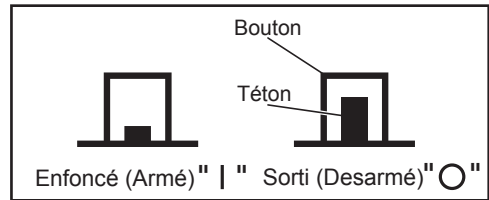
**LANCEUR à RAPPEL:** (Fig. 21)  
Tirer cette poignée pour démarrer le groupe électrogène.

**BORNE DE TERRE :** (Fig. 22)  
La borne pour mise à la terre du groupe électrogène.

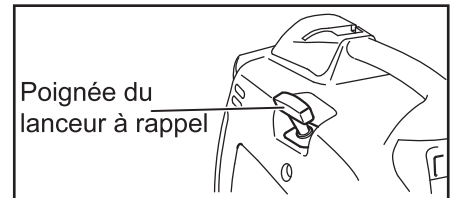
**BOUCHON DU RÉSERVOIR DE CARBURANT:** (Fig. 23)  
Le bouchon du réservoir de carburant se trouve sous le couvercle. Pour ouvrir le couvercle, soulever vers le haut puis basculer vers le côté du silencieux comme le montre le dessin. Enlever le bouchon du réservoir de carburant en tournant dans le sens contraire des aiguilles d'une montre.

**PANNEAU DE COTÉ:** (Fig. 24)  
Afin d'avoir accès aux points d'entretien suivants, enlever le panneau de côté approprié en enlevant la vis avec un tournevis.

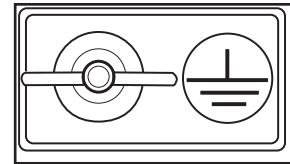
Panneau de côté gauche – Filtre à air, etc.  
Panneau de côté droit – Jauge de niveau d'huile, Bobine d'Allumage, Bougie, etc.



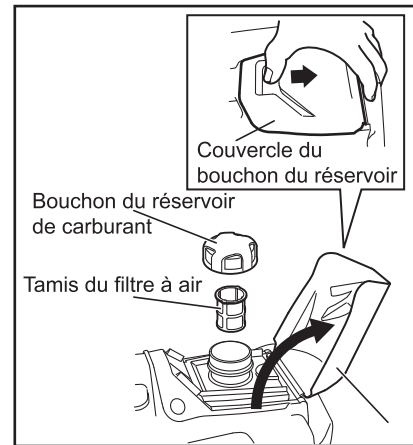
(Fig. 20)



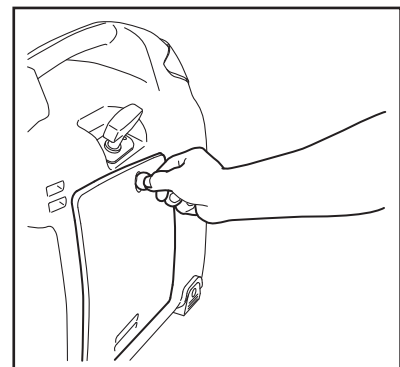
(Fig. 21)



(Fig. 22)



(Fig. 23)



(Fig. 24)

# Préparation du groupe électrogène

## INSTRUCTIONS DE MISE À LA TERRE

Ce produit doit être mis à la terre. En cas de mauvais fonctionnement ou de panne, la mise à la terre fournit un chemin de moindre résistance au courant électrique, réduisant ainsi les risques de choc électrique.

**DANGER - UN BRANCHEMENT INCORRECT DU CONDUCTEUR DE MISE À LA TERRE DE L'ÉQUIPEMENT PEUT ENTRAÎNER DES RISQUES D'ÉLECTROCUTION. VÉRIFIER AVEC UN DÉPANNEUR OU UN ÉLECTRICIEN QUALIFIÉ EN CAS DE DOUTES CONCERNANT LA MISE À LA TERRE.**

Il faut obligatoirement utiliser la borne de terre pour connecter le châssis du groupe électrogène à une prise de terre adéquate. Le raccordement à la terre devra être effectué avec du fil Numéro 8. Relier solidement le fil de terre à la borne de terre. Relier solidement l'autre extrémité du fil de terre à une prise de terre adéquate. (Fig. 1)

Le code national électrique contient plusieurs exemples pratiques de création d'une prise de terre. Les exemples ci-dessous illustrent quelques-unes des méthodes de création d'une bonne prise de terre.

Une conduite d'eau souterraine métallique en contact direct avec la terre sur au moins 10 pieds (3 mètres) peut être utilisée comme terre. Si une conduite d'eau n'est pas disponible, on pourra utiliser une tige ou un tuyau de 8 pieds (2m50) de long. Dans le cas d'un tuyau, ce dernier devra avoir un diamètre d'au moins  $\frac{3}{4}$  de pouce avec une surface extérieure anticorrosion. Dans le cas d'une tige en fer ou en acier, le diamètre minimal sera de  $\frac{5}{8}$  pouce; dans le cas d'une tige en métal non ferreux, cette dernière devra avoir un diamètre minimal de  $\frac{1}{2}$  pouce et son métal devra figurer sur la liste des métaux agréés pour la mise à la terre. Enfoncer le tuyau ou la tige dans le sol jusqu'à une profondeur de 8 pieds (2m50). Si l'on rencontre de la roche à moins de 4 pieds (1m25), enterrer le tuyau ou la tige dans une tranchée. Tous les outils électriques et les appareils raccordés à ce groupe électrogène devront obligatoirement soit être mis à la terre au moyen d'un fil de terre, soit être à double isolation.

Il est recommandé de:

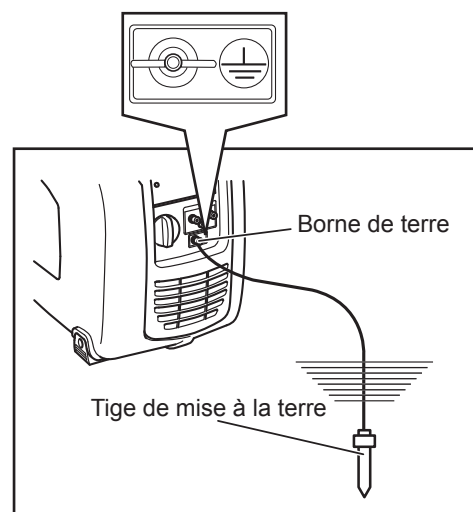
1. D'utiliser des appareils électriques munis de cordons d'alimentation à 3 broches.
2. D'utiliser une rallonge munie d'une prise à 3 trous et d'une fiche à 3 broches à ses extrémités opposées afin d'assurer la continuité de la ligne de terre entre le groupe électrogène et l'appareil.

Nous recommandons fortement de vérifier et de respecter la bonne application de toutes les réglementations fédérales, d'état et locales relatives aux spécifications de mise à la terre.

## COMMUTATEUR DE TRANSFERT INVERSEUR DE SOURCE

Si le groupe électrogène est destiné à être utilisé en secours, il doit obligatoirement y avoir un commutateur de transfert inverseur de source entre le réseau électrique principal et le groupe électrogène. Ce commutateur non seulement empêche le courant de ce réseau de parvenir au groupe électrogène, mais il empêche aussi le groupe électrogène d'alimenter les lignes de la compagnie d'électricité. Ceci afin de protéger tout réparateur effectuant une intervention sur une ligne endommagée.

**CETTE INSTALLATION DOIT ÊTRE EFFECTUÉE PAR UN ÉLECTRICIEN LICENCIÉ EN RESPECTANT OBLIGATOIREMENT LES CODES LOCAUX.**



(Fig. 1)

## AVANT LE DÉMARRAGE

### HUILE DU MOTEUR:

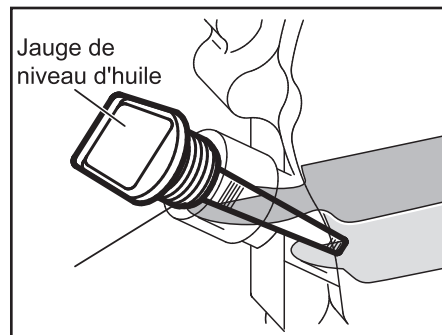
Avant de vérifier le niveau d'huile ou rajouter de l'huile, s'assurer que le groupe électrogène se trouve sur une surface stable et plane et que le moteur est à l'arrêt.

1. Retirer la jauge de niveau d'huile et vérifier le niveau d'huile du moteur. (Fig. 2)
2. Si le niveau d'huile est sous la ligne de la marque inférieure, remplir avec une huile appropriée jusqu'à la ligne de la marque supérieure. Ne pas visser la jauge de niveau d'huile quand vous vérifiez le niveau d'huile. (Fig.3)
3. Changer l'huile si elle est contaminée. (Voir « Tableau d'Entretien; Changer l'huile du moteur » page 65).

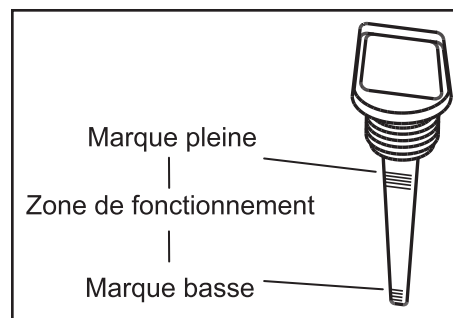
Capacité d'huile .....0.106 gal./0.4 litres.

### Huile de moteur recommandée:

L'huile John Deere PLUS-4 est l'huile recommandée. Si de l'huile John Deere PLUS-4 n'est pas disponible, utiliser de l'huile automobile détergente 4-temps de classification API SE ou plus élevée (SG, SH ou SJ recommandées). Si une huile à viscosité simple est utilisée, choisissez la viscosité adéquate pour la température moyenne dans votre région. (Fig. 4)



(Fig. 2)



(Fig. 3)

	5W	10W	20W	#20	#30	#40
Simple grade						
Multigrade	10W-30					
	10W-40					
Température ambiante	-20	-10	0	10	20	30 40°C
	-4	14	32	50	68	86 104°F

(Fig. 4)

## AVANT LE DÉMARRAGE

APPROVISIONNEMENT EN CARBURANT:

 **AVERTISSEMENT: CARBURANT EXPLOSIF!! L'ESSENCE EST EXTRÊMEMENT INFLAMMABLE ET SES VAPEURS PEUVENT EXPLOSER SI ELLES S'ENFLAMMENT.**

**IL NE FAUT ENTREPOSER L'ESSENCE QUE DANS DES CONTENEURS HOMOLOGUÉS, DANS DES BÂTIMENTS BIEN AÉRÉS, NON OCCUPÉS ET À L'ÉCART DES ÉTINCELLES ET DES FLAMMES.**

**NE PAS REMPLIR LE RÉSERVOIR DE CARBURANT LORSQUE LE MOTEUR EST CHAUD OU EN MARCHÉ CAR L'ESSENCE RENVERSÉE PEUT S'ENFLAMMER SI ELLE ENTRE EN CONTACT AVEC LES PARTIES CHAUDES OU LES ÉTINCELLES PROVENANT DE L'ALLUMAGE. NE PAS METTRE LE MOTEUR EN MARCHÉ PRÈS DE CARBURANT QUI A ÉTÉ RENVERSÉ.**

**NE JAMAIS UTILISER D'ESSENCE COMME PRODUIT DE NETTOYAGE.**

 **AVERTISSEMENT: NE PAS TROP REMPLIR LE RÉSERVOIR DE CARBURANT, LAISSER TOUJOURS DE LA PLACE POUR QUÉ LE CARBURANT SE DILATE.**

1. Si le niveau de carburant est bas, remplir avec de l'essence automobile sans plomb.
2. Le niveau de carburant ne doit jamais dépasser la marque ROUGE du goulot de remplissage.
3. S'assurer que le tamis du filtre à essence est bien en place dans son conduit. (Fig. 6)

Capacité de carburant du réservoir ..... 0.92 gal./3.5 litres

4. Lorsque vous vous servez du groupe électrogène pour la première fois ou si le groupe s'arrête à cause d'un manque de carburant, tirer la poignée du lanceur à rappel plusieurs fois après avoir rempli le réservoir de carburant jusqu'à la marque ROUGE du goulot de remplissage.

 **AVERTISSEMENT: REVOIR CHAQUE AVERTISSEMENT AFIN D'ÉVITER LES RISQUES D'INCENDIE.**

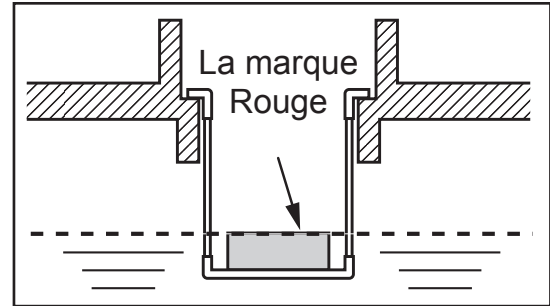
**NE PAS RAVITAILLER EN CARBURANT LORSQUE LE MOTEUR MARCHE OU EST CHAUD.**

**AVANT DE RAVITAILLER EN CARBURANT, PLACER LA COMMANDE DU MOTEUR À LA POSITION "  " (ARRÊT).**

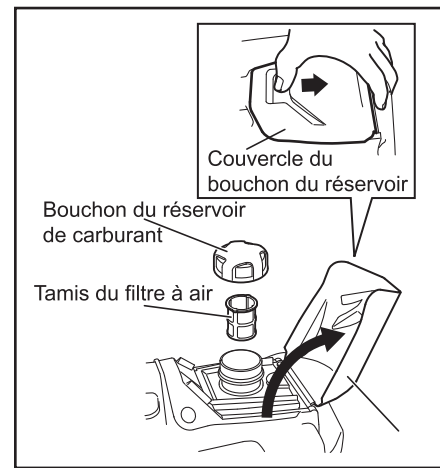
**FAIRE ATTENTION À NE PAS LAISSER ENTRER DE POUSSIÈRE, SALETÉ, EAU OU AUTRES CORPS ÉTRANGERS DANS LE CARBURANT.**

**ESSUYER BIEN TOUT CARBURANT RENVERSÉ AVANT DE DÉMARRER LE MOTEUR.**

**SE TENIR À L'ÉCART DE FLAMMES NUES.**



(Fig. 5)



(Fig. 6)



## AVANT LE DÉMARRAGE

Ravitaillement en carburant (suite):

### Recommandations générales

- Acheter de l'essence en petite quantité et l'entreposer dans des conteneurs propres et homologués.
- Pour minimiser les dépôts de gomme dans le système de carburant et pour assurer un démarrage facile, ne pas utiliser d'essence restant de la saison précédente.
- Ne pas ajouter d'huile à l'essence.

### Type d'essence

- Pour obtenir les meilleurs résultats, utiliser de l'essence sans plomb, propre, fraîche, avec un indice d'octane à la pompe d'au moins 87.
- L'essence sans plomb est recommandée car elle laisse moins de dépôts dans la chambre de combustion.

### MÉLANGES D'ESSENCE ET D'ALCOOL:

L'essence-alcool (jusqu'à 10% d'alcool éthylique, 90% d'essence sans plomb par volume) est approuvée comme carburant. D'autres mélanges essence/alcool ne sont pas approuvés.

### MÉLANGES D'ESSENCE ET D'ÉTHER:

Les mélanges d'éther méthyl-tertiobutylique (MTBE) et d'essence sans plomb (jusqu'à un maximum de 15% MTBE par volume) sont des carburants approuvés. D'autres mélanges essence/éther ne sont pas approuvés.

## AVANT LE DÉMARRAGE

VÉRIFIER LES PIÈCES COMPOSANTES:

**Vérifier les points suivants avant de démarrer le moteur:**

1. Fuites de carburant provenant de tuyaux, etc.
2. Boulons ou écrous desserrés.
3. Composants cassés ou endommagés.
4. Le groupe ne doit pas reposer sur ou contre des éléments électriques voisins.

INSPECTER LES ALENTOURS DU GROUPE:

Lorsque vous écoutez la radio près du groupe électrogène, le son de la radio peut être perturbé à cause de la condition des ondes de radio et la performance de la radio.

**Revoir chaque avertissement afin d'éviter les risques d'incendie.**



**AVERTISSEMENT : MAINTENIR LA ZONE DE TRAVAIL LIBRE DE TOUTE SUBSTANCE INFLAMMABLE OU D'AUTRE MATÉRIAU DANGEREUX.**

**MAINTENIR LE GROUPE À UNE DISTANCE D'AU MOINS 3 PIEDS (1 MÈTRE) DE TOUT BÂTIMENT OU AUTRES STRUCTURES.**

**NE SE SERVIR DU GROUPE QUE DANS UN ENDROIT SEC ET BIEN VENTILÉ.**

**MAINTENIR LE TUYAU D'ÉCHAPPEMENT LIBRE DE TOUT CORPS ÉTRANGER.**

**TENIR LE GROUPE À L'ÉCART DE FLAMMES NUES. NE FUMER PAS !**

**MAINTENIR LE GROUPE SUR UNE SURFACE STABLE ET PLANE.**



**NE PAS BLOQUER LES CONDUITS D'AIR DU GROUPE AVEC DU PAPIER OU AUTRE MATIÈRE.**

# Fonctionnement

## FONCTIONNEMENT

### DÉMARRAGE DU GROUPE:


**ATTENTION : VÉRIFIER LE NIVEAU D'HUILE AVANT TOUTE UTILISATION EN SUIVANT LES INSTRUCTIONS À LA PAGE 63.**


1. S'assurer que tous les appareils sont débranchés du groupe.
2. Mettre la commande du moteur à la position «  » (STARTER) (fig. 7). (Quand le moteur est chaud ou la température est haute, démarrer le moteur avec la commande en position «  » (MARCHÉ)).

**ATTENTION: NE PAS BRANCHER D'APPAREILS DONT LES FILS ET/OU LES PRISES SONT DÉFECTUEUX.**

**S'ASSURER QUE LES APPAREILS NE SONT PAS BRANCHÉS AU GROUPE LORS DU DÉMARRAGE. LE FAIT DE DÉMARRER LE GROUPE AVEC UN APPAREIL BRANCHÉ PEUT ENDOMMAGER LE GROUPE ET/OU L'APPAREIL ET ÊTRE LA CAUSE DE BLESSURES PERSONNELLES.**

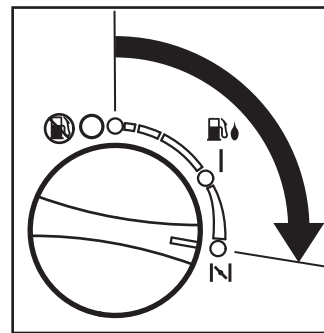
3. Tirer la poignée du lanceur à rappel lentement jusqu'à ce que le point de compression soit dépassé (vous sentirez une résistance), puis ramener la poignée en sa position de départ et tirer vivement. (Fig.8)
4. Une fois démarré, laisser la poignée du lanceur à rappel se remettre en sa position de départ sans la lâcher.

**NOTE:** Si le moteur ne démarre pas après plusieurs tentatives, répéter les procédures de démarrage citées ci-dessus avec la commande du moteur en position de «  » (MARCHÉ).

5. Après 20 à 30 secondes d'échauffement du moteur, tourner la commande du moteur et la mettre en position «  » (MARCHÉ). (Fig. 9)
6. S'assurer que le voyant de puissance fournie est allumé. Ceci assure que le groupe électrogène fonctionne correctement.

**NOTE:** S'entretenir avec un concessionnaire John Deere agréé si le voyant de puissance fournie n'est pas allumé pendant utilisation.

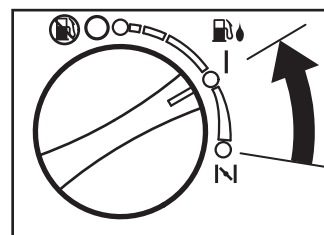
7. Tester la/les prise avec disjoncteur différentiel (GFCI) de l'appareil. Pousser le bouton d'essai. Le bouton de réenclenchement devrait ressortir et il ne devrait pas y avoir de courant à la prise. Appliquer une charge d'essai ou brancher une lampe sur chaque prise pour vérifier. SI LE BOUTON DE RÉENCLÈCHEMENT NE RESSORT PAS, NE PAS SE SERVIR DE LA/DES PRISE. VOIR VOTRE CONCESSIONNAIRE POUR UN ENTRETIEN IMMÉDIAT.
8. Si le test de la/des prise avec disjoncteur différentiel (GFCI) est positif, appuyer fermement sur le bouton de réenclenchement pour rétablir le courant. Vous devriez entendre ou sentir un déclic distinctif lorsque ceci est accompli. SI LA/LES PRISE NE SE RÉENCLÈCHE(NT) PAS CORRECTEMENT, NE PAS S'EN SERVIR. VOIR VOTRE CONCESSIONNAIRE.



(Fig. 7)



(Fig. 8)



(Fig. 9)

## FONCTIONNEMENT

### UTILISATION DE COURANT ÉLECTRIQUE:



**AVERTISSEMENT : S'ASSURER QUE L'APPAREIL EST ÉTEINT AVANT DE LE BRANCHER AU GROUPE ÉLECTROGÈNE.**

**NE PAS DÉPLACER LE GROUPE PENDANT QU'IL FONCTIONNE.**

**S'ASSURER QUE LE GROUPE EST RELIÉ À LA TERRE. IL Y A RISQUE DE CHOC ÉLECTRIQUE SI L'APPAREIL N'EST PAS RELIÉ À LA TERRE.**

### USAGE AU COURANT ALTERNATIF:

1. S'assurer que le voyant de puissance fournie est allumé.
2. Mettre la/les commande(s) des appareils électriques à l'arrêt avant de les brancher au groupe électrogène.
3. Insérer la/les prise(s) des appareils électriques dans la prise femelle. (Fig. 10)

- En vous référant à la table 1, vérifier que la prise de l'appareil est compatible avec la prise femelle du groupe.
- S'assurer que la puissance en watts totale de tous les appareils branchés ne dépasse pas la puissance nominale du groupe, voir caractéristiques à la page 69.

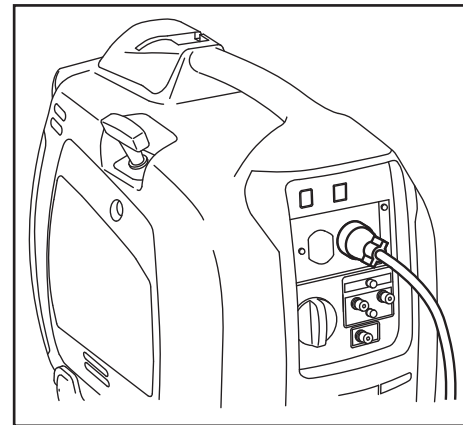
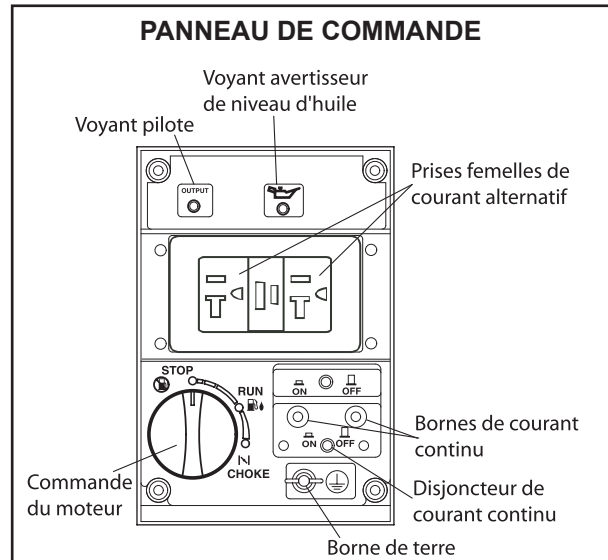


**AVERTISSEMENT : NE PAS OUBLIER DE RELIER LE GROUPE ÉLECTROGÈNE À LA TERRE SI L'APPAREIL ÉLECTRIQUE BRANCHÉ EST RELIÉ À LA TERRE.**

**NOTE:** Le groupe électrogène est équipé d'un voyant de surcharge. Si le groupe s'arrête alors que vous vous en servez, il se peut qu'il soit surchargé ou que l'appareil branché soit défectueux.

*Arrêter le groupe électrogène immédiatement, vérifier que l'appareil et/ou le groupe électrogène ne sont pas surchargés, et faire réparer si nécessaire par un concessionnaire John Deere agréé.*

4. Mettre la commande de l'appareil en position de marche.



(Fig. 10)

Style	Prise femelle	Prise Mâle		Description
	NEMA 5-20R	NEMA 5-15P	NEMA 5-20P	GFCI (Disjoncteur différentiel), Prise de courant double

Table 1

## FONCTIONNEMENT

### UTILISATION DE COURANT CONTINU :

La borne de courant continu ne sert qu'à charger les batteries de 12 Volts. Elle fournit jusqu'à 12V – 8.3A (100 W) de puissance maximum. (Fig. 11)

### RACCORD DES CÂBLES:

Raccorder la borne positive (rouge) du groupe électrogène à la borne positive (+) de la batterie.

Raccorder la borne négative (noire) du groupe électrogène à la borne négative (-) de la batterie.

Les sorties de courant continu et de courant alternatif peuvent être utilisées simultanément à condition que la puissance totale consommée soit inférieure à la puissance nominale du groupe électrogène.

### PRÉCAUTIONS DE SÉCURITÉ PENDANT LA CHARGE:




**AVERTISSEMENT: UN GAZ D'HYDROGÈNE EXPLOSIBLE EST DÉCHARGÉ PAR LES TROUS D'AÉRATION DE LA BATTERIE PENDANT LE PROCESSUS DE CHARGE. MAINTENIR LE GROUPE ÉLECTROGÈNE ET LA BATTERIE À L'ÉCART D'ÉTINCELLE OU DE FLAMMES NUES PENDANT LE PROCESSUS DE CHARGE.**

**LE FLUIDE ÉLECTROLYTE PEUT BRÛLER LES YEUX ET LES HABITS. FAIRE TRÈS ATTENTION À ÉVITER TOUT CONTACT. SI BLESSÉ, LAVER IMMÉDIATEMENT LA ZONE ATTEINTE AVEC DE GRANDE QUANTITÉ D'EAU ET CONSULTER UN DOCTEUR POUR DES SOINS MÉDICAUX.**

Lors de la charge d'une batterie de grande capacité ou d'une batterie complètement déchargée, un courant excessif pourrait déclencher le disjoncteur de courant continu.

Les défauts de la batterie peuvent déclencher le disjoncteur de courant continu. Inspecter la batterie avant de réarmer le disjoncteur de courant continu.

### ARRÊTER LE GROUPE ÉLECTROGÈNE:

1. Mettre l'interrupteur de l'équipement électrique à l'arrêt et débrancher le fil électrique de la prise femelle du groupe électrogène.
2. Permettre au moteur de refroidir pendant environ 3 minutes en marche à vide avant de l'arrêter.
3. Mettre la commande du moteur en position «  » (ARRÊT). (Voir Fig. 12)

### DÉTECTEUR DE NIVEAU D'HUILE:

Le détecteur de niveau d'huile détecte la baisse du niveau d'huile dans le carter et arrête le moteur automatiquement quand le niveau d'huile tombe sous un niveau déterminé d'avance.

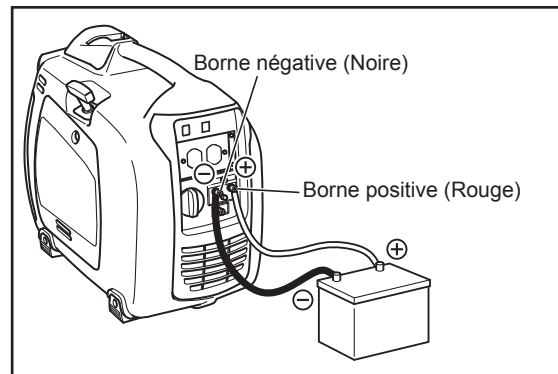
Une fois que le moteur s'est arrêté automatiquement, mettre le groupe électrogène à l'arrêt, et vérifier le niveau d'huile. Remplir l'huile du moteur jusqu'au niveau supérieur comme indiqué à la page 63 et redémarrer le moteur.

Si le moteur ne démarre pas en suivant les étapes de démarrage habituelles, vérifier le niveau d'huile.

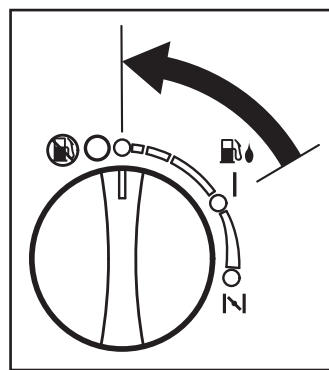


**ATTENTION : NE PAS RETIRER LA SONDE DÉTECTRICE D'HUILE LORS DU RAVITAILLEMENT EN HUILE.**

**RETIRER LE BOUCHON DE REMPLISSAGE D'HUILE DU CÔTÉ OPPOSÉ AU CARBURATEUR.**



(Fig. 11)



(Fig. 12)

## FONCTIONNEMENT

### INFORMATION SUR LA PUISSANCE EN WATTS:

Certains appareils électriques ont besoin d'une « pointe » d'énergie au démarrage. Ceci signifie que le montant de courant électrique nécessaire pour démarrer l'appareil peut dépasser le montant nécessaire pour son fonctionnement.

Les appareils électriques et les outils sont normalement pourvus d'une plaque signalétique indiquant la tension, la fréquence/Hz, l'intensité de courant (ampère) et la puissance électrique nécessaire pour faire fonctionner l'appareil ou l'outil.

Contactez votre concessionnaire ou votre service après-vente le plus proche si vous avez des questions concernant la puissance au démarrage de certains appareils ou outils.

- Les charges électriques telles que les lampes à incandescence et les plaques de cuisson demandent la même puissance en Watts au démarrage que pendant le fonctionnement.
- Les charges telles que les lampes fluorescentes ont besoin au démarrage de 1.2 à 2 fois la puissance en Watts indiquée.
- Les charges pour les lampes de mercure ont besoin au démarrage de 2 à 3 fois la puissance en Watts indiquée.
- Les moteurs électriques exigent un fort courant au démarrage. La puissance nécessaire dépend du genre de moteur et son utilisation. Une fois qu'assez de « pointe de puissance » a été fournie pour mettre en route le moteur, l'appareil exigera seulement 30% à 50% de la puissance en Watts pour continuer de fonctionner.
- La plupart des outils électriques ont besoin de 1.2 à 3 fois leur puissance nominale quand ils sont en charge durant leur utilisation.
- Les charges telles que les pompes submersibles et les compresseurs à air exigent une très grande force pour démarrer. Ils ont besoin de 3 à 5 fois leur puissance nominale de régime normal afin de démarrer.

**NOTE:** Le tableau de puissance en Watts suivant n'est qu'un guide général. Se référer à votre appareil spécifique pour la puissance en Watts correcte.

Afin de déterminer la puissance en Watts totale requise pour faire fonctionner un appareil ou un outil électrique particulier, multiplier la tension (en volts) de l'appareil/outil par son intensité (en ampères). Les renseignements concernant la tension et l'intensité du courant (ampères) se trouvent sur une plaque signalétique qui est normalement apposée sur les appareils électriques et les outils.



**ATTENTION : SI UN MOTEUR ÉLECTRIQUE NE RÉUSSIT PAS À DÉMARRER OU À ATTEINDRE SON RÉGIME NORMAL DE FONCTIONNEMENT, METTRE IMMÉDIATMENT L'APPAREIL OU L'OUTIL À L'ARRÊT AFIN D'ÉVITER D'ENDOMMAGER L'ÉQUIPEMENT. VÉRIFIER TOUJOURS LES BESOINS DE L'OUTIL OU DE L'APPAREIL QUE VOUS UTILISEZ COMPARÉ À LA PUISSANCE NOMINALE DU GROUPE ÉLECTROGÈNE.**

Applications	Puissance en Watts applicable (W) 60 Hz
Lampe à incandescence, Radiateur	approx. 900
Lampe fluorescente, Outil Electrique	approx. 450
Lampe de Mercure	approx. 250
Pompe de compresseur	approx. 200

## FONCTIONNEMENT

### TAILLE DE CÂBLE:

Quand une longue rallonge électrique est utilisée pour brancher un appareil ou un outil au groupe électrogène, il se produit une certaine baisse ou perte de tension dans la rallonge ce qui réduit la tension réelle disponible pour l'appareil ou l'outil. Le tableau ci-dessous a été préparé pour illustrer la perte de tension approximative quand une rallonge de 300 pieds (environ 100 mètres) est utilisée pour brancher un appareil ou un outil au groupe électrogène.

Une tension insuffisante risque d'endommager l'équipement. Par conséquent, pour éviter les chutes de tension excessives entre le groupe électrogène et l'équipement, le câble utilisé devra être de calibre suffisant par rapport à sa longueur. Le tableau de sélection des câbles indique la longueur maximale des câbles en fonction du calibre permettant d'acheminer les charges indiquées en toute sécurité.

Courant en Ampères	Charge en Watts		Longueur Maximale de câble (pieds)				
	120 Volts	240 Volts	#8 Fil	#10 Fil	#12 Fil	#14 Fil	#16 Fil
2.5	300	600		1000	600	375	250
5	600	1200		500	300	200	125
7.5	900	1800		350	200	125	100
10	1200	2400		250	150	100	50
15	1800	3600		150	100	65	
20	2400	4800	175	125	75	50	
25	3000	6000	150	100	60		
30	3600	7200	125	65			
40	4800	9600	90				

## FONCTIONNEMENT

### PARE-ÉTINCELLES:

Dans un endroit sec ou boisé, il est recommandé de se servir de cet appareil avec un pare-étincelles. Certains endroits exigent l'utilisation d'un pare-étincelles. Veuillez vérifier les lois et les réglementations locales avant de vous servir de cet appareil.

Le pare-étincelles doit être nettoyé régulièrement afin qu'il continue de fonctionner correctement.

### Un pare-étincelles bouché:

- Empêche l'évacuation des gaz d'échappement.
- Réduit la puissance du moteur.
- Augmente la consommation de carburant.
- Rend le démarrage difficile.



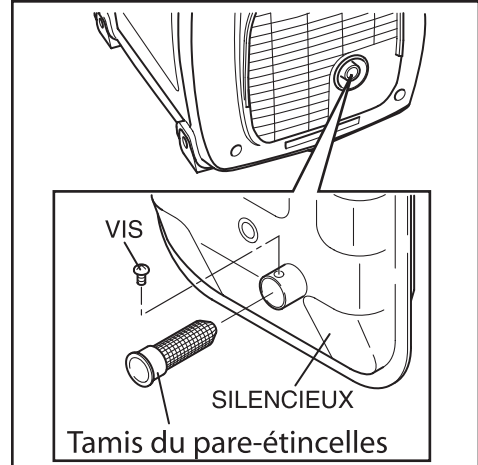
**ATTENTION : LE SILENCIEUX ET LE PARE-ÉTINCELLES SERONT TRÈS CHAUDS SI LE MOTEUR A FONCTIONNÉ. LAISSER LE SILENCIEUX REFROIDIR AVANT DE NETTOYER LE PARE-ÉTINCELLES.**

Comment enlever le pare-étincelles (Fig. 13):

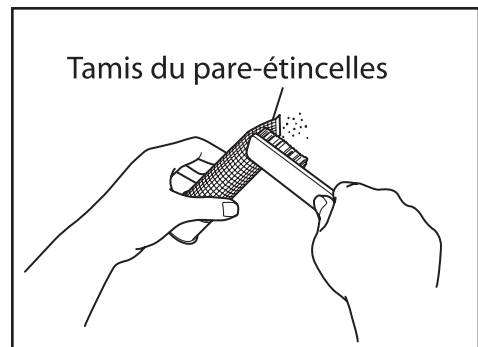
1. Retirer les boulons à collet du panneau du silencieux et retirer le panneau du silencieux.
2. Retirer la vis spéciale du pare-étincelles et retirer le pare-étincelles du silencieux.

Nettoyer le tamis du pare-étincelles (Fig. 14):

1. Utiliser une brosse pour enlever les dépôts de carbone se trouvant sur le tamis du pare-étincelles. Faire attention à ne pas endommager le tamis.
2. Le pare-étincelles ne doit avoir aucune brèche ou déchirures. Remplacer le pare-étincelles s'il est endommagé.
3. Installer le pare-étincelles et la protection du silencieux dans l'ordre inverse du montage



(Fig. 13)



(Fig. 14)



# Dépannage

Quand le groupe électrogène ne démarre pas après plusieurs essais ou si de l'électricité n'est pas disponible à la prise de sortie, se référer au tableau suivant. Si votre groupe électrogène n'arrive toujours pas à démarrer ou à produire de l'électricité, contacter votre concessionnaire ou centre de réparation John Deere le plus proche pour plus de renseignements ou pour les procédures de réparation à suivre.

Symptôme	Problème	Solution
<b>Le moteur ne démarre pas.</b>	Voir si l'interrupteur du moteur est en position d'arrêt (OFF).	Mettre l'interrupteur du moteur en position de "  " (STARTER).
	Le réservoir de carburant est vide.	Remplir le réservoir en faisant attention à ne pas trop le remplir.
	Vérifier que le groupe électrogène n'est pas relié à un appareil.	Si le groupe est relié à un appareil, mettre l'interrupteur de l'appareil branché à l'arrêt et débrancher.
	Vérifier que le capuchon de la bougie n'est pas desserré.	Si le capuchon est desserré, remettre le capuchon de la bougie en place.
	Vérifier que la bougie n'est pas contaminée.	Enlever la bougie et nettoyer l'électrode.
<b>Pas de courant en sortie du groupe électrogène. (Le voyant de puissance fournie est allumé)</b>	Vérifier le niveau d'huile du moteur.	Si le niveau d'huile du moteur est bas, ajouter de l'huile conformément à « Avant le démarrage; Huile du Moteur » à la page 63.
	Examiner les disjoncteurs de courant alternatif et de courant continu. Voir si le disjoncteur de courant continu est en position d'arrêt.	Appuyer sur le disjoncteur et le placer en position de marche (ON), après avoir vérifié que le niveau de courant électrique est normal et que le/les appareil(s) électrique(s) est/sont en bonne condition.
	Voir si les appareils étaient déjà branchés sur le groupe électrogène quand le moteur a été mis en marche.	Mettre l'appareil à l'arrêt et débrancher le câble de la prise. Rebrancher après que le groupe électrogène ait été démarré correctement.
<b>Pas de courant en sortie du groupe électrogène. (Le voyant de puissance fournie est éteint)</b>	Peu de Puissance.	Les brosses de carbone sont excessivement usées. Contacter un centre de service après-vente ou un concessionnaire John Deere agréé.
		Contactez un centre de service après-vente ou un concessionnaire John Deere agréé.

# Entretien

## PROGRAMME D'ENTRETIEN

L'entretien, le remplacement ou la réparation des dispositifs et systèmes de contrôle d'émissions doivent être effectués par un centre de service après vente ou un concessionnaire John Deere agréé.

### INSPECTION QUOTIDIENNE:

Avant d'utiliser le groupe électrogène, vérifier les points d'entretien suivants:

- Fuite d'essence et d'huile du moteur.
- Prise de courant alternatif et borne de courant continu abîmées.
- Vibration, bruit excessif.
- Boulons, écrous ou plaques desserrés ou cassés.
- Nettoyer l'élément de filtre à air.

### ENTRETIEN PÉRIODIQUE:

Un entretien périodique est indispensable à un fonctionnement efficace et sans danger de votre groupe électrogène.

Voir le Tableau d'Entretien Périodique pour les intervalles d'entretien périodique à respecter.

**NOTE : LE REMPLACEMENT, LA RÉPARATION ET LE RÉGLAGE DE CES PIÈCES DOIVENT ÊTRE EFFECTUÉS PAR UN CENTRE DE SERVICE APRÈS-VENTRE OU UN CONCESSIONNAIRE JOHN DEERE AGRÉÉ.**

Le système de contrôle d'émission se compose des parties suivantes:

- Le carburateur et les pièces internes.
- Le système d'enrichissement au démarrage à froid, si applicable.
- Collecteur d'admission, si applicable.
- Élément de filtre à air.
- Bougie.
- Magnéto ou circuit d'allumage électronique.
- Système d'avance/retard à l'allumage, si applicable.
- Tubulure d'échappement, si applicable.
- Tuyaux, courroies, connecteurs, et assemblage.

**PROGRAMME D'ENTRETIEN****TABLEAU D'ENTRETIEN PÉRIODIQUE:**

Le programme d'entretien indiqué dans le tableau est basé sur un emploi normal du groupe électrogène. Si le groupe électrogène est utilisé dans des conditions extrêmement poussiéreuses ou dans des conditions de fortes charges, les intervalles d'entretien doivent être diminués selon la contamination de l'huile, l'encrassement des éléments du filtre, l'usure des pièces, et ainsi de suite.

Opération d'entretien	Toutes les 8 heures (Quotidiennement)	Toutes les 20 heures	Toutes les 50 heures (Hebdomadairement)	Toutes les 100 heures	Toutes les 200 heures (Mensuellement)	Toutes les 500 heures	Toutes les 1000 heures
Nettoyer le groupe électrogène et examiner les boulons et écrous.	•						
Vérifier le niveau d'huile et remplir au besoin.	• (Remplir quotidiennement jusqu'au niveau supérieur)						
Prises de courant alternatif	•						
Borne de courant continu	•						
Commande du moteur	•						
Nettoyer l'élément de filtre à air			•				
Nettoyer la bougie.			•				
Changer l'huile pour moteur. *		• (Initial)		•			
Pare-étincelles				•			
Remplacer l'élément de filtre à air					•		
Nettoyer le filtre à carburant.					•		
Nettoyer et régler la bougie et l'écartement des électrodes.					•		
Remplacer la bougie.						•	
Enlever le carbone de la culasse. **						•	
Vérifier et régler le jeu de soupape. **						•	
Nettoyer et régler le carburateur. **						•	
Nettoyer et remplacer les brosses de carbone. **						•	
Révision du moteur. **							•
Rotor **							•
Stator **							•
Remplacer le support de moteur **							•
Remplacer les conduits d'essence **							Annuellement

\* **NOTE:** La vidange d'huile initiale doit être exécutée après les premières vingt (20) heures de service. Par la suite, changer l'huile toutes les cent (100) heures. Avant de changer l'huile, trouver une façon convenable de se débarrasser de l'huile usée. Vos réglementations de zonage locales ou de l'environnement vous donneront des instructions plus détaillées à ce propos.

\*\***NOTE:** Contacter votre concessionnaire John Deere agréé pour la procédure à suivre pour ces opérations d'entretien.

## PROGRAMME D'ENTRETIEN

### VIDANGE D'HUILE:

Changer l'huile après les premières 20 heures de service. Par la suite, il faut la changer toutes les 100 heures.

1. Vider l'huile en enlevant le bouchon de vidange et le bouchon de remplissage d'huile pendant que le moteur est chaud. (Fig. 15)
2. Remettre le bouchon de vidange et remplir le moteur d'huile jusqu'à ce que l'huile atteigne le niveau supérieur du bouchon de remplissage d'huile.

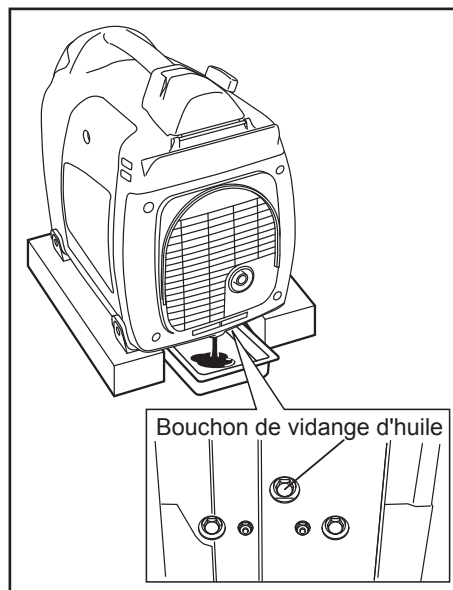
**NOTE:** L'huile John Deere PLUS-4 est l'huile recommandée. Si de l'huile John Deere PLUS-4 n'est pas disponible, utiliser de l'huile automobile détergente 4-temps de classification API SE ou plus élevée (SG, SH ou SJ recommandées). Si de l'huile contaminée ou détériorée est utilisée ou si la quantité d'huile n'est pas suffisante, des dégâts au moteur en résulteront et la durée de vie du moteur sera considérablement réduite.

3. Se débarrasser de l'huile usée selon les réglementations de zonage local ou de l'environnement.

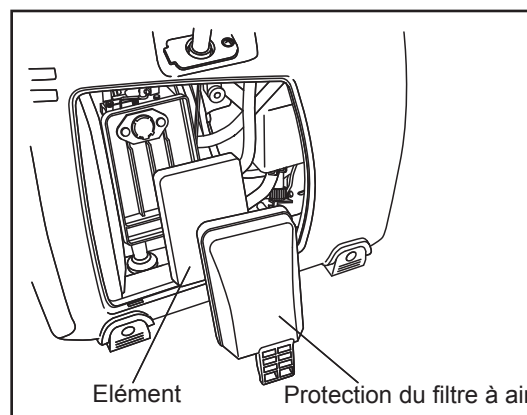
### ENTRETIEN DU FILTRE À AIR:

Il est très important de maintenir le filtre à air en bonne condition. Les saletés provenant d'éléments qui ont été installés improprement, entretenus improprement ou qui sont inadéquats abîment et usent les moteurs. L'élément doit toujours être propre. (Fig. 16)

1. Défaire la protection et enlever l'élément du filtre à air.
2. Mousse d'uréthane: Laver l'élément avec de l'eau fraîche. Faire sortir l'eau et sécher l'élément. (Ne pas tordre.)



(Fig. 15)



(Fig. 16)

## PROGRAMME D'ENTRETIEN

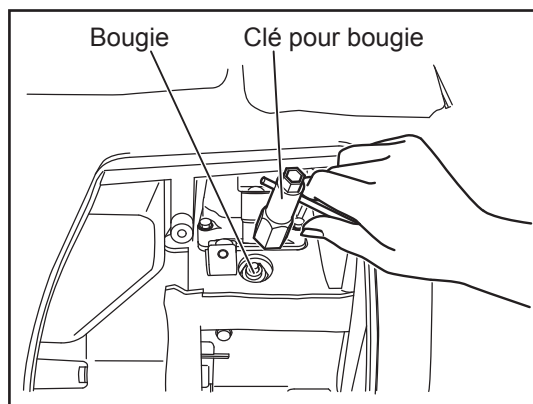
### NETTOYAGE ET RÉGLAGE DE L'ÉCARTEMENT DES BOUGIES:

Si la bougie est contaminée par du carbone, l'enlever avec un produit d'entretien pour bougie ou une brosse métallique. (Fig. 17)

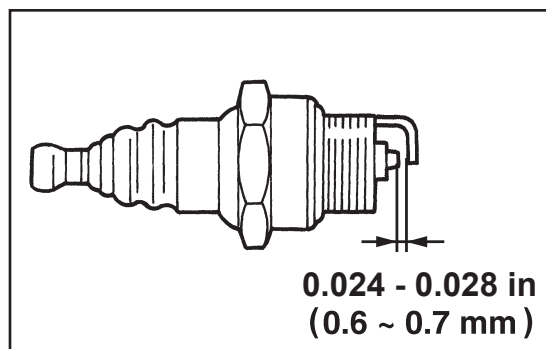
L'écartement des électrodes doit être de 0.6 à 0.7 mm (0.024 à 0.028 pouces). (Fig. 18)

Bougie Recommandée:

Bougie.....NGK BMR4A Champion



(Fig. 17)



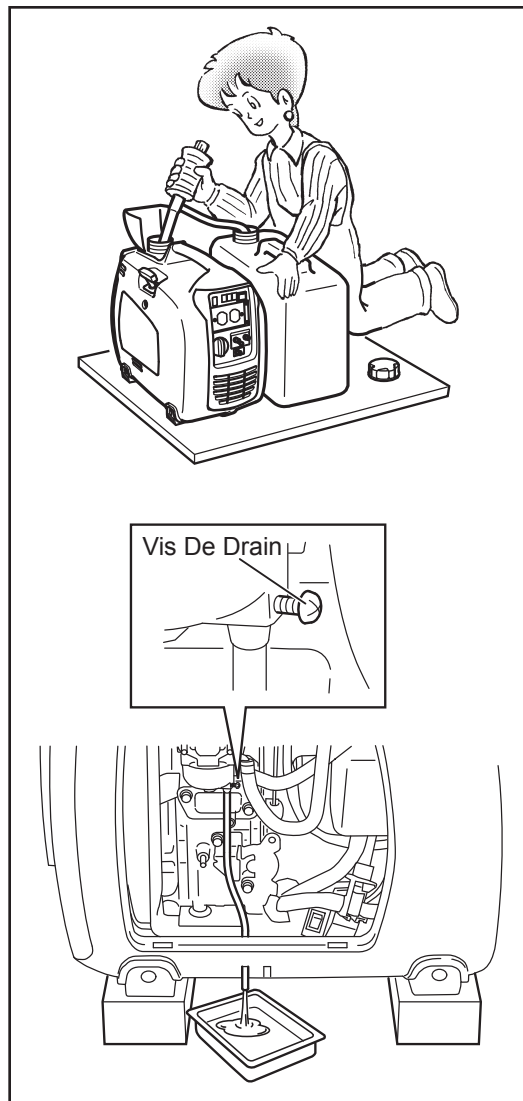
(Fig. 18)

# Remisage

## PRÉPARATION POUR REMISAGE

Les procédures suivantes doivent être suivies avant d'entreposer votre groupe électrogène pour des périodes qui s'étaleraient de 6 mois ou plus.

1. Vider le carburant du réservoir de carburant avec précaution en déconnectant la canalisation de carburant. Toute essence restant dans le réservoir de carburant finira par se détériorer rendant ainsi le démarrage du moteur difficile.
2. Pendant que vous videz le carburant du réservoir, il est préférable de se servir d'une pompe à main et de la placer dans l'orifice de ravitaillement en carburant. Ne pas renverser l'appareil pour vider le carburant.
3. Enlever la vis de décharge du carburateur. (Fig. 19)
4. Changer l'huile du moteur.
5. Vérifier qu'il n'y a pas d'écrous ou de boulons desserrés, les resserrer si nécessaire.
6. Nettoyer le groupe électrogène à fond avec un chiffon propre. **NE JAMAIS UTILISER D'EAU POUR NETTOYER LE GROUPE !**
7. Tirer la poignée du lanceur à rappel jusqu'à que vous sentiez une résistance; laisser la poignée dans cette position.
8. Entreposer le groupe dans un endroit bien ventilé et peu humide.



(Fig. 19)

# Caractéristiques

## CARACTÉRISTIQUES

ARTICLE	CARACTÉRISTIQUES
ALTERNATEUR .....	2-pôle, Champ Tournant, Auto-Excitation, Monophasé, Type de brosse AVR
Fréquence.....	60 Hz
Tension Nominale .....	AC 120V
Puissance Nominale .....	900 VA (0.9 kVA)
Intensité de courant nominale.....	7.5 A
Coefficient de puissance Nominale .....	1.0
Puissance Fournie de Courant continu.....	12V @ 8.3A
Protection de surintensité .....	Disjoncteur
SYSTEME DE MISE À LA TERRE .....	Terre du neutre
MOTEUR .....	Circulation forcée d'air, 4-temps, Moteur à Essence OHV
Déplacement.....	5.24 cu. in. (85.8 mL)
Carburant.....	Essence automobile sans plomb
Capacité du réservoir de carburant (gal./L) .....	0.93 / 3.5
Durée Nominale de Fonctionnement continu .....	3.5 Heures (approx.)
Système de démarrage .....	Lanceur à rappel
DIMENSION.....	Longueur: 19.3 in (490 mm) Largeur: 11.6 in (295 mm) Hauteur: 17.5 in (445 mm)
POIDS À SEC.....	56.1 lb. (25.5kg)
JEU DE SOUPAPE (Admission & échappement) (in/mm).....	0.0039±0.0012 / 0.1±0.03 <b>Note:</b> Régler le jeu de soupape quand le moteur est froid.
PÉRIODE DE DURABILITÉ DES ÉMISSIONS .....	250 heures (Californie seulement)



## NOTER LE NUMÉRO DE SÉRIE

Noter ci-dessous le numéro de modèle ainsi que le numéro de série et la date d'achat de votre appareil. Votre concessionnaire a besoin de ces renseignements lors des commandes de pièces

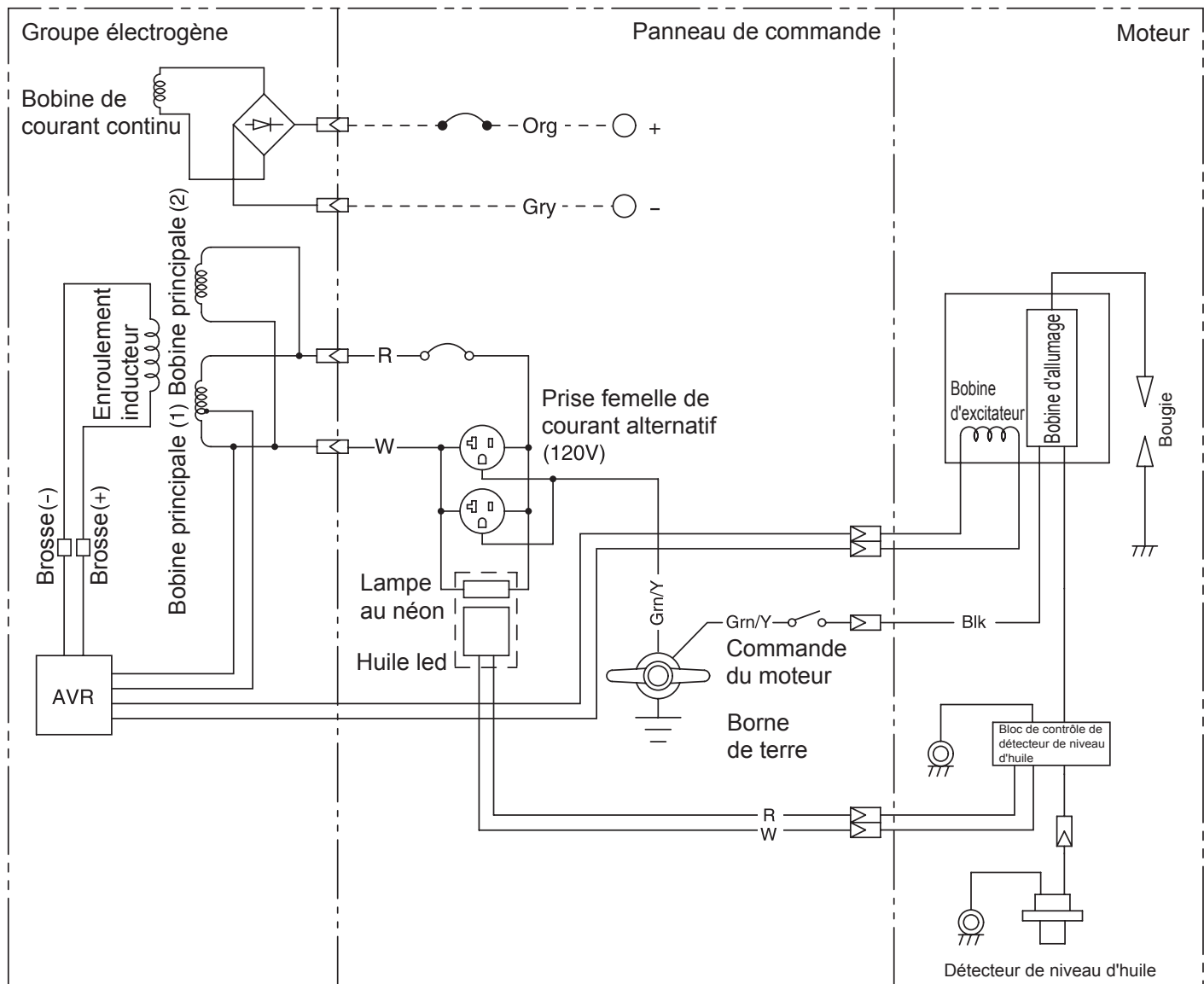
Numéro de modèle \_\_\_\_\_

Numéro de série \_\_\_\_\_

Date d'achat \_\_\_\_\_  
(À remplir par l'acheteur)

<input type="checkbox"/>	FOR ELECTRICAL EQUIPMENT ONLY	NOTICE 1. DO NOT USE IN RAIN OR SNOW. 2. DO NOT USE INDOORS DUE TO DANGER OF CARBON MONOXIDE POISONING.
 <small>LR45042</small>	POUR ACCESSOIRES ELECTRIQUES	AVIS 1. NE PAS UTILISER QUAND IL PLEUT OU IL NEIGE. 2. NE PAS UTILISER À L'INTÉRIEUR PAR SUITE DU DANGER CAUSÉ PAR L'OXYDE DE CARBONE.
• AC: 120V 60Hz 1Φ RATED 900VA • DC: 12V 8.3A 100W • Insulation system _____ B Système d'isolement		• Maximum ambient temperature _____ 40°C (104°F) Température ambiante maximum • Lubricant _____ 0.4L (0.85pt) Lubrifiant
 <b>JOHN DEERE</b> <small>MADE IN JAPAN</small>		<b>HR-G1100</b>

# Diagramme du câblage



## Code de couleur du câblage

Blk : Noir	LBlu : Bleu clair	Grn : Vert	Gry : Gris	Y : Jaune	Pur : Violet
Blk/W : Noir/Blanc	Brn : Marron	Grn/W : Vert/Blanc	R : Rouge	W/Blk : Blanc/Noir	
Blu : Bleu	Brn/W : Marron/Blanc	Org : Orange	W : Blanc	Grn/Y : Vert/Jaune	



# Garantie

## CONDITIONS DE LA GARANTIE

John Deere garantit toutes les pièces (à l'exception de celles stipulées ci-dessous), de votre nouveau groupe électrogène en cas de défauts de matériaux et de fabrication pendant les périodes suivantes:

Pendant deux (2) années à partir de la date d'achat initiale.

Les pièces défectueuses ne résultant pas d'une usure normale seront réparées ou remplacées à notre choix pendant la période de garantie. Quoi qu'il arrive, le remboursement est limité au prix d'achat.

## PIECES EXCLUES DE LA GARANTIE

1. Le moteur et le générateur sont garanti séparément par son fabricant et est sujet aux limites ci-inclus.
2. Cette garantie ne couvre pas les pièces endommagées par l'usure normale, une mauvaise utilisation, une utilisation abusive ou un fonctionnement autre que recommandé. La garantie ne couvre pas les dégâts provoqués par un mauvais suivi des procédures de fonctionnement et d'entretien .
3. L'utilisation de pièces de réparation autres que celles d'origine annule la garantie.
4. Les pièces renvoyées en port payé, à notre usine ou à un centre de réparation John Deere agréé seront inspectées et remplacées gratuitement si elles s'avèrent être défectueuses et couvertes par la garantie. Il n'existe aucune garantie prolongeant les dates d'expiration stipulées ci-dessus. Le fabricant n'est en aucun cas responsable des pertes d'usage, de temps ou de location, des dérangements causés, des pertes commerciales ou des dommages qui en résultent.

Pour toute question de service ou de garantie, s'adresser à  
Mi-T-M Corporation, 8650 Enterprise Drive, Peosta, IA 52068-0050  
Tél.: JD-KLEEN (1-877-535-5336) Fax 563-556-1235  
Du lundi au vendredi de 8h00 à 17h00, heure centrale

## DÉCLARATION DE GARANTIE CONTRÔLE D'ÉMISSIONS POUR LA CALIFORNIE VOS DROITS ET OBLIGATIONS DE GARANTIE

Le comité des ressources de l'air de la Californie et John Deere sont heureux d'expliquer la garantie du système de contrôle d'émissions de votre petit moteur non routier (désigné ci-dessous par "SORE"). En Californie, les nouveaux SOREs doivent être conçus, construits et équipés pour se conformer aux normes anti-smog rigoureuses de l'état.

John Deere doit garantir le système de contrôle d'émissions de vos SOREs pendant la durée de temps décrite ci-dessous, à condition qu'il n'y ait eu aucun abus, négligence ou entretien incorrect de vos SOREs.

Votre système de contrôle d'émissions peut inclure des pièces telles que le carburateur ou le système d'injection de carburant, les canalisations de carburant et le circuit d'allumage. Les tuyaux, attaches, connecteurs et autres pièces liés aux émissions peuvent aussi être inclus.

Quand une condition couverte par la garantie existe, John Deere réparera gratuitement votre petit moteur non-routier, y compris le diagnostic, les pièces et la main d'œuvre.

### COUVERTURE DE LA GARANTIE DU FABRICANT :

Le système de contrôle d'émissions est garanti pendant deux années. Si toute pièce liée aux émissions de votre moteur est défectueuse, elle sera réparée ou remplacée par John Deere.

### RESPONSABILITÉS DU PROPRIÉTAIRE VIS À VIS DE LA GARANTIE:

- En tant que propriétaire du SORE, vous êtes responsable de l'exécution des opérations d'entretien obligatoires énumérées dans le manuel du propriétaire. John Deere recommande que vous conserviez tous les reçus concernant l'entretien de votre SORE, mais John Deere ne peut dénier la garantie seulement à cause de reçus manquants.
- En tant que propriétaire du SORE, vous devez cependant être conscient que John Deere peut refuser la couverture de la garantie si votre SORE ou une pièce tombe en panne à cause d'abus, de négligence, d'entretien incorrect ou de modifications non approuvées.
- Vous êtes responsable de la présentation de votre SORE à un centre de distribution ou chez un concessionnaire réparateur agréé par John Deere - Mi-T-M Corporation, 8650 Enterprise Drive, Peosta, IA 52068 (désigné ci-dessous par John Deere) dès qu'un problème est identifié. Les réparations de garantie doivent être effectuées dans un délai raisonnable sans dépasser 30 jours.

Pour toute question relative à votre couverture de garantie, vous devez contacter le département Service après-vente de John Deere à JD-KLEEN (1-877-535-5336).

### COUVERTURE DE GARANTIE GÉNÉRALE DES SYSTÈMES D'ÉMISSIONS -La Californie Seulement-

John Deere garantit à l'acheteur initial et à chaque acheteur suivant que le SORE (1) a été conçu, fabriqué et équipé pour se conformer à tous les règlements en vigueur, et (2) est exempt de défauts de matière première ou de construction qui feraient qu'il ne soit pas conforme aux normes comme peut être applicable dans les termes et conditions indiquées ci-dessous.

- (a) La période de garantie commence à la date où le moteur est livré à l'acheteur initial ou lors de sa première utilisation. La période de garantie est de deux années.
- (b) La garantie des pièces relatives aux émissions, sujette à certaines conditions et exclusions telles qu'indiquées ci-dessous, est la suivante :
  - (1) Toute pièce sous garantie qui ne doit pas être remplacée au titre d'une révision obligatoire spécifiée dans votre manuel du propriétaire est garantie pour la période de garantie indiquée ci-dessus. Si la pièce s'avère défectueuse pendant la période de couverture de garantie, elle sera réparée ou remplacée par John Deere selon le paragraphe (4) ci-dessous. Toute pièce ainsi réparée ou remplacée au titre de la garantie sera garantie pendant le reste de la période de garantie.

- (2) Toute pièce sous garantie qui est seulement programmée pour une inspection régulière dans votre manuel du propriétaire est garantie pour la période de garantie indiquée ci-dessus. Toute pièce ainsi réparée ou remplacée au titre de la garantie sera garantie pendant le reste de la période de garantie.
- (3) Toute pièce sous garantie qui doit être remplacée au titre d'une révision obligatoire dans votre manuel du propriétaire n'est garantie que pendant la période de temps jusqu'à la première date de remplacement programmé pour cette pièce. La pièce sera réparée ou remplacée par John Deere selon le paragraphe (4) ci-dessous si elle s'avère défectueuse avant le premier remplacement programmé. Toute pièce ainsi réparée ou remplacée au titre de la garantie sera garantie pendant le reste de la période jusqu'au moment du premier remplacement programmé pour la pièce.
- (4) La réparation ou le remplacement de toute pièce sous garantie, sous réserve des conditions ci-incluses, sera exécuté gratuitement chez un concessionnaire réparateur agréé.
- (5) Nonobstant les clauses de ce document, les services ou réparations sous garantie seront fournis par tous nos centres de distribution agréés pour l'entretien des moteurs en question.
- (6) Le propriétaire ne sera pas facturé pour le travail de diagnostic qui mène à la détermination qu'une pièce sous garantie est en effet défectueuse, à condition que le travail de diagnostic soit effectué par un concessionnaire réparateur agréé.
- (7) John Deere est responsable pour les dommages aux autres composants du moteur se situant autour de la zone de la panne résultant de la défaillance de toute pièce sous garantie.
- (8) Pendant toute la période de garantie du moteur indiquée ci-dessus, John Deere maintiendra à disposition un stock de pièces sous garantie suffisant pour satisfaire la demande prévue pour telles pièces.
- (9) Toute pièce de remplacement peut être utilisée pour l'exécution de tout entretien ou réparations au titre de la garantie et doit être fournie gratuitement au propriétaire. Une telle utilisation ne changera pas les obligations de John Deere vis à vis de la garantie.
- (10) Les pièces ajoutées ou modifiées qui ne sont pas homologuées par le comité des ressources de l'air de la Californie ne doivent pas être utilisées. L'utilisation de pièces ajoutées ou modifiées non-homologuées par l'acheteur initial constituera un motif de non-application de garantie. John Deere ne pourra être tenu responsable de la défaillance de pièces sous garantie dont la cause est l'utilisation de pièces ajoutées ou modifiées non-homologuées.

(c) PIÈCES SOUS GARANTIE:

La réparation ou le remplacement au titre de la garantie de toute pièce normalement couverte par cette garantie peut être refusée si John Deere démontre que le moteur a été abusé, négligé ou mal entretenu, et que cet abus, négligence ou mauvais entretien est la cause directe de la nécessité de réparer ou remplacer cette pièce. Néanmoins, le réglage d'une pièce comprenant un dispositif limiteur de réglage installé en usine et qui fonctionne correctement est tout de même couvert par la garantie. Les pièces suivantes sont couvertes sous la garantie d'émissions.

1. Système de dosage de Carburant
  - (A) Carburateur et pièces internes (et/ou régulateur de pression ou système d'injection de carburant).
  - (B) Système de rétroaction et de commande de rapport d'air/carburant, si applicable.
  - (C) Système d'enrichissement au démarrage à froid, si applicable.
  - (D) Assemblage régulateur (carburant essence, si applicable).
2. Système d'admission d'air
  - (A) Collecteur d'admission, si applicable.
  - (B) Filtre à air.
3. Circuit d'allumage
  - (A) Bougies d'allumage.
  - (B) Magnéto ou circuit d'allumage électronique.
  - (C) Système d'avance/retard à l'allumage, si applicable.
4. Tubulure d'échappement, si applicable.
5. Système d'évaporation.
  - (A) Canalisation de carburant.
  - (B) Raccords de canalisation de carburant.

# Note

# Note

# Introducción

Gracias por comprando este John Deere producto.

Lea este manual con cuidado para aprender como operar y heacerie servicao su máquina correcto. Falla resultaría en lesiones personales o daño a equipo. Este el manual y muestras de seguridad en su máquina pueden también estar disponibles en otras idiomas. (véase a su distribuidor de John Deere para ordenar)

Este manual debe considerar una parte permanente de su máquina y debe quedar con máquina cuando venderla.

Medidas en este manual se dan en sistema métrico y en equivalentes de unidades de Estado Unidos. Use sólo partes y cierres de reemplazar correctos. Cierres métricos y pulgadas necesitarían un tirón especial de métrico o pulgada.

Lados de mano derecha y mano izquierda se determinan de que da al fin de máquina.

El número de serie está situada en sección de especificaciones o números de identificación. Escriba correcta todos números para ayndaría en encontrar la máquina si sea robado. Su concesionario también necesite estos números cuando ordenaría partes. Ponga números de identificación en lugar seguro atuera de máquina.

Garantía provece de concesionario John Deere para quien opere y mantenga su equipo como descrito en este manual. Este manual está explicado en certificado de garantía que se vea en este manual.

Esta garantía provece la seguridad que su concesionario John Deere daría garantía de productos donde defectos aparecen durante tiempo de garantía. Debe abusar al equipo o cambios para modificar la función atrás de especificaciones de fabrica la garantía será vacío.



### AVISO

GARANTÍA FEDERAL DE DEFECTO DE COMPONENTE DE EMISIÓN Y GARANTÍA DE CALIFORNIA DE CONTROL DE EMISIÓN son aplicables a sólo esos motores/generadores que deben cumplir con EPA (Agencia de Protección Ambiental) y CARB (Consejo de Recursos Aires de California) regulaciones de emisión en Los E.E.U.U.

### AVISO

Para motores / generadores que están exportados y usados en otros países de E.E.U.U., servicio garantía hará de distribuidor en cada país en acuerdo con policia de garantía de estándar de motor/generador de Robin como aplicable.

### ÍNDICE DE AIRE

Para mostrar conformidad con regulaciones de emisiones de California, una etiqueta ha proveido que mostrando nivel de Índice de Aire y tiempo durable de este motor.

El nivel de Índice de Aire significa como limpiado el exhausto de un motor después de tiempo. Una gráfica de barra que está escalado de "0" (más limpie) a "10" (menos limpie) se usa para mostrar el nivel de Índice de Aire en motor. Un nivel de Índice de Aire más bajo representar exhausto más limpie de un motor.

Un nivel de Índice de Aire más bajo representar exhausto más limpie de un motor.

<b>Palabra Descriptiva</b>	<b>Aplicado al Período de Durabilidad de Emisiones</b>
Moderado:	50 horas (motor de 0 a 80 cc) 125 horas (motor más de 80 cc)
Intermedio :	125 horas (motor de 0 a 80 cc) 250 horas (motor más de 80 cc)
Prolongado:	300 horas (motor de 80 cc) 500 horas (motor más de 80 cc)

ADVISOR: Esta etiqueta tiene que quedar en motor o pieza de equipo, y sólo quitar de comprador último antes de operación.

## GARANTÍA FEDERAL DE DEFECTO DE COMPONENTE DE EMISIÓN

**COBERTURA DE GARANTÍA DE DEFECTO DE COMPONENTE DE EMISIÓN** -- Esta garantía de emisión es aplicado en todos Estados, con excepción del estado de California.

Garantía(s) de Fuji Heave Industries Ltd. y Robin America Inc., Wood Dale Illinois, (adjunto "ROBIN AMERICA") a comprador de vender inicial y cada dueño posterior, que este motor de no carretera aquí "motor" ha diseñado, construido, y equipado para ajustar al tiempo de vende inicial a todas regulaciones aplicadas de los E.E.U.U.

Agencia de Protección Ambiental (EPA), y que el motor es libre de defectos en materiales y trabajo que causaría falla de ajustar de este motor a las regulaciones de EPA durante su período de garantía.

Para los componentes que listado debajo de Partes Coberturas, el comerciante del servicio autorizado por ROBIN AMERICA hará, a no cuesta de Ud., diagnóstico necesario, repare, o reemplace necesario para asegurar que el motor cumplir con regulaciones aplicadas de EPA de E.E.U.U.

### PERÍODO DE GARANTÍA DE DEFECTO DE COMPONENTE DE EMISIÓN

Este período de garantía para este motor empieza en la fecha de vende a comprador inicial y continua por un período de dos años.

### PARTES COBERTURAS

Dén abajo son las partes coberturas de Garantía de Defectos de Componentes de Emisión. Algunas partes abajo pueden requerir mantenimiento planificado y tienen garantía al primer punto de reemplazo planificada de esta parte.

1. Sistema de Mediando Combustible
  - a. Partes interior y carburador ( y / o regulador de presión o sistema de inyección de combustible)
  - b. Retroalimentación de proporción de aire / combustible y sistema de control, si aplicable.
  - c. Sistema de encendido frío, si aplicable
  - d. Asamblea regular (combustible de gasolina, si aplicable).
2. Sistema de Inducción de Aire
  - a. Colector de entrada, si aplicable.
  - b. Filtro de aire.
3. Sistema de Ignición
  - a. Bujías.
  - b. Magneto o sistema eléctrica de ignición.
  - c. Avance de Chispa / sistema retarda, si aplicable.
4. Colector de Exhausto, si aplicable.
5. Artículos varios han usados en sistemas arribas.
  - a. Controles eléctricos, si aplicable.
  - b. Mangueras, cinturones, conectadores, y ensamblas.
  - c. Asamblea de cerradura del filtro (combustible de gas, si aplicable).

### OBTENIENDO EL SERVICIO DE LA GARANTÍA

Para obtener el servicio de garantía, tome su motor al más cerca autorizado ROBIN AMERICA. Traiga recetas de vendes que indicar la fecha de comprar para este motor. El comerciante del servicio autorizado de ROBIN AMERICA hará repares necesarios o ajustados de un período del tiempo bueno y darle una copia del orden de repare. Todas partes y accesorios que tener reparar de esta garantía quedarse propiedad de ROBIN AMERICA.

### NO SON COBERTURAS

Condiciones que son resultar de alterando, mal uso, ajustados malos (a menos que hicieron de comerciante del servicio autorizado de ROBIN AMERICA durante un repare de garantía), alteración, accidente, falla de usar combustible y aceite recommendado, o no haciendo servicios requeridos de mantenimiento.

Las partes de reemplazo que son usados para servicios requeridos de mantenimiento.

Daño consiguiente como perdido del tiempo, inconveniencia, perdido de uso del motor o equipo, etc.

Diagnóstico y precios de inspección que no resultará en servicio que cobertura de garantía.

Alguna parte de reemplazo que no son autorizado o mal función de partes autorizadas porque el uso de una parte no autorizada.

### RESPONSIBILIDADES DE GARANTIA DE DUEÑOS

Como el dueño del motor, Ud. es responsable para hacer el mantenimiento requerido como dar en su manual de dueño. Es recommendado de ROBIN AMERICA que mantener todas recetas de mantenimiento en su motor, pero ROBIN AMERICA no puede negar garantía sólamente para falla de recetas o falla de haciendo todo mantenimiento planificado.

Como el dueño del motor, debe saber que ROBIN AMERICA puede negar cobertura de garantía si el motor o parte ha fallado porque de abuso, neglecto, mantenimiento incorrecto o modificaciones sin aprobación.

Ud. es responsable para presentando su motor al más cerca comerciante de servicio autorizado de ROBIN AMERICA cuando existir un problema.

Si tiene algunas preguntas de su derechos de la garantía y responsabilidades, debe contactar el departamento del servicio de ROBIN AMERICA a 1-630-350-8200 para la información.

### COSAS DEBE SABER SOBRE MANTENIMIENTO Y REPARES DEL GARANTIA DE SISTEMA DE CONTROL DE EMISIONES.

Es responsable para mantenimiento corecto del motor. Debe mantener todas recetas y documentos de mantenimiento regular en el evento de hay preguntas. Estas recetas y documentos del mantenimiento debe cambiar a cada dueño del motor. ROBIN AMERICA reserva el derecho para negar cobertura de garantía si el motor no tenía mantenimiento corecto. Afirmaciones de garantía no negarán solamente de falla de mantenimiento requerido o falla de mantener documentos de mantenimiento.

CONSERVACIÓN, REEMPLAZO, O REPARACIONES DE DISPOSITIVOS DE CONTROL DE EMISION Y SISTEMAS PUEDEN SER PREFORMADOS POR CUALQUIER ESTABLECIMIENTO DE REPARACIONES O INDIVIDUO; SIN EMBARGO, LAS REPARACIONES DE LA GARANTIA TIENEN QUE PREFORMAR POR UN COMERCIANTE DE SERVICIO DE ROBIN AMERICA. EL USO DE PARTES QUE NO SON EQUIVALENTES EN EL DESEMPEÑO Y DURABILIDAD A PARTES AUTORIZADAS PUEDE DANAR LA EFICACIA DEL SISTEMA DE CONTROL DE LA EMISION Y PUEDE TENER UNA RAZON DEL RESULTADO DE UNA AFIRMACION DE GARANTIA.

Si otras de las partes autorizadas por ROBIN AMERICA son usados para reemplazos de mantenimiento o para repare de componentes afectando control de emisión, debe asegurarse que partes como estas no tienen garantía de fabricante para ser partes equivalentes de partes autorizadas de ROBIN AMERICA en función y durabilidad.

### COMO HACER UNA AFIRMACION

Todas reparaciones qualificando de esta garantía tienen que hacer de un comerciante de servicio autorizado do ROBIN AMERICA. En el evento que alguna parte de emision sea defecta durante el período de garantía, debe notificar departamento de servicio de ROBIN AMERICA a 1-630-350-8200 y tendré aviso del comerciante de servicio corecto o fuente de servicio donde repare de garantía puede hacer.



## DECLARACIÓN DE GARANTIA DE CONTROL DE EMISIONES DE CALIFORNIA SUS DERECHOS DE GARANTIA Y OBLIGACIONES

El Consejo de los Recursos Aéreos de California y Fuji Heavy Industries Ltd. (en esto "FUJI") se complace para explicar la garantía de sistema de control de emisión en su 2005 y más tarde el motor Pequeño y Todoterreno. En California, el motor nuevo se debe diseñar, construido, equipado para alcanzar los estándares rigurosos de la anti niebla espesa con humo del Estado. ROBIN AMERICA debe justificar el sistema del control de la emisión en su motor por los espacios de tiempo descritos abajo, proporcionado no ha habido abuso, descuido, ni la conservación impropia de su motor.

### COBERTURA GARANTIA DE FABRICANTE:

Los motores de 2005 y más viejos tienen garantía por dos (2) años. Si alguna parte de emisión en su motor es defecto, la parte reparará o reemplazará de ROBIN AMERICA.

### OWNER'S WARRANTY RESPONSIBILITIES:

- Como el dueño del motor, Ud. es responsable para hacer el mantenimiento requerido como dar en su manual de dueño. Es recomendado de John Deere que mantener todas receteas de mantenimiento en su motor, pero John Deere no puede negar garantía solamente para falla de recetas o falla de haciendo todo mantenimiento planificado.
- Como el dueño del motor, debe saber que John Deere puede negar cobertura de garantía si el motor o parte ha fallado porque de abuso, neglecto, mantenimiento incorrecto o modificaciones sin aprobación.
- Si tiene algunas preguntas de su derechos de la garantía y responsabilidades, debe contactar el departamento del servicio de ROBIN AMERICA Inc. 940 Lively Blvd., Wood Dale, IL 60191 (en esto ROBIN AMERICA) tan pronto como un problema existe. Reparaciones de garantía deben terminar en la cantidad de tiempo razonable, no excede 30 días.

Si tiene algunas preguntas de su derechos de la garantía y responsabilidades, debe contactar el departamento del servicio de ROBIN AMERICA a 1-630-350-8200.

## GARANTIA LIMITADA en Sistemas de Control de Emisión -Sólo en California-

Garantía(s) de FUJI a dueño del motor de 2005 y más viejos años que este motor (1) ha diseñado, construido, y equipado para ajustar al tiempo de vende inicial a todas regulaciones aplicadas de Consejo de Recursos de Aire en California, y (2) es libre de defectos en materiales y trabajo que puede causarlo a falla de ajustar con estas regulaciones como son aplicables a las condiciones abajas.

### A. FECHA DE INICIO

El período de garantía empieza en la fecha que el motor entregó a comprador inicial.

### B. DURACION DE COBERTURA

Garantía(s) de John Deere a comprador de vender inicial y cada dueño posterior, que este motor es libre de defectos en materiales y trabajo que causar falla a partes de garantía de emisión por un período de dos (2) años después de fecha de entregar a primer comprador.

### C. SON COBERTURAS

#### 1. PARTES DE REPARACION O REEMPLAZO

Reparaciones o reemplazo de alguna parte de garantía hará a no cuesta a dueño de un comerciante de servicio autorizado o estación de garantía. Puede contactar Departamento de Servicio de ROBIN AMERICA Inc. a 1-630-350-8200 para obtener el nombre de posición más cerca donde hacer las reparaciones de garantía.

#### 2. PERIODO DE GARANTIA

Esta garantía continúa por un período de dos (2) años y aplica sólo a la reparación, el reemplazo o el ajuste de las partes del componente que no se planifican para el reemplazo la conservación como requerida. Aún más, las partes del componente que se planifican sólo para inspección regular al efecto de "la reparación o reemplazan como sea necesario" son la garantía para el período de la garantía. Alguna parte justificada que se planifica para el reemplazo la conservación como requerida se justifica para el espacio de tiempo hasta el primer punto planificado del reemplazo para esa parte.

#### 3. DIAGNOSTICO

Usted no será cargado para el trabajo diagnóstico que lleva a la determinación que una parte justificada es defectuoso, si el trabajo diagnóstico se realiza en un comerciante autorizado del servicio o la estación de la garantía.

#### 4. DAÑOS

Si una parte justificada falló causando el daño a los componentes del motor, consulta una estación de la garantía.

### D. NO SE CUBRE

1. Esta garantía limitada no cubre ninguna parte que falla, falla o es dañada debido al fracaso para seguir la conservación y las instrucciones operadoras exponen en el 2005 y manual luego de dueños que incluyendo:
  - a. El mantenimiento impropia de alguna parte justificada.
  - b. La instalación impropia, el ajuste o la reparación del motor o de alguna parte justificada a menos que realizado por un comerciante autorizado del servicio.
  - c. La falla para seguir las recomendaciones en el uso del combustible contuvieron en el 2005 y manual de dueños más viejo.
  - d. Las reparaciones realizaron fuera de los comerciantes autorizados del servicio de la garantía.
  - e. Uso de las partes que no son autorizadas por FUJI.
2. Componente adicional o partes modificadas.  
Esta garantía no cubre ninguna parte que falla, falla o es dañada debido a modificaciones cambiando, añadir a o quitar las partes del motor.
3. Los gastos contraídos procesando los reclamos de la garantía. John Deere, un comerciante autorizado del servicio y la garantía estacionan no será responsable de ninguna pérdida del uso del motor, para ningún uso alterativo, para ningún daño a bienes, la pérdida de tiempo, ni del inconveniente.

### E. COMO HACER UNA AFIRMACION

Todas reparaciones calificando de esta garantía tienen que hacer de un comerciante de servicio autorizado de ROBIN AMERICA. En el evento que alguna parte de emisión sea defecta durante el período de garantía, debe notificar departamento de servicio de ROBIN AMERICA Inc. a 1-630-350-8200 y tendrá aviso del comerciante de servicio correcto o fuente de servicio donde repare de garantía puede hacer.

## F. DONDE OBTENER EL SERVICIO DE LA GARANTIA

Se recomienda que el servicio de la garantía sea realizado por el comerciante autorizado que vendió usted el motor, aunque el servicio de la garantía fuera realizado por comerciantes autorizados del servicio o estaciones de garantía dondequiera en los Estados Unidos.

Cuando reparación de garantía se necesita, el motor debe ser traído a un comerciante autorizado del servicio o la oficina de la estación de la garantía durante horas de oficina normales. En todos casos, un tiempo razonable, no excede 30 días, tiene que permitir para la reparación de la garantía para ser completada después que el motor es recibido por el comerciante autorizado del servicio o estación de garantía

## G. EL MANTENIMIENTO, EL REEMPLAZO Y LA REPARACION DE PARTES RELACIONADAS A EMISION.

El reemplazo sólo justificado del partes aprobado por John Deere debe ser utilizado en el desempeño de cualquier mantenimiento de la garantía o reparaciones en partes emisión-relacionados. Si de otra manera que las partes autorizadas se utilizan para la mantenimiento, el reemplazo o la reparación de los componentes que afectan el control de la emisión, usted debe asegurarse que tales partes son justificadas por su fabricante para ser el equivalente a partes autorizadas en el desempeño y durability. FUJI, sin embargo, no asume liability bajo esta garantía con respect a partes de otra manera que partes autorizadas. El uso de partes no-autorizados de reemplazo no invalida la garantía en otros componentes a menos que las partes no-autorizados causen el daño a partes justificadas.

## I. DECLARACIONES de CONSERVACION

Es su responsabilidad toda para tener planificado los servicios de la inspección y la conservación realizados en los tiempos recomendados en el 2005 y manual más viejo y para retener la prueba esos servicios de la inspección y la conservación se realizan en los tiempos cuando recomendado. FUJI no negará un reclamo de la garantía únicamente porque usted no tiene registro de la conservación; sin embargo, FUJI puede negar un reclamo de la garantía si su falla de realizar la conservación requerida tuvo como resultado en falla de la parte justificada. La prueba que Ud. mantiene debe dar a cada dueño subsiguiente del motor. Usted es responsable de realizar la conservación planificada describió debajo de basado en los procedimientos especificados en el 2005 y manual más viejo. El mantenimiento planificado abajo en un motor normal que opera el horario.

### PROCEDIMIENTO:

1. Cambie aceite de motor.
2. Limpie limpiador de aire (elemento).
3. Reemplace elemento limpiador de aire.
4. Limpie y ajuste bujía y electrodos.

### INTERVALES:

1. Inicial 20 horas y cada 100 horas despues.
2. Cada 50 horas.
3. Cada 200 horas.
4. Cada 200 horas.

**NOTA:** *Mantenimiento de más frecuencia puede ser necesario porque de condiciones severo, sucio, o de polvo.*

## H. PARTES SE CUBRE DE GARANTIA DE EMISIONES EN CALIFORNIA

### 1. Sistema de Mediando Combustible

- a. Partes interior y carburador ( y / o regulador de presión o sistema de inyección de combustible)
- b. Retroalimentación de proporción de aire / combustible y sistema de control, si aplicable.
- c. Sistema de encendido frío, si aplicable.
- d. Asamblea regular (combustible de gasolina, si aplicable).

### 2. Sistema de Inducción de Aire

- a. Colector de entrada, si aplicable.
- b. Filtro de aire.

### 3. Sistema de Ignición

- a. Bujías.
- b. Magneto o sistema eléctrica de ignición.
- c. Avance de Chispa / sistema retarda, si aplicable.

### 4. Colector de Exhausto, si aplicable.

### 5. Artículos varios han usados en sistemas arribas.

- a. Controles eléctricos, si aplicable.
- b. Mangueras, cinturones, conectadores, y asambleas.
- c. Asamblea de cerradura del filtro (combustible de gas, si aplicable).

# Materias

	Página
Seguridad	92
Mandos	101
Preparación la generador	104
Operación	109
Localización de fallas	115
Servicio	116
Almacenamiento	120
Especificaciones	121
Diagrama de alambre	122
Garantía	123

*Toda información, ilustraciones, y especificaciones en este manual se basa en información lo último que disponible al tiempo de publicación. Se reserva el dercho de efectuar cambios sin previo aviso.*



# Seguridad

## RECONOZCA INFORMACIÓN DE SEGURIDAD

Este es el símbolo de alerta de seguridad. Cuando mire este símbolo en la máquina o manual, sea alerta de posibilidad o potencia de graves personales.

Siga precauciones recomendables y prácticas de operación.



## COMPRENDA PALABRAS DE ALERTAS

Una palabra de alerta -- Peligro, Advertencia, Precaución -- se usa con el símbolo de alerta de seguridad. Peligro indica la situación más seria.

Señales de seguridad como PELIGRO y ADVERTENCIA está situada cerca de riesgos específicos. Precauciones generales están en una lista en las señales de seguridad precaución a mensajes de seguridad en este manual.

 **PELIGRO**

 **ADVERTENCIA**

 **PRECAUCION**

## SIGA LAS INSTRUCCIONES DE SEGURIDAD

Lea con cuidado todos mensajes de seguridad en este manual y en las señales de seguridad en máquina. Mantengase señales de seguridad en condición bueno. Reemplace desaparecidos o señales de seguridad con daño. Asegurese que componentes nuevos de equipo y partes de reparación incluir las señales de seguridad último. Señales de seguridad para reemplace son disponibles de su concesario.

Aprenda como operar la máquina y como usar los mandos correcta. No permita nadie para operar sin instrucciones.

Mantengase la máquina en condición corecta para trabajar. Modificaciones con no autorizado a la máquina pueden afectar la función y/o seguridad y afecta la vida de máquina.

Si usted no entiende cualquier parte de este manual y no necesita ayuda, entre en contacto con a su distribuidor.



## MONÓXIDO DE CARBONO- GAS VENENOSO

Use generador en aire libre, afuera de ventanas abiertas, tiros, o puertas.

Exhausto de generador contiene monóxido de carbono- un gas venenoso que puede matarle. No puede oler o ver este gas.

Nunca use generador en espacios cerrados o parcialmente cerrados. Generadores puede producir niveles altas de monóxido de carbono muy rápido. Cuando use un generador portable, recuerde que no puede oler o ver monóxido de carbono. Aunque si no pueda oler gases de exhausto, puede exponerle a monóxido de carbono.

Si empieza sentir enfermo, mareo, o débil cuando usando generador, vaya adentro PRONTO. NO RETRASE. Monóxido de carbono de generadores puede llevar rápidamente a todo incapacitado y muerte.

Si tenga síntomas serias, tenga atención medica inmediatamente . Diga empleados medicos que sospechar de venenoso de monóxido de carbono. Si tenga síntomas mientras adentro diga alguien llamar el departamento de fuegos para determinar cuando seguro para entrar otra vez el edificio.

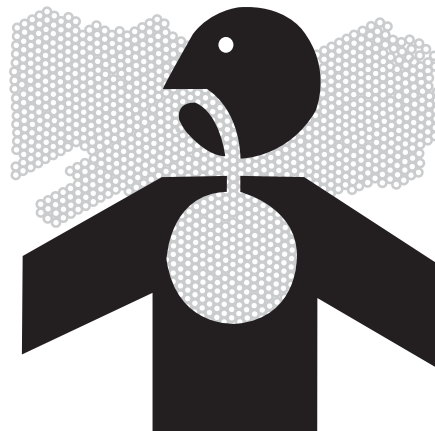
NUNCA opere generador en atmósfera explosivo, cerca materias combustibles o donde ventilación no es suficiente para llevar gases de exhausto afuera. **Gases de exhausto puede causar lesiones graves o muerte.**

NUNCA use generador adentro, incluyendo en casas, garajes, sótanos, espacios pequeños, y otras áreas cerradas o parcialmente cerradas, aunque con ventilación. Abriendo puertas y ventanas o usando ventiladores no prevenir acumulación de monóxido de carbono en casas.

Siga las instrucciones que viene con su generador. Encuentre unidad de aire libre y afuera de puertas, ventanas, y tiros que puede permitir gas de monóxido de carbono para entrar adentro.

Instale alarmas de monóxido de carbono que operados de bateria o alarmas de monóxido de carbono enchufadas con seguridad de batería en su casa según las instrucciones de instalación de fabricante. Las alarmas de monóxido de carbono deben tener certificación de requisitos de calidades de seguridad últimos para alarmas de monóxido de carbono. (UL 2034, IAS 6-96 o CSA 6.19.01).

Examine su alarma de monóxido de carbono frecuentemente y reemplace baterías muertas.





## INSTRUCCIONES DE SEGURIDAD DE LLENADO DE COMBUSTIBLE

Gasolina es flamable extremo y sus vapores pueden explotar si inflamar.

Observe todas regulaciones de seguridad para manejando seguro de combustible. Maneje combustible en envases de seguridad. Si envase no tiene pico, use un embudo.

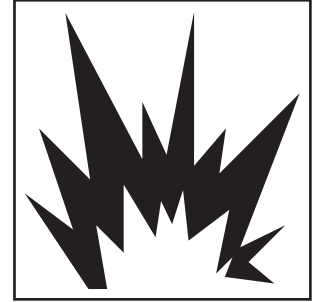
No sobrellene el tanque de combustible, mantenga espacio para expansión de combustible.

No rellene tanque de combustible mientras el motor está funcionando. Antes de rellenando generador, doble apagado y permite enfriarse. Gasolina que derramada en partes del motor puede inflamar.

Llene el tanque solamente en una área de tierra pelada. Mientras llenando el tanque, mantenga calor, chispas, y llamas abiertas afuera. Con cuidado limpie todo combustible derramado antes de empezando el motor.

Siempre llene tanque de combustible en una área con mucha ventilación para evite inhalando gases peligrosos.

NUNCA mantenga combustible para su generador e la casa. Gasolina, propano, kerosene, y otros líquidos flamables deben mantener afuera de áreas de vivienda en envases seguros sin vidrio y calificados correctos. No los mantenga cerca de aparato de ardiente de combustible como calentador de gas natural en un garaje. Si combustible derrame o envase no cerrado correcto, vapores invisibles de lata de combustible viaja adelante de la tierra y pueden inflamar del piloto de aparato o de arcos de interruptores eléctricos en aparato.



## DISYUNTOR DE FALLA A TIERRA

Estos generadores están equipados con receptáculos de 120VCA con disyuntores de falla a tierra. Esta es una medida de protección contra el peligro de electrocución por accidentes o fallas de herramientas, cordones y cables.



**ADVERTENCIA: PARA QUE EL GFCI FUNCIONE CORRECTAMENTE, ES NECESARIO QUE EL GENERADOR TENGA LA TOMA A TIERRA ADECUADA. SIGA LOS PROCEDIMIENTOS CORRECTOS PARA LA TOMA A TIERRA QUE SE DETALLAN A CONTINUACIÓN.**

Un GFCI es un aparato que interrumpir electricidad de cualquiera la utilizada o generador por un típico especial de corte circuito si hay una falla de corriente de flujo a la tierra.

Un GGCI puede usar sólo con generadores que tienen alambre neutro adherido interior a armazón y armazón conecta a tierra correcta. Un GFCI no opere en generadores que no tienen alambre neutro adherido a armazón o en generadores que no conectar a tierra correctos. Todos generadores de John Deere tienen alambres de tierra adheridos internamente.

Un GFCI puede requerir de regulaciones de OSHA, Códigos de Eléctrico Nacional y Códigos local y federal cuando operando un generador.

Para más protecciones en contra de riesgos de descarga debido al equipo defectivo sujetar a recipientes de cerrado rosca, considere también el uso de un GFCI en cada recipientes.

Los GFCI y series de cordones protejidos y cables pueden comprar de casas locales de suministro eléctrico.

## RIESGOS DE ELECTRICOS

Este producto tiene que tener la toma a tierra. Si lo debe fallar o funcionar mal la toma a tierra proveer un camino de resistencia mínima para corriente eléctrica para reducir el riesgo de descarga eléctrica.

**! PELIGRO-CONEXIÓN INCORRECTA DE EQUIPO- CONDUCTOR DE TIERRA PUEDE RESULTAR EN RIESGO DE ELECTROCUCIÓN. HABLE CON UN ELECTRICISTA CALIFICADO O REPRESENTANTE DE SERVICIO SI TENGA DUDA SOBRE QUE LA UNIDAD TIENE LA TOMA A TIERRA CORRECTA.**

Este generador tiene una terminal de tierra para su protección. Siempre completar el camino de tierra del generador a un fuente de tierra exterior como enseñar en la sección se llama " Instrucciones de Toma a Tierra" en la sección de Preparación en este manual.

El generador es un fuente potencial de descarga de eléctrico si no mantenga seco. Mantenga el generador seco y no use en lluvia o condiciones mojados. Para porteger de humedad, opere en superficie seco abajo de una estructura abierta y como un dosel. Seque sus manos si mojados antes de tocando el generador.

Riesgo de descarga eléctrica si opere este generador con GFCI de falla (Interrupor de circuito de Falla tierra Integrado) Examine GFCI antes de cada uso, vea Instrucciones de Operando para más información. Si GFCI falla el exam, NO USE su generador. Contacte su concesionario de John Deere.

Tape aparatos directamente entre el generador. O, use extensión muy resistente que tiene indice de aire libre y tiene indice (en vatios o amperios) por lo menos igual a la suma de las cargas de aparatos conectadas. Revise que todo cordón sea libre de cortos, roturas, y que la tapa tiene todos los tres dientes, especialmente un perno de tierra

NUNCA trate dar potencia a instalación de casa como tapando el generador entre un tomacorriente del muro, una práctica se llama "alimentando atraso." Esta práctica es muy peligroso que presentar un riesgo de electrocución a trabajadores de utilidad y algunos vecinos que tienen servicio del mismo transformador de utilidad. Esta también circunvala aglunos aparatos de protección de circuito que son empotrados en la casa.

Si tiene que conectar el generador a la instalación de casa a aparatos de potencia, tiene un electricista calificado instala el equipo apropiado de acuerdo con códigos de eléctrico locales. O revise con su compañía de utilidad para preguntar sobre instalación de un interruptor apropiado de tranferir de potencia.

Para apagados de potencia, generadores estacionarios que instalados permanente son mejores para manteniendo potencia respalda a la casa. Hasta un generador portable que conecte correcto puede sobrecargar. Este puede resultar en recalentando o recalcando los componentes de generador, con la posibilidad de empezar a falla del generador.







## ADVERTENCIAS IMPORTANTES DE SEGURIDAD

ADVERTENCIA: Para reducir el riesgo de lesiones, lea este manual de operador completamente. Cuando usando este producto, seguir siempre las precauciones básicas consiguientes:



1. Lea todas instrucciones antes de usando este producto.
2. No encierre el generador ni lo tape con una caja. El generador tiene sistema de enfriar incorporado y puede recalentarse si sea cerrado. Si generador sea tapado para proteger de tiempo durante no usando, asegúrese que quitando y mantenga lejos de área durante uso de generador.
3. Opere el generador en superficie nivel. No es necesario para preparar un fundamento especial para generador. Sin embargo el generador vibrará en superficie irregular, entonces escoger un lugar nivel sin irregulares de superficie.

Si generador está inclinado o movió durante operación, combustible puede derramar y / o el generador puede caer que causaría situación peligroso.

No expecta lubricación correcto si opere generador inclinación empinado o cuesta. En esta caso, confiscación de pistón puede ocurrir aunque si el aceite está arriba de nivel más alto.

4. Presta atención al alambre o cordones de extensión de generador al aparato conectado. Si alambre está debajo o en contacto con partes vibrantes, puede romper y causaría un fuego, agotamiento de generador, riesgo de descarga de eléctrica. Reemplace cordones con daño o viejo inmediatamente.
5. No opere en la lluvia o en condiciones mojados o con manos mojados. Operador puede sufrir descarga eléctrica si generador esté mojado debido a lluvia o nieve.
6. Si mojado, lo limpia y seca antes de empezando. No ponga agua directamente sobre generador ni lo limpia con agua.
7. Ten cuidado extremo que seguir procedimientos necesarios de tierra eléctrico durante cada y todos usos. Falla para hacer puede sería mortal.
8. NUNCA trata dar potencia al alambre de casa como tapando el generador a salida de muro, una practica se llama "alimentando retraso." Esta practica es muy peligrosa que presentar un riesgo de electrocución a trabajadores de utilidad y vecinos que tienen servicio del mismo transformador. También eludirlo algunos aparatos incorporados de protección de circuitos de casas.  
  
Si tiene que conectar el generador al alambre de casa para dar potencia a aparatos, un electricista qualificado instalará equipo apropiado con acuerdo con códigos locales de eléctrico. O revisa con su compania de utilidad para puede instalar interruptor apropiado de cambio de potencia.
9. No fume mientras cargando una batería. La batería emitir gases flamables de hidrógeno que puede explorar si exponer a arco eléctrico o llama abierta. Mantenga el área con ventilación buena y mantenga llamas abiertas/chispas afuera cuando cargando una batería.

## ADVERTENCIAS IMPORTANTES DE SEGURIDAD

10. El motor será caliente durante y por tiempo después de operación. Mantenga materias combustibles lejos de área de generador. Ten cuidado que no toca alga parte de motor caliente especialmente área de moefle o puede resultarí en quemaduras serias.
11. Mantenga niños y otros transeúntes a una distancia segura de área de trabajo.
12. Es esencial que sabe el uso seguro y correcto de herramientas o aparatos que usará. Todos operadores tienen que leer, comprender, y seguir el manual de dueños de aparatos de herramientas. Tiene que comprender las aplicaciones y limitaciones de herramientas y aparatos. Siga todas instrucciones que dan en etiquetas y advertencias. Mantenga manuales de instrucciones y literatura en lugares seguros para referencia de futuro.
13. Sólo use cordones de extensión de "Lista." Cuando usa una herramienta o aparato en aire libre, sólo use cordones de extensión que tienen la marca de "Para Uso en Aire Libre." Mantenga cordones de extensión en áreas secas y con ventilación buena cuando no los usando.
14. Siempre desconectando herramientas o aparatos cuando no usando, antes de servicio, ajustando, o instalando accesorios.



**¡GUARDE ESTAS INSTRUCCIONES!**

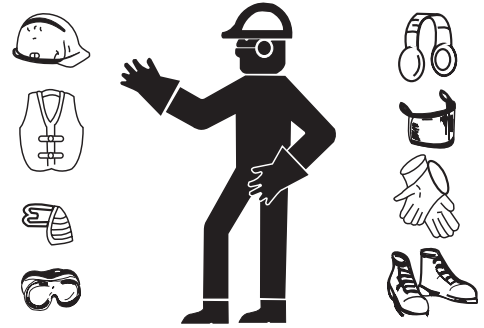


## USE ROPA PROTECTORA

Use ropa medida cerca y equipo de seguridad apropiado al trabajo.

Use devise protector de oído como orejeras o tapón para el oído para proteger en contra de ruidos inaceptables y altos.

Operando equipo de seguridad necesita toda atención de operador. No use auriculares de radio o música mientras operando máquina.

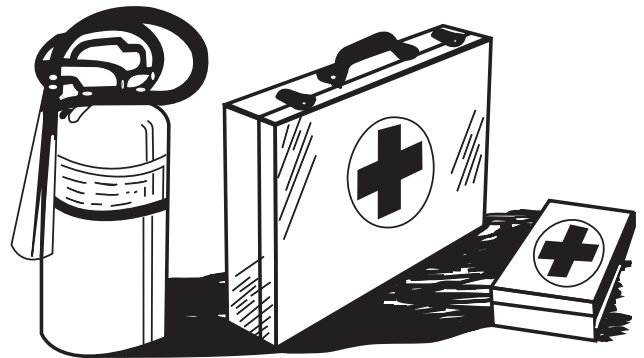


## PREPARE PARA EMERGENCIAS

Mantenga primeros auxilios y extinguidor cerca.

Mantenga números de emergencia para doctores, servicio de ambulancia, hospital, y departamento de fuego cerca de telefono.

Sea preparado si un fuego empiece.



## INSPECCIONES GENERADOR

Asegúrese que todas tapas, guardias, y escudos son ajustados y en posición.

Encuentre todos controles operando y etiquetas de seguridad.

Inspeccione cordón eléctrico para daño antes de usando. Hay un riesgo de electrocución de aplastante, cortando, o daño de calor.

## SERVICIO CON CIUDADO GENERADOR

Apague la unidad, desconéctela de la red eléctrica, y permita que la unidad se enfríe antes de repararla.

Preste servicio en un área limpia, seca y planca.

Asegúrese que el motor paró antes de empezando algo servicio de mantenimiento o reparación.



## SEÑALES DE SEGURIDAD

De acuerdo con requisitos europeos ( eec directivos), los símbolos especificados como mostrado en la mesa siguiente se uso para los productos y este manual de instrucciones.



Lea manual de instrucciones de operador.



Fuego, ligero abierto, y fumando son prohibidos.



Mantenga lejos de superficies calientes.



Precaución, riesgo de descarga eléctrica.



Gases de exhausto son venenosos.  
No opere en cuartos sin ventilación.



No conecte el generador a líneas comerciales de potencia.



Pare el motor antes de rellenando.



CALIENTE, no toca los superficies calor



ON  
(potencia y motor)



Adentro - posición de control de biestable de empuje



Arranque de motor (arranque eléctrico)



OFF  
(potencia y motor)



Tierra Protegida (tierra)



Pare del motor



Corriente alternativo



Fusible



Combustible diesel



Corriente directo



Aceite de Motor



Rápido



Más;  
polaridad positiva



Agregue aceite



Despacio



Menos;  
polaridad negativa



Condición de cargando la batería



Funcione



Afuera- posición de control biestable de empuje



Choke ; ayuda de empezando de fría



Pare

$P_r$

Poder Valorado (kW)

$COP$

Poder continuo

$\cos \Phi_r$

Factor valorado de pc

$f_r$

Frecuencia valorada (Hz)

$U_r$

Voltaje valorado (v)

$I_r$

Corriente valorada (A)

$H_{max}$

La altitud máxima del lugar sobre nivel del mar (m)

$T_{max}$

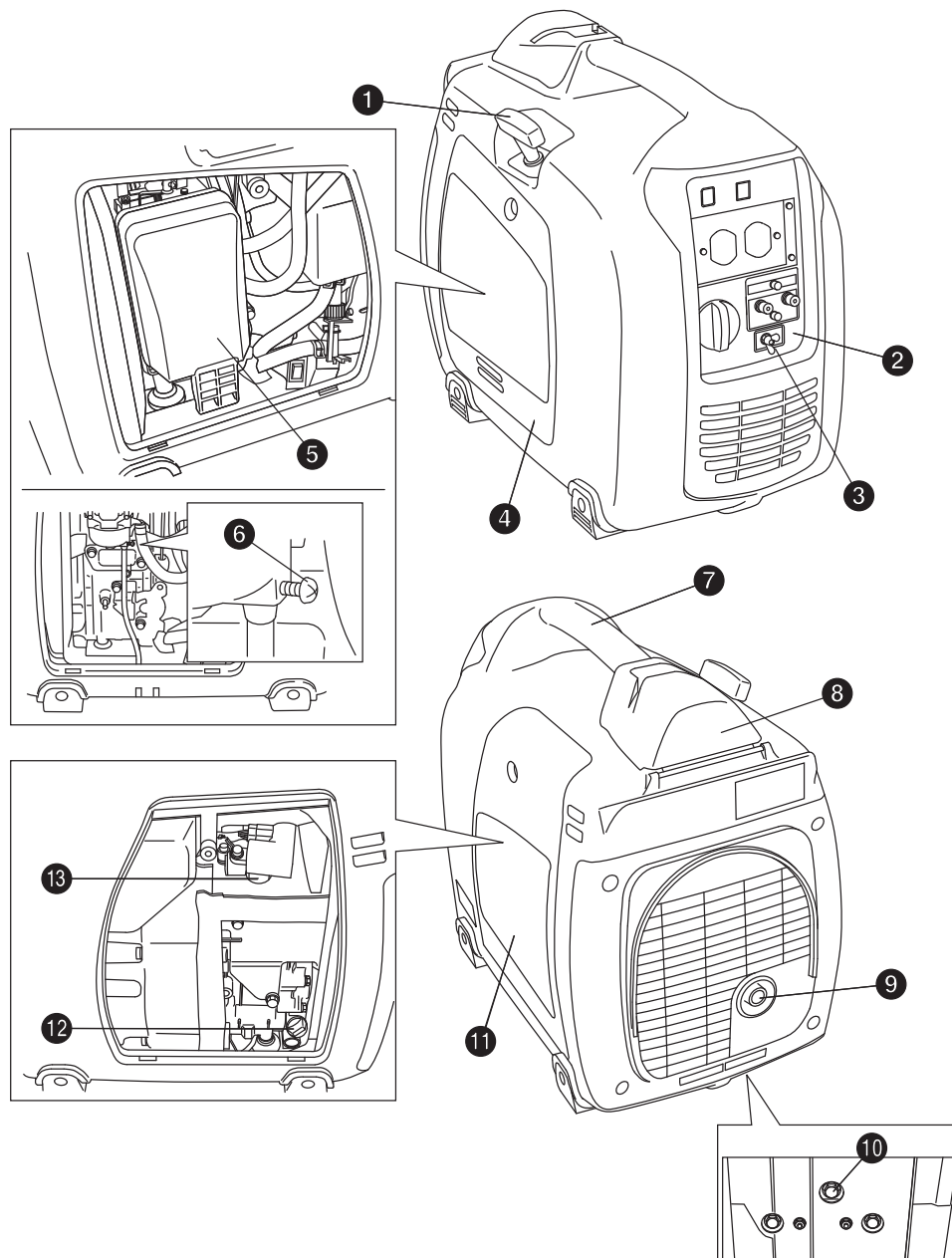
Temperatura máxima de ambiente

$m$

Masa (kg)

# Mandos

## MANDOS



1-- Arranque Retroceso  
2-- Panel de Control  
3-- Terminal de Tierra

4-- Panel del Lado (L)  
5-- Limpiador de Aire  
6-- Tornillo de descarga  
de combustible

7-- Manivela de Llevando  
8-- Tapa de tanque  
9-- Salida de exhausto

10-- Tapón de descarga  
de Aceite  
11-- Panel del Lado (R)  
12-- Indicador de aceite  
13-- Tapa de chispero

## MANDOS

### INTERRUPTOR DE MOTOR: (Fig. 15)

El interruptor de motor es diseñado para operación fácil con mecanicismo de entrelazarse entre válvula de combustible y choke.

### LÁMPARA DE SALIDA: (Fig. 16)

Estas lámparas arranquen en los condiciones siguientes:

Lámpara de Salida (Verde) - La lámpara arranque cuando gendrando aporpidamente.

### Sensor de Lámpara de Aceite - (Fig. 17)

Cuando el nivel del aceite caer debajo del valor prescrito, la lámpara de la alarma ilumina y el motor para automáticamente. Cuando el motor para debido de falla del aceite, no puede empezar ya aún tirando la perilla del comienzo (apenas la luz de alarma parpadea). En tal caso, abastezca de nuevo aceite del motor. Vea la "Pre-Operación; Aceite del Motor" en página 101.

### RECEPTÁCULO DE AC: (Fig. 18)

La energía eléctrica de AC está disponible por este receptaculo. Use un tipo de tapón de tierra como mostrado en página 106, Tabla 1.

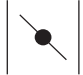

**ADVERTENCIA: NO PONGA OBJETOS EXTRANJEROS EN EL RECEPTACULO DE TAPON**

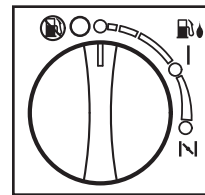
**PRECAUCIÓN: NO TAPA MAS DE DOS APARATOS EN EL GENERADOR A LA VEZ.**

### TERMINALES DE DC: (Fig. 19)

La energía eléctrica de DC para cargar de batería está disponibles.

- Rojo es positivo (+) terminal.
- Negro es negativo (-) terminal.

INTERRUPTORES DEL MOTOR	
<p><b>CHOKE</b></p> 	<p>Para empezar el motor, gire la perilla a la posición (válvula de choke se cierra).</p>
<p><b>FUNCIONE</b></p> 	<p>Mantenga la perilla en esta posición después de comenzar el motor. (El motor se puede empezar con la perilla en la posición cuando motor está tibio.)</p>
<p><b>PARAR</b></p> 	<p>Para parar el motor, vuelva la perilla a la posición. (La manivela del combustible se cierra también.)</p>



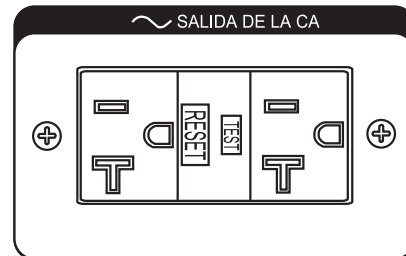
(Fig. 15)



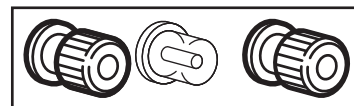
(Fig. 16)



(Fig. 17)



(Fig. 18)



(Fig. 19)

## MANDOS

### LA RUPTURA DE CIRCUITO DE DC: (Fig. 20)

Las rupturas de circuito apagan la corriente eléctrica cuando la corriente excede su límite.

Revise para el consumo excesivo o defectos en aparato. Después de asegurar que todo está en orden, empuja el botón a posición de "ON".



**PRECAUCIÓN: SI RUPTURA DE CIRCUITO CONTINUA TROPEZAR, REVISE APARATO PARA DEFECTOS. SI GENERADOR FALLA, VEA SU CENTRO DE REPARACIONES AUTORIZADO DE JOHN DEERE O EL COMERCIANTE.**

**NUNCA INTERVENGA CON OPERACION DE LA PERILLA DE RUPTURA DE CIRCUITO NI MANTENGA EMPUJANDO EN POSICION DE "ON".**

### ARRANQUE RETROCESO: (Fig. 21)

Tire esta manivela para empezar el generador.

### TERMINAL DE TIERRA: (Fig. 22)

Terminal para conectar a tierra de generador.

### TAPA DE TANQUE DE COMBUSTIBLE: (Fig. 23)

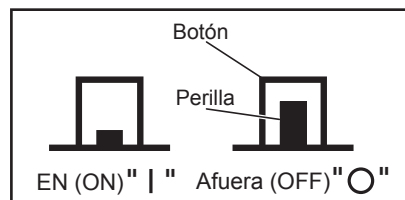
La tapa de tanque de combustible se localiza bajo de la cubierta. Para abrir la cubierta, levanta arriba y hacia el fin del moefle como mostrado en la ilustración. Quite la tapa de tanque de combustible como girando en sentido contrario a las agujas del reloj.

### CUBIERTA DEL LADO: (Fig. 24)

Para conseguir acceso a los artículos siguientes para atender, toma afuera la cubierta aplicable del lado como quitando el tornillo con un destornillador.

LH- Cubierta del Lado- Limpiador de aire, etc.

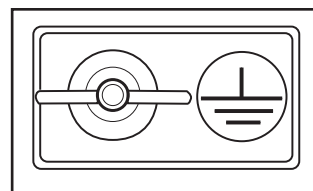
RH- Cubierta del Lado- Indicador de nivel de aceite, rollo de ignición, bujía, etc.



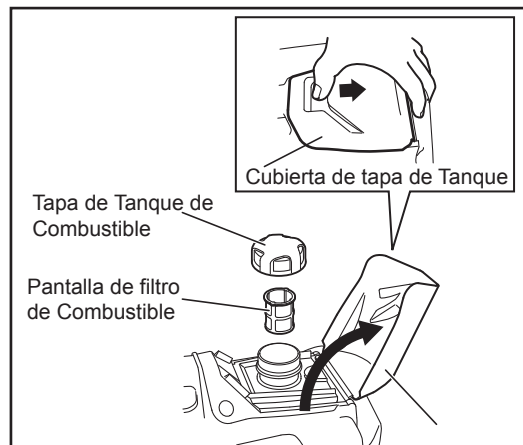
(Fig. 20)



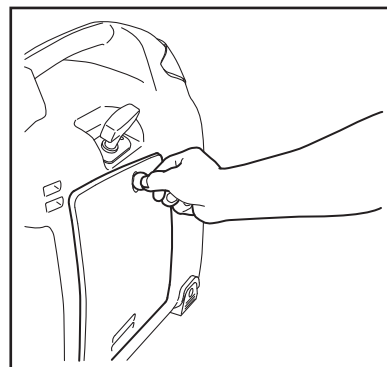
(Fig. 21)



(Fig. 22)



(Fig. 23)



(Fig. 24)

# Preparando la Generador

## INSTRUCCIONES DE CONEXION A TIERRA

Este producto se debe conectar a tierra. Si debe malfunción o avería, la conexión a tierra da una caminata de menos resistencia para corriente eléctrica reducir el riesgo de descarga eléctrica.

**PELIGRO- LA CONEXION IMPROPIA DEL EQUIPO- CONDUCTOR DE TIERRA PUEDE RESULTAR EN RIESGO DE ELECTROCUCION. VERIFIQUE CON UNA PERSONA CALIFICADA DE ELECTRICISTA O SERVICIO SI UD. ES DUDOSO QUE LA UNIDAD SE CONECTE DE TIERRA APROPIADAMENTE.**

La terminal de tierra en el marco siempre debe ser los usos de conectar el generador a una fuente correcta de tierra. El sendero de tierra debe hacer con un #8 alambre del tamaño. Conecte alambre de tierra seguramente a terminal de tierra. Conecte el otro fin del alambre seguramente a una fuente correcta de tierra. (Fig. 1)

El Código Eléctrico Nacional contiene varias maneras prácticas en las que establecer una fuente buena de tierra. Los ejemplos dados debajo de ilustra algunos de las maneras en las que una fuente buena de tierra se puede establecer.

Un caño de agua del metro del metal en contacto directo con la tierra por lo menos de 10 pies se pueden uso como una fuente de tierra. Si un caño está indisponible se puede usar un tubo o barra de 8 pies para la fuente de tierra. El caño debe ser  $\frac{3}{4}$  pulgada de tamaño del comercio o más grande y la superficie exterior debe ser noncorrosivo. Si una barra de acero hierro lo se utiliza debe ser por lo menos  $\frac{5}{8}$  pulgada de diámetro y si una barra no ferrosa lo se utiliza debe ser por lo menos  $\frac{1}{2}$  pulgada de diámetro y es listado como material para conectar a tierra. Maneje la barra o caño a una profundidad de 8 pies. Si un fondo se encuentra menos de 4 pies hacia abajo, entierran la barra o caño en una zanja. Todos instrumentos y aparatos eléctricos operados de este generador deben ser conectar a tierra apropiadamente por el uso de un tercer alambre o son "Aislado Doble."

Es recomendado a :

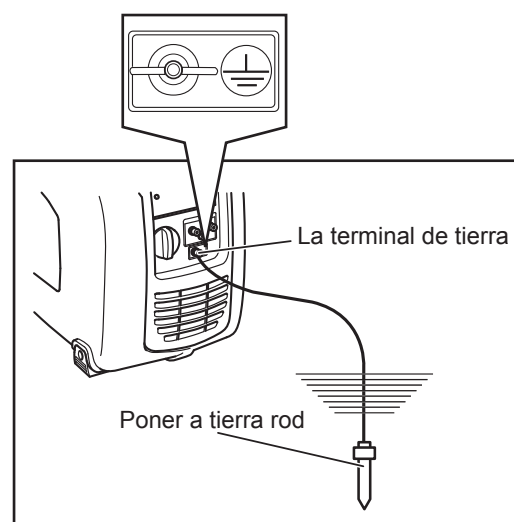
1. Use aparatos eléctricos con cordones eléctricos de tres puntas.
2. Use cordon de extensión con receptáculo de 3 hoyos y tapón de 3 puntas a fines opuestos para asegurar continuado de protección de tierra del generador a aparato.

Es recomendado fuerte de nosotros que todo apicalbe federal, el estado, y las regulaciones locales que relacionan a especificaciones a conectar a tierra sean verificadas y son seguidas.

## INTERRUPTOR DE TRANSFERENCIA DE LINEA

Si este generador se utiliza para el servicio de reserva, debe tener un interruptor de la transferencia entre el servicio del poder de la utilidad y el generador. El interruptor de la transferencia no sólo previene la forma del poder de utilidad que alimenta en el generador, pero previene también la forma del generador que alimenta fuera en las líneas de empresa de servicio público. Este se piensa proteger los empleados de servicio que puede estar trabajando en la línea dañada.

**ESTA INSTALACION DEBE HACER POR UN ELECTRICISTA LICENCIADO O TODOS CODIGOS LOCALES DEBEN SEGUIR.**



(Fig. 1)



## PRE-OPERACION

### ACEITE DE MOTOR:

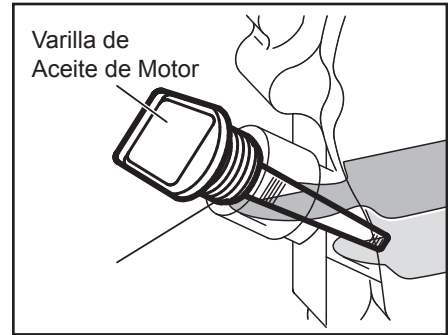
Antes de revisando o rellenando aceite, asegúrese que generador se localizado en superficie nivel y estable con el motor parando.

1. Quite varilla del aceite y revisa nivel del aceite de motor (Fig. 2)
2. Si nivel del aceite esté debajo de línea a nivel bajo, rellena con aceite apropiado a línea a nivel arriba. No atornilla en la varilla de aceite cuando revisando nivel del aceite. (Fig. 3)
3. Cambie aceite si contaminado. (Vea el "Horario de Mantenimiento; Cambiando Aceite de Motor" página 114.)

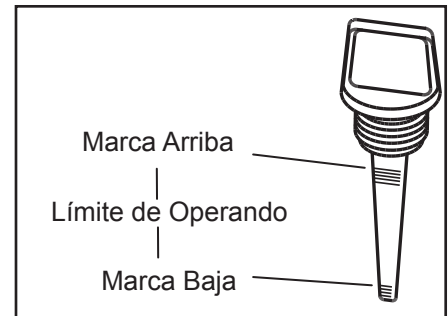
Capacidad del aceite-----0.106 gal. / 0.4 litros

### Aceite de motor que es recomendado:

John Deere Plus-4 aceite es el aceite preferido de usar. Si John Deere Plus-4 no es disponible, use aceite 4-golpe automática de detergente de clase servicio de API o grado más alto (SG, SH, o SJ es recomendado) Si sólo aceite de viscosidad se uso, escoja la viscosidad apropiada para temperatura media en su área. (Fig. 4)



(Fig. 2)



(Fig. 3)

Grado Sencillo	5W						
	10W						
Multigrado	20W						
	#20						
	#30						
Temperatura ambiente	#40						
	10W-30						
	10W-40						
	-20	-10	0	10	20	30	40°C
	-4	14	32	50	68	86	104°F

(Fig. 4)

## PRE-OPERACION

ALIMENTANDO:



**ADVERTENCIA: ¡COMBUSTIBLE EXPLOTABLE! GASOLINA ES MUY INFLAMABLE Y SUS VAPORES PUEDEN EXPLORAR SI ENCENDIERON.**

**MANTENGA GASOLINA SOLO EN CONTENEDORES APROBARON EN EDIFICIOS DESOCUPADOS DE BUEN VENTILACION Y AFUERA DE CHISPAS O LLAMAS.**

**NO RELLENE EL TANQUE DE COMBUSTIBLE MIENTRAS EL MOTOR ESTA CALIENTE O OPERANDO, DESDE QUE EL COMBUSTIBLE ROCIADO PODRIA ENCENDER SI ES CONTACTO CON PARTES O CHISPAS CALIENTES DE LA IGNICION. NO ARRANQUE EL MOTOR CERCA DE ROCIADOS DE COMBUSTIBLE.**

**NUNCA USE GASOLINA COMO UNA AGENTE DE LIMPIANDO.**



**ADVERTENCIA: NO SOBRELLENE EL TANQUE, MANTENGA ESPACIO PARA EXPANSION DE COMBUSTIBLE.**

1. Si nivel de combustible sea bajo, rellene con gasolina automativa sin plomo.
2. Nivel del combustible no debe ser arriba de marcas rojas en porción de entrada. (Fig. 5)
3. Asegúrese que usar pantalla de filtro de combustible en cuello de filtro de combustible. (Fig. 6)

Capacidad de combustible del tanque ---- 0.92 gal /3.5 litros

4. Cuando usando el generador por el primer tiempo o parando debido de nada más combustible, tire la manivela de retroceso muchas veces después de llenando el combustible a marca roja en al porción entrada del tanque del combustible.



**ADVERTENCIA: ASEGURESE PARA REVISAR CADA ADVERTENCIA PARA PREVENIR RIESGO DE FUEGO.**

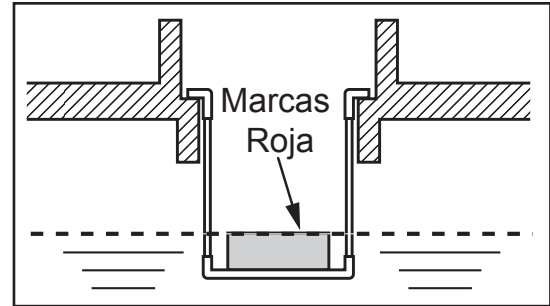
**NO RELLENE EL TANQUE CUANDO EL MOTOR FUNCIONANDO O CALIENTE.**

**ANTES DE LLENANDO COMBUSTIBLE, DOBLA INTERRUPTOR DE MOTOR A POSICION DE “” (PARE).**

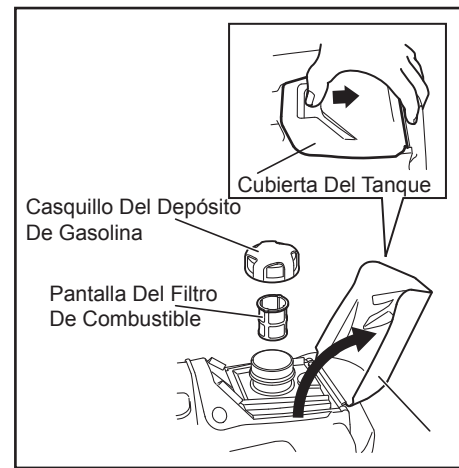
**TEN CUIDADO PARA NO QUITAR POLVO, TIERRA, Y AGUA O OTROS OBJETOS EXTRANJEROS EN EL COMBUSTIBLE.**

**LIMPIE ALGUN COMBUSTIBLE ROCIADO ANTES DE EMPEZANDO EL MOTOR.**

**MANTENGA AFUERA LAS LLAMAS ABIERTAS.**



(Fig. 5)



(Fig. 6)

## PRE-OPERACION

ALIMENTANDO (siguiente):

### Recomendaciones Generales

- Compre gasolina en cantidades pequeñas y mantenga en contenedores aprobados y limpios.
- Para minimizar los depósitos de goma en su sistema del combustible y para asegurar un empuje fácil, no use gasolina de estación pasada.
- No agregue aceite a la gasolina.

### Tipo de Combustible

- Para resultados mejores use sólo gasolina limpia, fresca, y sin plomo y con octano de bomba que valora de 87 o más alto.
- Es recomendado que usar gasolina sin plomo porque dejar menos depósitos de recámara de combustión.

### MEZCLAS DE GASOLINA / ALCOHOL:

Gasohol ( a 10% alcohol de etilo, 90% gasolina sin plomo de volumen) se aprueba como un combustible. Otras mezclas de gasolina / alcohol no se aprueban.

### MEZCLAS DE GASOLINA / ETER:

Mezclas de metilo éter terciario de Butilo y Gasolina sin plomo ( a máxima de 15% MTBE de volumen) se apruebe como combustible. Otras mezclas de gasolina y éter no se aprueben.

## PRE-OPERACION

REVISE PARTES DE COMPONENTE:

**Revise los artículos siguientes antes de empezando el moto:**

1. Escape de combustible de manguera de combustible, etc.
2. Tornillos y tuercas para aflojado.
3. Componentes para daño y roturas.
4. Generador no descansando o en contra de alga alambre adyacente

REVISE ALREDEDORES DE GENERADOR:

Cuando escuchando a radio cerca de generador, el sonido de radio puede perturbar porque de condición de olas de radio y función de radio.

**Asegúrese que revisar cada advertencia para prevenir riesgo de fuego.**



**ADVERTENCIA: MANTENGA AREA LIMPIE DE MATERIALES INFLAMABLES Y DE RIESGO.**

**MANTENGA GENERADOR MAS DE 3 PIES (1 METRO) AFUERA DE EDIFICIOS O OTRAS ESTRUCTURAS.**

**SOLO OPERE GENERADOR EN AREAS SECAS Y CON BUEN VENTIACION.**

**MANTENGA CANO DE ESCAPE VACIA DE OBJETOS EXTRANJEROS.**

**MANTENGA GENERADOR FUERA DE LLAMAS ABIERTAS. ¡NO FUME!**

**MANTENGA GENERADOR EN SUPERFICIE ESTABLE Y NIVEL.**


**NO BLOQUEA RESPIRADEROS DE GENERADOR CON PAPEL NI OTRA MATERIAL.**

# Operación

## OPERACIÓN

EMPEZANDO EL GENERADOR:


**PRECAUCIÓN REVISE EL NIVEL DEL ACEITE ANTES DE CADA OPERACION COMO MOSTRADO EN PAGINA 105.**


1. Asegúrese que todos aparatos son desconectados de generador.
2. Doble interruptor de motor a posición de “| |” Choke (fig 7) (Cuando motor esté tibio o temperaturas sea altas, empiece motor con interruptor a posición de “” (Funcione).

**PRECAUCIÓN: NO CONECTE APARATOS CON LINEAS O TAPONES DEFECTOS.**

**ASEGURESE QUE APARATOS NO SON CONECTOS A GENERADOR CUANDO EMPEZANDO. EMPEZANDO EL GENERADOR CON APARATO CONECTADO PUEDE RESULTAR EN DAÑO A GENERADOR Y / O APARATO Y LESIONES PERSONALES.**

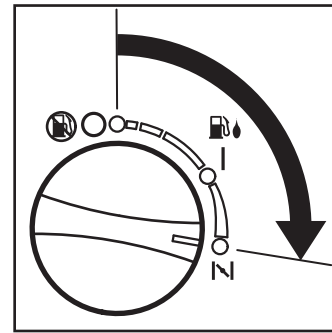
3. Tire manivela de empezar de retroceso, despacio hasta pasar punta de compresión (resistencia será sentía), entonces volver a manivela a su posición original y tire fuerte. (Fig. 8)
4. Después de empezando, permite la manivela de empezar de retroceso a volver a posición original con manivela en su mano.

**NOTA:** *So el motor falla a empezar después de muhas tentativas, repita los procedimientos de empezar que mencionado arriba con interruptor de motor esté en posición de “” FUNCIONE.*

5. Después de 20 o 30 segundos de calentarse, doble interruptor de motor a posición de “” FUNCIONE. (Fig. 9)
6. Asegúrese que lámpara de salida arranque. Este es un indicador que el generador está operando correcto.

**NOTA:** *Consulte por favor con un comerciante autorizado de John Deere si la lámpara de salida está apagada durante la operación apropiada.*

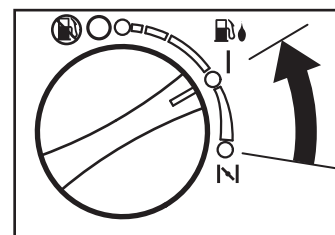
7. Examine recipiente de GFCI en la unidad. Empuje el botón de exam. El botón de colocar debe saltar y no debe tener potencia al recipiente. Aplique una carga de examinar o luz a cada recipiente para verificar. SI BOTÓN DE COLOCAR NO SALTE, NO USE LOS RECIPIENTES. VEA CONCESIONARIO PARA SERVICIO INMEDIATAMENTE.
8. Si recipientes examine correcto, empuje el botón de colocar para restablecer potencia. Debe oír o sentir un taconazo distinto cuando este es completo. SI RECIPIENTES NO COLOCAR CORRECTO, NO USE RECIPIENTES. VEA CONCESIONARIO.



(Fig. 7)



(Fig. 8)



(Fig. 9)

## OPERACIÓN

USANDO ENERGIA ELECTRICA:



**ADVERTENCIA- ASEGURESE QUE APARATO ES DESCONECTADO ANTES DE CONECTARLO AL GENERADOR.**

**NO MUEVA EL GENERADOR MIENTRAS FUNCIONARLO.**

**ASEGURESE CONECTAR A TIERRA EL GENERADOR. FALLA DE CONECTANDO A TIERRA LA UNIDAD PUEDE RESULTAR EN DESCARGA ELECTRICA.**

APLICACION DE AC:

1. Asegúrese que la lámpara de salida arranque.
2. Apague interruptor(es) de aparatos eléctricos antes de conectando el generador.
3. Inserte los tapones de aparatos eléctricos entre receptáculo. (Fig. 10)
  - Usando Tabla 1, revise tapon de aparato para compatibilidad con receptáculo de generador.
  - Asegúrese que vataje total de aparatos conectados no es más de salida valorador de generador, vea especificaciones en página 111.



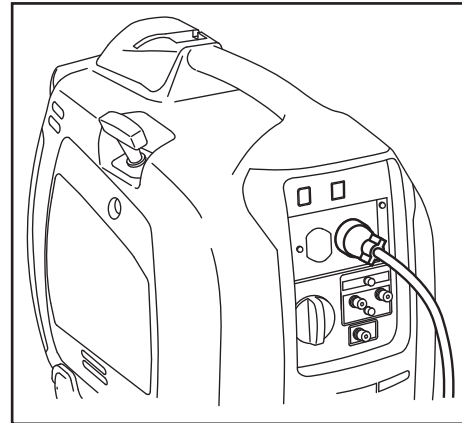
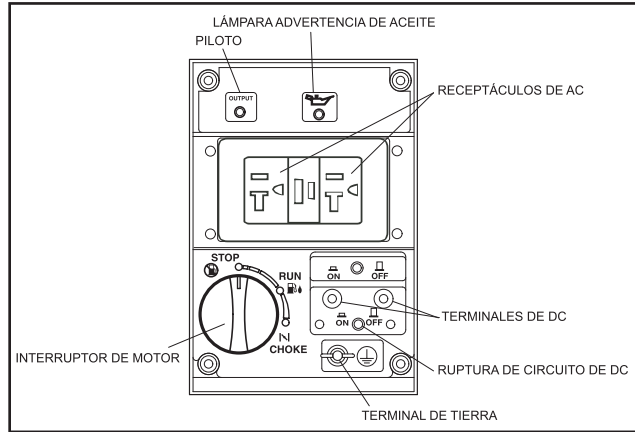
**ADVERTENCIA: ASEGURESE QUE CONECTAR A TIERRA EL GENERADOR SI APARATO CONECTADO Y ELECTRICO ES CONECTAR A TIERRA.**

**NOTA:** *El generador es equipado con una sobrecarga. Si el generador apague durante operación, el generador sería sobrecarga o el aparato puede ser defectivo.*

*Pare el generador inmediatamente, revise el aparato y / o generador para sobrecargando y repare como necesario por un comerciante autorizado de John Deere.*

4. Arranque el interruptor del aparato.

### PANEL DE CONTROL



(Fig. 10)

Moda	Receptáculo	Tapón de AC		Descripción
	NEMA 5-20R	NEMA 5-15P	NEMA 5-20P	GFCI – Interruptor de Circuito de falla de Tierra, Receptáculo, doble

Tabla 1

## OPERACIÓN

### APLICACION DE DC:

Terminal de DC sea usado sólo para cargando baterías de 12 voltios. Proveerlo a 12 V – 8.3A (100W) de potencia máxima. (Fig. 11)

### CONEXION DE CABLE:

Conecte terminal (roja) positiva en generador a terminal (+) positiva en batería.

Conecte terminal (negra) negativa en generador a terminal (-) negativa en batería.

AC y DC salida se puede usar en el mismo tiempo si salida total está dentro salida valorada del generador.

### PRECAUCIONES DE SEGURIDAD CUANDO CARGANDO:




**ADVERTENCIA: UN GAS EXPLOSIVO DEL HIDROGENO SE DESCARGA POR BATERIA DE HOYOS DE RESPIRADOR DURANTE PROCESO DE CARGAR. NO PERMITA LA CHISPA NI LLAMAS ABIERTAS ALREDEDOR DEL GENERADOR NI LA BATERIA DURANTE EL PROCESO DE CARGAR.**

**LIQUIDO DEL ELECTROLITO PUEDE QUEMAR OJOS Y ROPA. SEA MUY CUIDADOSO Y EVITE CONTACTO. SI HERIDO, LAVA EL AREA AFECTADA INMEDIATAMENTE CON CANTIDADES GRANDES DE AGUA Y CONSULTE UN MEDICO PARA TRATAMIENTO.**

Quando cargando una batería de grande capacidad o batería totalment descargada, corriente excessivo puede forzar la ruptura de DC a apagar.

Defectos de batería causaría tropezar de ruptura de DC. Revise la batería antes de reponer la ruptura de DC.

### PARANDO EL GENERADOR:

1. Apague interruptor de potencia de equipo eléctrico y quite cordón del receptáculo del generador
2. Permite sobre 3 minutos para enfriar de motor y no cargue antes de parar.
3. Dobla interrputor de motor a posición de “” PARAR (Vea Fig. 12)

### SENSOR DEL ACEITE:

El sensor del aceite detecta la caída en nivel del aceite en cigüeñal y para automáticamente el motor cuando el nivel del aceite cae debajo de un nivel predeterminado.

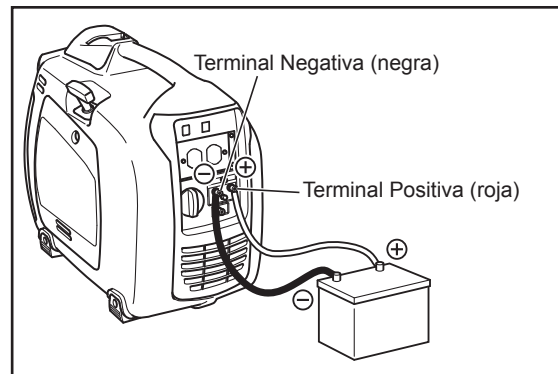
Quando el motor para automáticamente, apague el generador y revise el nivel del aceite. Rellene aceite de motor a nivel arriba con instruido en página 102 y vuelva a encender el motor.

Si el motor no empieza como usando procedimientos normales, revise nivel del aceite.

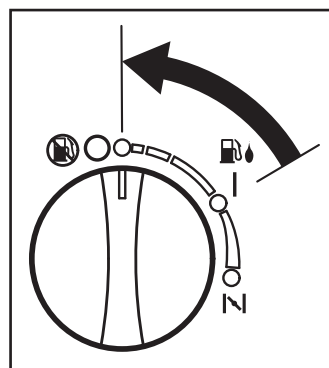


**PRECAUCIÓN: NO quite sonda de sensor del aceite cuando rellenando con aceite.**

**quite cubierta de llenar en lado opuesto de carburador.**



(Fig. 11)



(Fig. 12)

## OPERACIÓN

### INFORMACION DE VOLTAJE:

Algunos aparatos necesitan una “oleada” de energía cuando empezando. Este significa que la cantidad del poder eléctrico necesitado para empezar el aparato puede exceder la cantidad necesario para mantener su uso.


Aparatos eléctricos y herramientas vienen normalmente con un etiqueta que indica voltio, ciclos/Hz, amperios, y potencia eléctrica que necesitar para operar el aparato o herramienta.

Verifique con comerciante más cerca o centro de servicio con preguntas de oleadas de energía de aparatos específicos o herramientas.

- Cargas eléctricas como lámparas incandescentes y platos calientes requieren el mismo voltaje para empezar es necesitado como mantener el uso.
- Cargas como lámparas fluorescentes requieren 1,2 o 2 veces el voltaje indicado durante arranque.
- Cargas de lámparas de mercurio requieren 2 o 3 veces el voltaje indicado durante arranque.
- Motores eléctricos requieren corriente grande de empezando. Requisitos del poder dependen del tipo del motor y su uso. Una vez que suficiente “oleada” se alcanza para empezar el motor, el aparato requerirá sólo 30 % a 50 % de voltaje para seguir operando.
- La mayoría de herramientas eléctricas requieren 1,2 a 3 veces su voltaje para operando abajo de carga durante uso.
- Cargas como bombas sumergidos y compresores de aire requieren una fuerza grande para empezar. Necesitan 3 a 5 veces voltaje operado normal para empezar.

**NOTA:** El gráfico siguiente del voltaje es una guía general sólo. Refiérase a su aparato específico para el voltaje correcto.

Para determinar el voltaje total que requirió a operar un aparato o herramienta, multiplique la figura de voltaje de aparato / herramienta por figura de amperaje se pueden encontrar en el plato de nombre que es conectado normalmente a aparatos y herramientas eléctricas.

 **PRECAUCIÓN: SI MOTOR ELECTRICO FALLA ARRANCAR O ALCANZAR VELOCIDAD DE OPERANDO, APAQUE EL APARATO O HERRAMIENTA INMEDIATAMENTE PARA EVITAR DAÑO AL EQUIPO. SIEMPRE REVISAR REQUISITOS DEL APARATO O HERRAMIENTA QUE USANDO EN COMPARACION DE VALORADA DE SALIDA DEL GENERADOR.**

Aplicaciones	Voltaje Aplicable (W) 60 Hz
Lámpara incandescente, calentadora	aprox. 900
Lámpara fluorescente, Herramienta eléctrica	aprox. 450
Lámpara de mercurio	aprox. 250
Bomba de Compresor	aprox. 200



**OPERACIÓN****TAMANO DE CABLE:**

Cuando usar un largo cordon de extensión para conectar aparato o herramienta al generador, una cantidad específica de caída de voltaje o pérdida ocurre en cordon de extensión que reducir el efectivo de voltaje disponible para el aparato o herramienta. El gráfico debajo ha preparado para ilustrar la pérdida aproximada del voltaje cuando un cordon de extensión de 300 piese (100 metros) se usado para conectar un aparato o herramienta al generador.

Daño al equipo puede resultar de voltaje baja. Entonces, para prevenir la caída excesiva de voltaje entre generador y equipo, el cable debe tener del calibrador adecuado para la longitud usado. La sección del cable del gráfico da las longitudes máximas de cable para varias calibradores de alambre que puede llevar adecuadamente las cargas mostradas.

CORRIENTE EN AMPERIOS	CARGA EN VOLTIOS		LONGITUD MAXIMA DE CALBE (PIES)				
	120 VOLTIOS	240 VOLTIOS	#8 ALAMBRE	#10 ALAMBRE	#12 ALAMBRE	#14 ALAMBRE	#16 ALAMBRE
2.5	300	600		1000	600	375	250
5	600	1200		500	300	200	125
7.5	900	1800		350	200	125	100
10	1200	2400		250	150	100	50
15	1800	3600		150	100	65	
20	2400	4800	175	125	75	50	
25	3000	6000	150	100	60		
30	3600	7200	125	65			
40	4800	9600	90				

## OPERACIÓN

### ARRESTADOR DE CHISPA:

Es recomendado usar el producto con arrestador de chispa en áreas secas o con muchos arboles. Algunas áreas requieren el uso de arrestador de chispa. Verifique por favor con leyes locales y regulaciones antes de operando su producto.

El arrestador de chispa debe ser limpiado regularmente para mantenerlo y para puede funcionando como diseñado.

#### Arrestador de chispa atascado:

- Prevenir el flujo de gases de exhausto
- Reducir salida de motor
- Aumentar consumo de combustible
- Causar dificultad de arranque



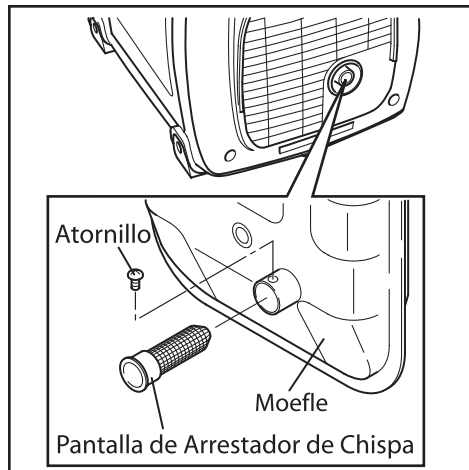
**PRECAUCIÓN: SI MOTOR HA OPERANDO, EL MOEFLE Y ARRESTADOR DE CHISPA SERAN MUY CALIENTES. PERMITA EL MOEFLE TIEMPO PARA ENFRIARSE ANTES DE LIMPIANDO ARRESTADOR DE CHISPA.**

Como quitar el arrestador de chispa (Fig. 13):

1. Quite tornillos de reborde de cubierta de moefle y quite cubierta de moefle.
2. Quite atornillo especial de arrestador de chispa y quite el arrestador de chispa del moefle.

Limpie Pantalla de Arrestador de Chispa (Fig. 14):

1. Use una cepilla para quitar depósitos de carbón de pantalla de arrestador de chispa. Ten cuidado que no da daño a pantalla.
2. Arrestador de chispa debe ser libre de fracturas y hoyas. Reemplace arrestador de chispa si tiene daño.
3. Instale arrestador de chispa y protector de moefle en orden inversa del desasambla.



(Fig. 13)



(Fig. 14)

# Localización de Fallas

Quando el motor de generador falla de empezar después de varias tentativas o si ninguna electricidad está disponible en enchufe de salida, verifique el gráfico siguiente. Si su generador falla todavía empezar o engendrar electricidad, contacte su más cerca comerciante de John Deere o tienda de servicio para información adicional o procedimientos correctivos.

## Síntoma

**El motor no arranque.**

## Problema

Revise si interruptor de motor está apagado.

Tanque de combustible está vacío.


Revise para asegurar que generador no está conectado a un aparato.

Revise tapón de chispa para cubiertas sueltas de bujía.

Revise bujía para contaminación.

Revise nivel del aceite de motor.

## Soluciones

Dobla interruptor del motor a posición “” de CHOKE.

Llene tanque pero no rellenar tanque.

Si conectado, apague interruptor de potencia en aparatos conectados y desconectar.

Si sueltos, empuje cubierta de bujía en lugar.

Quite bujía y limpie electode.

Si nivel del aceite de motor está baja, agregue aceite como “Pre-Operación; Aceite de Motor” en página 101.

**Generador no tiene salida.  
(Lámpara de salida está encendido)**

Revise rupturas de AC y DC.  
Revise si DC ruptura de circuito está apagado.

Revise que si motor arranque con aparatos conectados al generador.

Potencia Baja.

Deprima rupturas de circuito en la posición de Arranque, después de asegurarse el nivel de energía eléctrica está correcta y aparatos eléctricos están en condición normal.

Apagado aparato y desconecte el cable del receptáculo. Reconecte después de generador ha encendido correcto.

Cepillas de carbón son llevados excesivamente, contacte un comerciante autorizado o centro de servicio de John Deere.

**Generador no tiene salida.  
(Lámpara de salida está apagado)**

Contacte un centro de servicio autorizado de John Deere o el comerciante.

# Servicio

## MANTENIMIENTO DEL GENERADOR

Mantenimiento, reemplazo, o reparación de los dispositivos del control de la emisión y sistemas deben ser preformados por un centro de reparaciones autorizado de John Deere o el comerciante.

### INSPECCION DIARIA:

Antes de operando generador, revise los artículos de servicios siguientes:

- Escape de gasolina y aceite de motor.
- Receptáculos de AC y terminales de DC para daño.
- Vibración excesiva y sonido.
- Tornillos, tuercas, o protectoras sueltas o rompidos.
- Elemento de aire limpiado.

### MANTENIMIENTO PERIODICA:

Mantenimiento periódica es esencial para operación segura y eficiente de su generador.

Verifique la Tabla de Mantenimiento Periódica para intervalos de mantenimiento.

***NOTA: REEMPLAZO, REPARACION, Y AJUSTADO DE ESTES COMPONENTES DEBE SER PREFORMADOS DE CENTRO DE REPARACIONES AUTORIZADO DE JOHN DEERE O EL COMERCIANTE.***

La sistema de control de emisión consiste de las partes siguientes:

- carburador y partes internas
- sistema fría de enriquecimiento de encender, si aplicable
- colector de entrada , si aplicable
- elemento de limpiador de aire
- bujía
- magneto o sistema electrónico
- avance de chispa / sistema tarde , si aplicable
- colector de exhausto, si aplicable
- mangueras, cinturones, conectadores, y ensamblajes

## MANTENIMIENTO DEL GENERADOR

### TABLA DE MANTENIMIENTO PERIODICA:

El horario de mantenimiento indicado en tabla se basa en operación normal del generador. Debe el generador sea operado en la condición muy polvorienta o en la carga más pesada la condición, los intervalos de mantenimiento se deben acortar dependiendo de la contaminación del aceite, elementos atascadgo de filtro, el uso de partes y más.

Artículo de Mantenimiento	Cada 8 horas (Diaria)	Cada 20 horas	Cada 50 horas (semanal)	Cada 100 horas	Cada 200 horas (mensual)	Cada 500 horas	Cada 1000 horas
Limpie generador y revise tornillos y tuercas	•						
Revise y Rellene aceite de motor.	• (Rellene diariamente a nivel arriba)						
Receptáculos de AC.	•						
Terminal de DC	•						
Interruptor de Motor	•						
Limpie elemento de aire limpie			•				
Limpie bujía			•				
Cambie aceite de motor *		• ( inicial)		•			
Arrestador de chispa				•			
Reemplace elemento de aire					•		
Limpie filtro de combustible					•		
Limpie y ajuste bujía y electrodos					•		
Reemplace bujía.						•	
Quite carbón de cabeza de cilindro. **						•	
Revise y ajuste espacio de válvula. **						•	
Limpie y ajuste el carburador. **						•	
Limpie y reemplace cepillas de carbón.**						•	
Arregle motor. **							•
Rotor **							•
Stator **							•
Reemplace el monte de motor. **							•
Reemplace líneas de combustible. **							Anual

\* **NOTA:** El cambio de aceite intial se debe preformar después de las primaras veinte (20) horas de operación. Después cambia el aceite cada cien (100) horas. Antes de cambiar el aceite, revise para una manera conveniente de hacerse aceite viejo. Sus regulaciones locales y ambientes le darán más información y instrucciones de disposición apropiada.

\*\***NOTA:** Con los procedimientos estos artículos, contacte su comerciante autorizado de John Deere.

## MANTENIMIENTO DEL GENERADOR

### CAMBIANDO ACEITE DE MOTOR:

Cambie aceite después de las primeras veinte (20) horas de operación. Después debe cambiar cada 100 horas.

1. Vacíe aceite como quitando tapón de vaciar y cubierta del filtro de aceite mientras el motor está caliente. (Fig. 15)
2. Reinstale tapón de vaciar y llene el motor con aceite hasta esté en nivel arriba en cubierta de filtro del aceite.

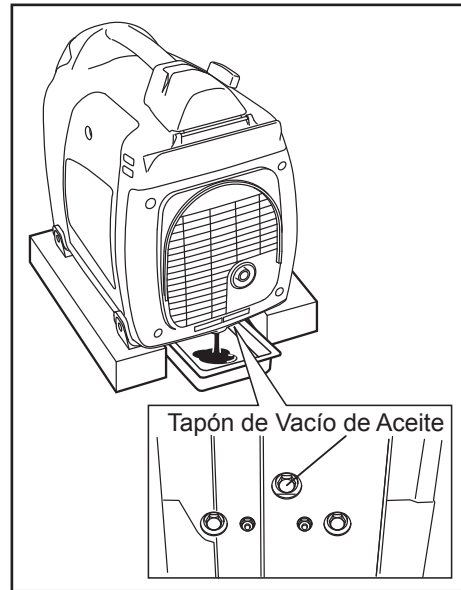
**NOTA:** *John Deere Plus – 4 es el aceite preferido de usar. Si John Deere Plus-4 no es disponible, use aceite 4-golpe automática de detergente de clase de servicio de API o grado más alto (SG, SH o SJ es recomendado). Si aceite contaminado o viejo fue usado o cantidad de aceite no es suficiente, el daño de motor resultaría y su vida cortará.*

3. Dehágase aceite usado según regulaciones locales y ambientes.

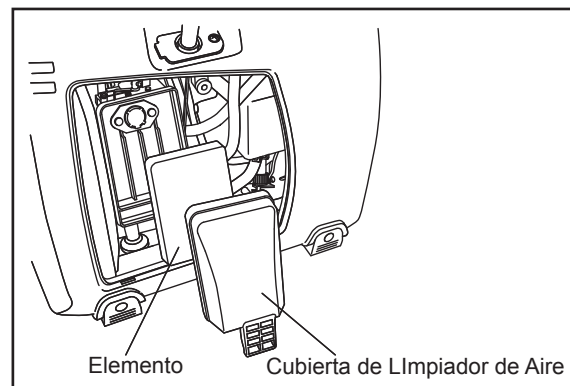
### ATENDIENDO EL LIMPIADOR DE AIRE:

Mantenga de limpiador de aire en condiciones correctos es muy importante. Polvo que entrar de elementos instalados incorrectos o atendido incorrecto puede danar y llevar los motores. Siempre mantenga el elemento limpio. (Fig. 16)

1. Desconecte la cubierta y quite elemento de limpie.
2. Espuma de urethane: Limpie el elemento con agua fresco. Apriete fuera agua y luego seca el elemento. (No tuerza).



(Fig. 15)



(Fig. 16)

## MANTENIMIENTO DEL GENERADOR

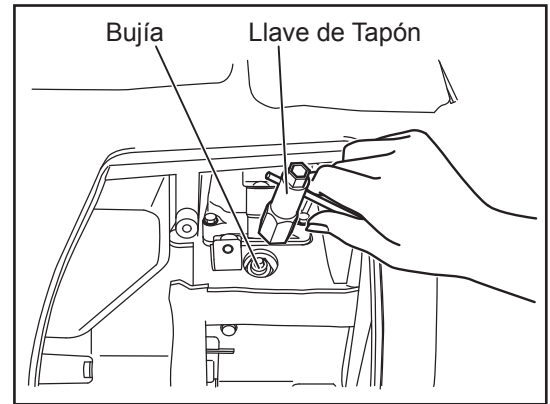
### LIMPIANDO Y ESPACIANDO BUJIA:

Si tapón es contaminado con carbón, quite carbón usando un limpiador de tapón o cepilla de alambre. (Fig. 17)

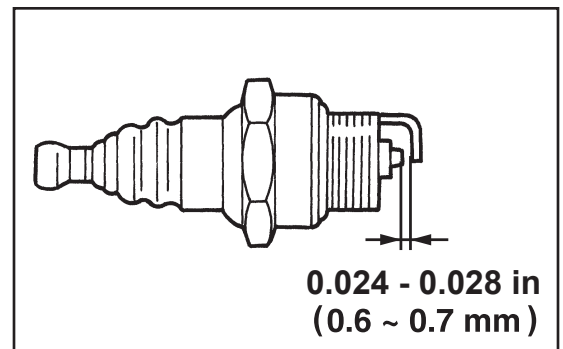
Ajuste espacio de electrod a 0.6 a 0.7 mm (0.024 a 0.028 pulgadas). (Fig. 18)

Bujía Recomendado:

Bujía -----NGK BMR4A Campeón



(Fig. 17)



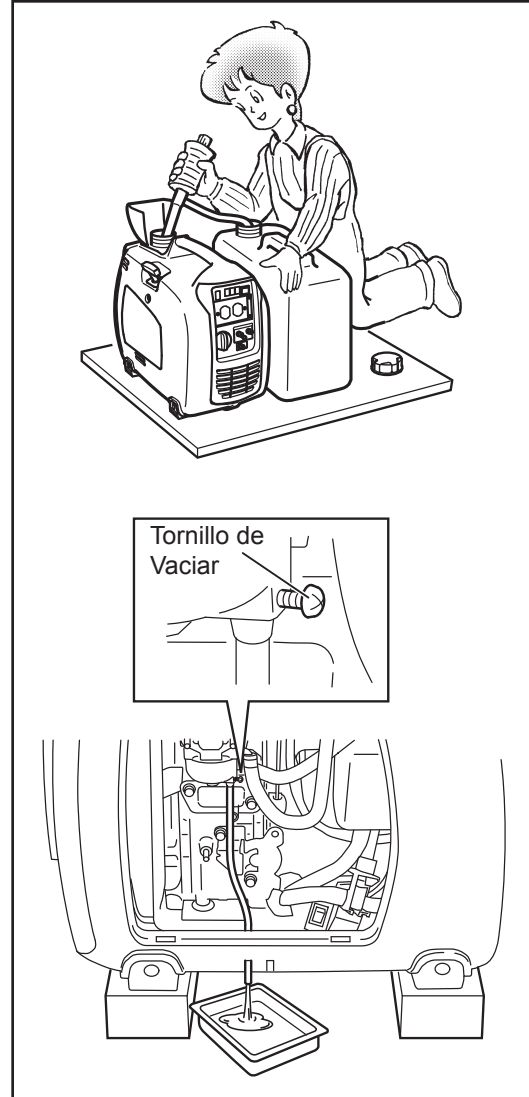
(Fig. 18)

# Almacenamiento

## ALMACENAMIENTO DE GENERADOR

Los procedimientos siguientes deben seguir antes de almacenamiento de generador de tiempos de 6 meses o más.

1. Vacie combustible de tanque de combustible con cuidado como desconectando la línea de combustible. Gasolina dejada en tanque de combustible deteriorará y se haciendo arranque de motor difícil.
2. Cuando vaciando combustible de tanque de combustible, es mejor para usar bomba de mano y poner entre puerto de rellenando. No inclinar unidad para vaciar combustible.
3. Quite tornillo de vaciar de carburador. (Fig. 19)
4. Cambie aceite de motor.
5. Revise atornillos sueltos y tornillos, apretelos si necesario.
6. Limpie generador en total con ropa limpia. ¡NUNCA USE AGUA PARA LIMPIAR GENERADOR!
7. Tire empezando retroceso hasta sentir resistencia, saliendo manivela en esta posición.
8. Mantenga generador en área de buena ventilación y humedad baja.



(Fig. 19)



# Especificaciones

## ESPECIFICACIONES

ARTÍCULO	ESPECIFICACIÓN
ALTERNADOR.....	2 poste , Campo Moviendo, Independiente, Etapa Sencilla, AVR Tipo de Cepilla
Frecuencia.....	60 Hz
Voltaje Valorado.....	AC 120V
Salida Valorado.....	900 VA (0.9 kVA)
Amperios Valorado.....	7.5 A
Factor de Potencia Valorado.....	1.0
Salida de DC.....	12V @ 8.3A
Protector de Corriente .....	Ruptura del circuito
SISTEMA DE TIERRA .....	Tierra Neutral
MOTOR.....	Aire-Fría de Fuerza, 4 ciclo, OHV Motor de Gasolina
Deseemplace.....	5.24 cu. in. (85.8 mL)
Combustible.....	Gasolina Automotivo sin Plomo
Capacidad de tanque de combustible (gal./L) .....	0.93 / 3.5
Operación continuado Valorado.....	3.5 horas (aprox.)
Sistema de Arranque .....	Arrancador del retroceso
DIMENSIÓN.....	Longitud 19.3 pulgada (490 mm) Ancho 11.6 pulgada (295 mm) Altura 17.5 pulgada (445 mm)
PESO SECO.....	56.1 peso (25.5kg)
ESPACIO DE VÁLVULA (entrada y exhausto) (pulgada / mm).....	0.0039±0.0012 / 0.1±0.03 <b>NOTA:</b> Ajuste espacio de válvula de mientras motor esté fría.
TIEMPO DE EMISIONES DURABLES.....	250 horas (Sólo en California)



## ANOTE NÚMERO SERIE

Escriba número de modelo, numero serie de máquina (vea etiqueta de número serie (A) en ilustración y fecha de compra en espacios abajo. Su concesario necesita esta información cuando ordenando partes.

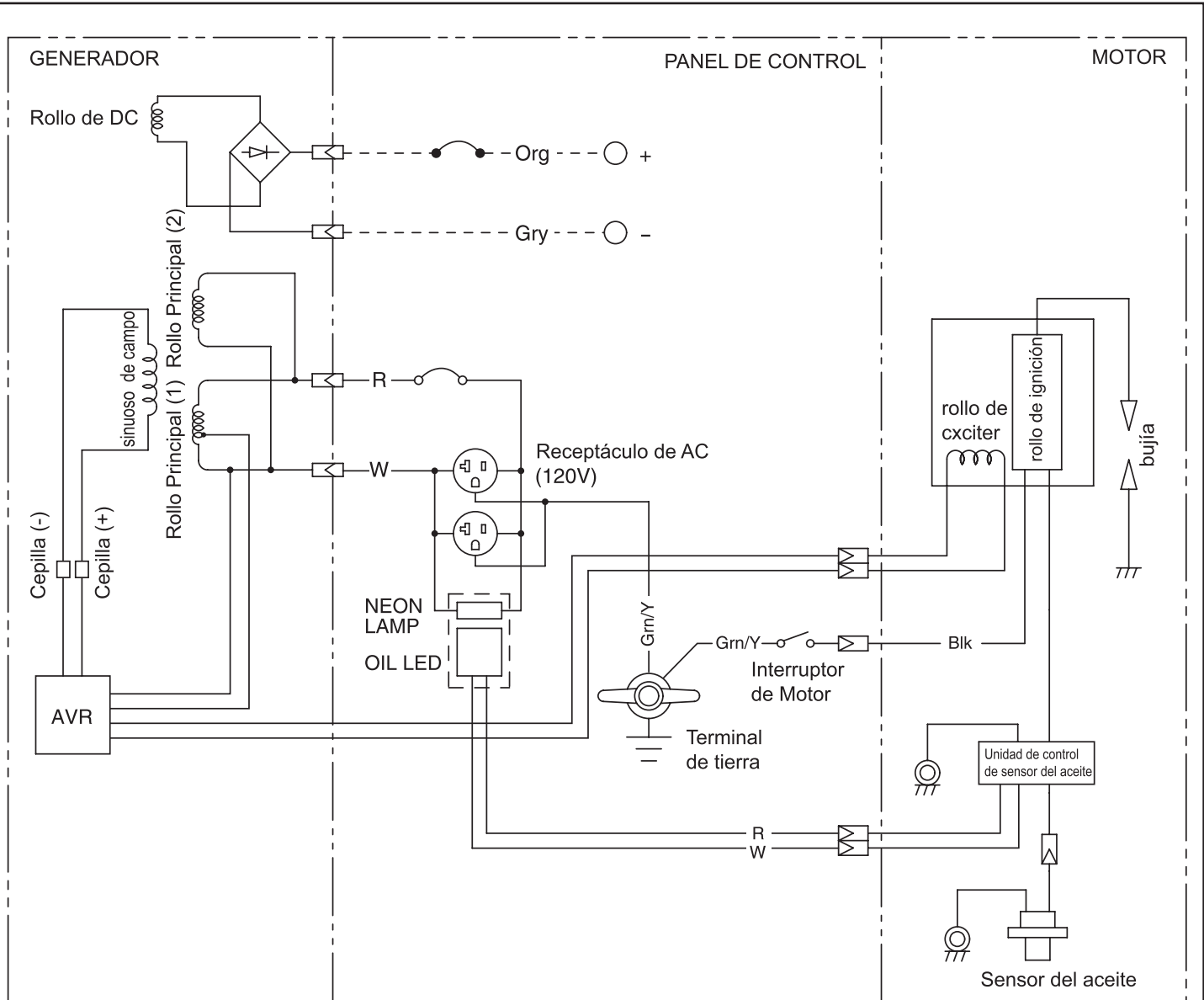
Num. de modelo \_\_\_\_\_

Num. serie de máquina \_\_\_\_\_

Fecha de compra \_\_\_\_\_  
(llene de comprador)

<input type="checkbox"/>	FOR ELECTRICAL EQUIPMENT ONLY	NOTICE 1. DO NOT USE IN RAIN OR SNOW. 2. DO NOT USE INDOORS DUE TO DANGER OF CARBON MONOXIDE POISONING.
	POUR ACCESSOIRES ELECTRIQUES	AVIS 1. NE PAS UTILISER QUAND IL PLEUT OU IL NEIGE. 2. NE PAS UTILISER À L'INTÉRIEUR PAR SUITE DU DANGER CAUSÉ PAR L'OXYDE DE CARBONE.
<ul style="list-style-type: none"> <li>• AC: 120V 60Hz 1Φ RATED 900VA</li> <li>• DC: 12V 8.3A 100W</li> <li>• Insulation system _____ B</li> <li>Système d'isolement _____</li> </ul>		<ul style="list-style-type: none"> <li>• Maximum ambient temperature _____ 40°C (104°F)</li> <li>Température ambiante maximum _____</li> <li>• Lubricant _____</li> <li>Lubrifiant _____ 0.4L (0.85pt)</li> </ul>
 <b>JOHN DEERE</b> MADE IN JAPAN		HR-G1100

# Diagrama de alambre



## Códigos de colorante del alambre

Blk : negro	LBlu : azul ligero	Gm : verde	Gry : gris	Y : amarillo	Pur : morrado
Blk/W : negro / blanco	Brn : marrón	Gm/W : verde/ blanco	R : rojo	W/Blk : blanco / negro	
Blu : azul	Brn/W : marrón / blanco	Org : anaranjado	W : blanco	Gm/Y : verde / amarillo	

# Garantía

## DECLARACIÓN DE GARANTÍA

John Deere garantiza que todas las piezas (excepto aquellas a las que se hace referencia abajo), de su nueva generador libres de defectos en materiales y mano de obra durante los periodos siguientes:

Por dos (2) año a partir de la fecha original de compra.

Las piezas defectuosas que no están sujetas a deterioro causado por el uso serán reparadas o reemplazadas a nuestra opción durante el periodo de garantía. En todo caso, el reembolso está limitado al precio de compra pagado.

### EXCLUSIONES

1. El motor está cubierto bajo una garantía por separado que su respectivo fabricante ofrece y queda sujeto a los términos establecidos en dicha garantía.
2. Esta garantía no cubre las piezas que son dañadas debido al desgaste normal, aplicación incorrecta, uso erróneo, operación en otro que recomendado. La falta de seguir funcionar recomendado y los procedimientos de mantenimiento anular la garantía también.
3. El uso de otras piezas de reparación genuinas del fabricante anulará la garantía.
4. Las piezas vueltas, pagado por adelantado a nuestra fábrica o a un centro de servicio autorizado de John Deere serán examinadas y reemplacen gratuitamente si estan encontradas para ser defectuosas y conforme a garantía. No hay garantías que extienden más de la descripción de la cara de esto. Debajo de ningunas circunstancias el fabricante tendrá algo responsabilidad de perdida de uso de la unidad, la perdida de tiempo o de alquiler, la inconveniencia, la perdida comercial o los daños consecuentes.

PARA SERVICIO O CONSIDERACION DE LA GARANTIA CONSULTE CON:  
Mi-T-M® Corporation/8650 Enterprise Drive, Box 50/Peosta, IA 52068-0050  
Telefono: 1-877-JD-KLEEN / (1-877-535-5336) Fax: 563-556-1235  
Lunes - Viernes 8:00 a.m. - 5:00 p.m. CST

